

# ECS-B-122X109-L-UV-V GY - Electronics housing



1054702

<https://www.phoenixcontact.com/us/products/1054702>

Please be informed that the data shown in this PDF document is generated from our online catalog. Please find the complete data in the user documentation. Our general terms of use for downloads are valid.

Snap-in locking vented enclosure of the ECS Family. IP66/IP67/IP68/IP69 rated when mated with associated faceplate. Color: Gray (7042), Width: 172 mm, Height: 116 mm, Depth: 64 mm



## Your advantages

- Housing design supports the installation of a range of PCB thicknesses for high application diversity
- Integrated pressure compensation membrane for fluctuating ambient pressures
- Optional accessories for wall and mast mounting
- Proven PCB connection technology
- Integrated tamper protection
- Effective protection of electronics against thermal and mechanical influences
- Suitable for outdoor/indoor applications

## Commercial data

Item number	1054702
Packing unit	5 pc
Minimum order quantity	5 pc
Sales key	AC04
Product key	ACFDAA
GTIN	4055626690919
Weight per piece (including packing)	266.2 g
Weight per piece (excluding packing)	266.2 g
Customs tariff number	84879090
Country of origin	US

## Technical data

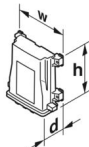
### Notes

Assembly note	Please observe the application note in the download area.
Degree of protection	The specification for IP protection applies to the item combination ECS-B-... in conjunction with an unaltered ECS-P...-B front panel.
Degree of protection	When using front panels with connection technology, the IP protection class of the connection technology determines the protection class of the overall solution.
Recommendation	Further information and detailed dimensions are available in the download area.

### Product properties

Product type	Housing
Housing type	Outdoor housing
Housing type	Outdoor housings
Housing series	ECS
Product family	ECS..122X..L..
Battery compartment	no
Ventilation	integrated pressure compensation membrane

### Dimensions

Dimensional drawing	
Width	172 mm
Height	116 mm
Depth	64 mm

### PCB design

PCB thickness	1.57 mm ... 2.36 mm
---------------	---------------------

### Material specifications

Color (Housing)	gray (RAL 7042)
Material Housing	PC
Flammability rating according to UL 94	V0

### Environmental and real-life conditions

#### Vibration test

Specification	IEC 60068-2-6:2007-12
Frequency	10 - 2000 - 10 Hz
Sweep speed	1 octave/min

1054702

<https://www.phoenixcontact.com/us/products/1054702>

Acceleration	15g (61.6 Hz ... 2000 Hz)
Test duration per axis	2.5 h
Test directions	X-, Y- and Z-axis

## Glow-wire test

Specification	IEC 60695-2-11:2014-02
Temperature	850 °C
Time of exposure	30 s

## Mechanical strength / tumbling barrel

Specification	IEC 60068-2-31:2008-05
Height of fall	50 cm
Frequency	50

## Shocks

Specification	IEC 60068-2-27:2008-02
Pulse shape	Semi-sinusoidal
Acceleration	50g
Shock duration	11 ms
Number of shocks per direction	3
Test directions	X-, Y- and Z-axis (pos. and neg.)

## Salt spray test

Specification	DIN EN 60068-2-11:2000-02
Test duration	96 h

## Test for substances that would hinder coating with paint or varnish

Specification	VDMA 24364:2018-05
Result	Test passed

## Degree of protection (IP code)

Specification	IEC 60529:1989-11 + AMD 1:1999-11 + AMD 2:2013-08
Result, degree of protection, IP code	IP66/IP67 (1 m/30 min)/IP68 (2 m/24 h)/IP69/IP69K

## Ambient conditions

Max. IP code to attain	IP69
Max. NEMA code to attain	6
Impact strength	IK08
Ambient temperature (operation)	-40 °C ... 100 °C
Ambient temperature (storage/transport)	-40 °C ... 100 °C

## PCB data

Number of PCB holders	1
Type of PCB mount	Bolt mounting
Thickness of the PCB	1.57 mm ... 2.36 mm

## Mounting

# ECS-B-122X109-L-UV-V GY - Electronics housing



1054702

<https://www.phoenixcontact.com/us/products/1054702>

Mounting type	Wall or panel mount. Pole mount with accessory.
---------------	---

# ECS-B-122X109-L-UV-V GY - Electronics housing

1054702

<https://www.phoenixcontact.com/us/products/1054702>



## Drawings

Dimensional drawing



# ECS-B-122X109-L-UV-V GY - Electronics housing



1054702

<https://www.phoenixcontact.com/us/products/1054702>

## Approvals

🔗 To download certificates, visit the product detail page: <https://www.phoenixcontact.com/us/products/1054702>

**DNV**

Approval ID: TAE00003W8

# ECS-B-122X109-L-UV-V GY - Electronics housing



1054702

<https://www.phoenixcontact.com/us/products/1054702>

## Classifications

### ECLASS

ECLASS-15.0	27190601
ECLASS-13.0	27190601

### ETIM

ETIM 10.0	EC002779
-----------	----------

### UNSPSC

UNSPSC 21.0	31261500
-------------	----------

# ECS-B-122X109-L-UV-V GY - Electronics housing



1054702

<https://www.phoenixcontact.com/us/products/1054702>

## Environmental product compliance

### EU RoHS

Fulfills EU RoHS substance requirements	Yes, No exemptions
---	--------------------

### China RoHS

Environment friendly use period (EFUP)	EFUP-E
	No hazardous substances above the limits

### EU REACH SVHC

REACH candidate substance (CAS No.)	No substance above 0.1 wt%
-------------------------------------	----------------------------

Phoenix Contact 2026 © - all rights reserved  
<https://www.phoenixcontact.com>

Phoenix Contact USA  
586 Fulling Mill Road  
Middletown, PA 17057, United States  
(+717) 944-1300  
[info@phoenixcon.com](mailto:info@phoenixcon.com)