

# HC-B-PE-PT - Adapter

1054672

<https://www.phoenixcontact.com/us/products/1054672>

Please be informed that the data shown in this PDF document is generated from our online catalog. Please find the complete data in the user documentation. Our general terms of use for downloads are valid.



Adapter, 0.5 mm<sup>2</sup> ... 4 mm<sup>2</sup>

## Commercial data

Item number	1054672
Packing unit	2 pc
Minimum order quantity	2 pc
Sales key	BF61
Product key	AF7ABZ
GTIN	4063151096953
Weight per piece (including packing)	8.2 g
Weight per piece (excluding packing)	8 g
Customs tariff number	85369010
Country of origin	CN

# HC-B-PE-PT - Adapter

1054672

<https://www.phoenixcontact.com/us/products/1054672>



## Technical data

### Product properties

Product type	Adapter
--------------	---------

# HC-B-PE-PT - Adapter

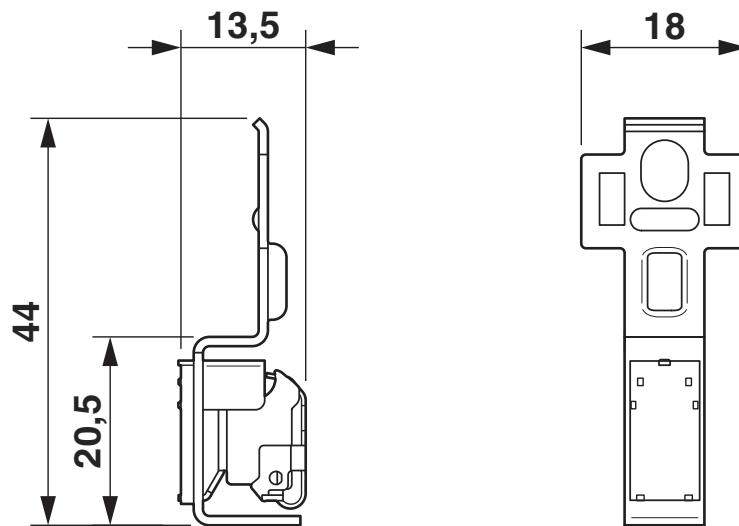
1054672

<https://www.phoenixcontact.com/us/products/1054672>



## Drawings

Dimensional drawing



# HC-B-PE-PT - Adapter




1054672

<https://www.phoenixcontact.com/us/products/1054672>

## Approvals

To download certificates, visit the product detail page: <https://www.phoenixcontact.com/us/products/1054672>

 <b>UL Recognized</b> Approval ID: E468743				
	Nominal voltage $U_N$	Nominal current $I_N$	Cross section AWG	Cross section $\text{mm}^2$
keine				
	-	-	- - -	-

# HC-B-PE-PT - Adapter

1054672

<https://www.phoenixcontact.com/us/products/1054672>



## Classifications

### ECLASS

ECLASS-13.0	27440192
ECLASS-15.0	27440192

### ETIM

ETIM 10.0	EC002943
-----------	----------

### UNSPSC

UNSPSC 21.0	39121400
-------------	----------

# HC-B-PE-PT - Adapter



1054672

<https://www.phoenixcontact.com/us/products/1054672>

## Environmental product compliance

### EU RoHS

Fulfills EU RoHS substance requirements	Yes, No exemptions
---	--------------------

### China RoHS

Environment friendly use period (EFUP)	EFUP-E
	No hazardous substances above the limits

### EU REACH SVHC

REACH candidate substance (CAS No.)	No substance above 0.1 wt%
-------------------------------------	----------------------------

### EF3.1 Climate Change

CO2e kg	0.259 kg CO2e
---------	---------------

Phoenix Contact 2026 © - all rights reserved  
<https://www.phoenixcontact.com>

Phoenix Contact USA  
586 Fulling Mill Road  
Middletown, PA 17057, United States  
(+717) 944-1300  
[info@phoenixcon.com](mailto:info@phoenixcon.com)