

VS-FP-SD-D-RJ456A-BUBU - Data front plate



1054542

<https://www.phoenixcontact.com/us/products/1054542>

Please be informed that the data shown in this PDF document is generated from our online catalog. Please find the complete data in the user documentation. Our general terms of use for downloads are valid.



Grounding contact socket, plastic, for Germany, including RJ45 gender changer (female/female, shielded), CAT6A

Commercial data

Item number	1054542
Packing unit	1 pc
Minimum order quantity	1 pc
Sales key	BF70
Product key	AF7EBX
GTIN	4055626690438
Weight per piece (including packing)	93.8 g
Weight per piece (excluding packing)	94.6 g
Customs tariff number	85366990
Country of origin	LV

VS-FP-SD-D-RJ456A-BUBU - Data front plate



1054542

<https://www.phoenixcontact.com/us/products/1054542>

Technical data

Product properties

Product type	Data front plate
Number of positions	8
Country ID	Germany

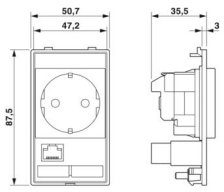
Electrical properties

Rated voltage (III/3)	250 V (Socket)
	max. 30 V AC (RJ45)
	max. 42.4 V DC (RJ45)
Rated current	16 A (Socket)
Nominal current I_N	max. 175 mA (RJ45)
Transmission speed	10 Gbps

Connection data

Connection method	Spring-cage connection
-------------------	------------------------

Dimensions

Dimensional drawing	
Width	50.7 mm
Height	43 mm
Length	87.5 mm

Material specifications

Material	Die-cast zinc, nickel-plated (RJ45)
Material Housing	PBT (Front plate)
Material	(Socket, labeling field)

Connector

Contact insert design	with 1x RJ45 Socket/socket, Cat 6, classEA (ISO/IEC 11801:2002), (EN 50173-1)
-----------------------	---

Mechanical properties

Mechanical data	
Insertion/withdrawal cycles	≥ 750 (RJ45)

Environmental and real-life conditions

VS-FP-SD-D-RJ456A-BUBU - Data front plate



1054542

<https://www.phoenixcontact.com/us/products/1054542>

Ambient conditions

Degree of protection	IP20 (Front)
Ambient temperature (operation)	-5 °C ... 50 °C

Mounting

Assembly note	Shroud connection: M4 threaded pin, tightening torque: 0.8 Nm .. . 1.0 Nm
---------------	--

VS-FP-SD-D-RJ456A-BUBU - Data front plate

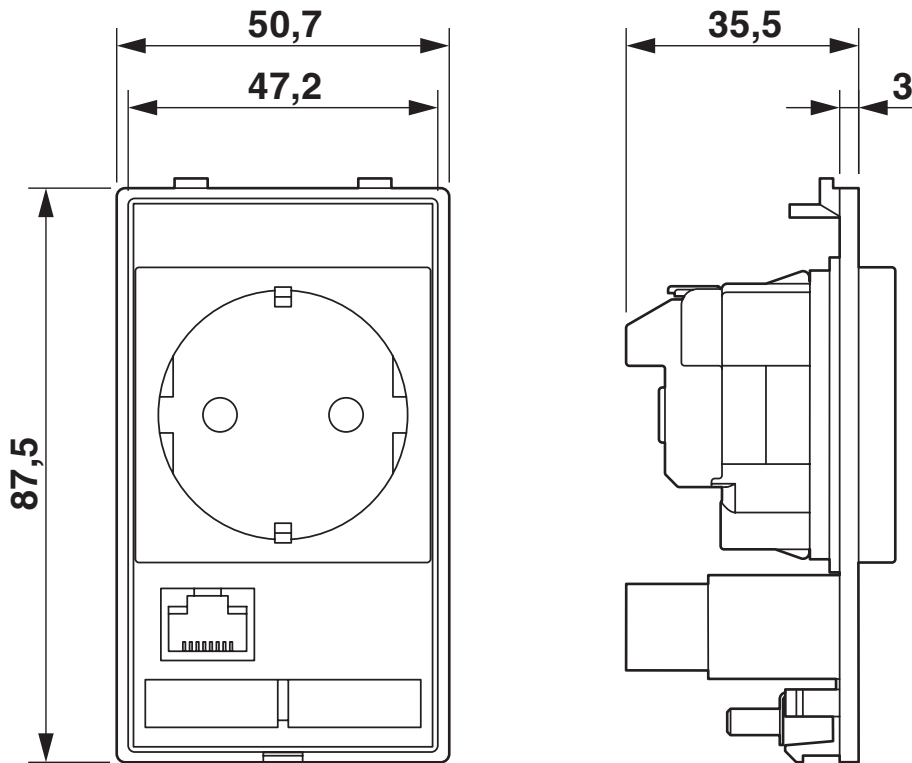


1054542

<https://www.phoenixcontact.com/us/products/1054542>

Drawings

Dimensional drawing



Dimensional drawing

VS-FP-SD-D-RJ456A-BUBU - Data front plate



1054542

<https://www.phoenixcontact.com/us/products/1054542>

Classifications

ECLASS

ECLASS-13.0	27182806
ECLASS-15.0	27182806

ETIM

ETIM 10.0	EC000456
-----------	----------

UNSPSC

UNSPSC 21.0	39121300
-------------	----------

VS-FP-SD-D-RJ456A-BUBU - Data front plate



1054542

<https://www.phoenixcontact.com/us/products/1054542>

Environmental product compliance

EU RoHS

Fulfills EU RoHS substance requirements	Yes, No exemptions
---	--------------------

China RoHS

Environment friendly use period (EFUP)	EFUP-E
	No hazardous substances above the limits

EU REACH SVHC

REACH candidate substance (CAS No.)	No substance above 0.1 wt%
-------------------------------------	----------------------------

EF3.1 Climate Change

CO2e kg	6.65 kg CO2e
---------	--------------

Phoenix Contact 2026 © - all rights reserved
<https://www.phoenixcontact.com>

Phoenix Contact USA
586 Fulling Mill Road
Middletown, PA 17057, United States
(+717) 944-1300
info@phoenixcon.com