

SAC-8PY-M/2XF BK 2-PSR - Y distributor



1054339

<https://www.phoenixcontact.com/us/products/1054339>

Please be informed that the data shown in this PDF document is generated from our online catalog. Please find the complete data in the user documentation. Our general terms of use for downloads are valid.



Y distributor for PSR-CT series RFID transponder switches, M12 male/female, 5- and 8-pos., for implementation of a manual start circuit in the field

Product description

Type 2 Y distributor for manual starting behavior for PSR-CT safety circuits.

Your advantages

- Easy implementation of safe series connection for up to 30 devices
- Easy installation with M12 connection
- Eliminates wiring errors
- Cuts down on long wiring paths to the control cabinet

Commercial data

| | |
|--------------------------------------|---------------|
| Item number | 1054339 |
| Packing unit | 1 pc |
| Minimum order quantity | 1 pc |
| Sales key | BF10 |
| Product key | AF1GAC |
| GTIN | 4055626698014 |
| Weight per piece (including packing) | 32.9 g |
| Weight per piece (excluding packing) | 22.2 g |
| Customs tariff number | 85366990 |
| Country of origin | PL |

SAC-8PY-M/2XF BK 2-PSR - Y distributor



1054339

<https://www.phoenixcontact.com/us/products/1054339>

Technical data

Product properties

| | |
|----------------------|---------------|
| Product type | Y-distributor |
| Number of positions | 8 |
| No. of cable outlets | 2 |
| Shielded | no |
| Coding | A |
| Thread type | M12 |

Insulation characteristics

| | |
|----------------------|----|
| Overvoltage category | II |
| Degree of pollution | 3 |

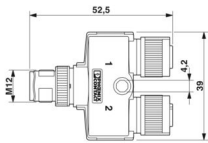
Electrical properties

| | |
|-----------------------|----------------------------|
| Insulation resistance | $\geq 100 \text{ M}\Omega$ |
| Nominal voltage U_N | 30 V AC |
| | 30 V DC |
| Nominal current I_N | 2 A |

Signaling

| | |
|------------------------|----|
| Status display | no |
| Status display present | no |

Dimensions

| | |
|---------------------|--|
| Dimensional drawing |  |
| Width | 39 mm |
| Height | 16 mm |
| Length | 52.5 mm |
| Center distance | 21 mm |

Material specifications

| | |
|--|---|
| Flammability rating according to UL 94 | HB |
| Seal material | NBR |
| Material of grip body | TPU, hardly inflammable, self-extinguishing |
| Contact material | CuZn |
| Contact surface material | Ni/Au |
| Contact carrier material | TPU GF |
| Material for screw connection | Zinc die-cast, nickel-plated |

1054339

<https://www.phoenixcontact.com/us/products/1054339>

Connector

Connection 1

| | |
|--------------|----------------------------|
| Type | Plug straight M12 SPEEDCON |
| Locking type | SPEEDCON |
| Coding type | A |

Connection 2

| | |
|--------------|------------------------------|
| Type | Socket straight M12 SPEEDCON |
| Locking type | SPEEDCON |
| Coding type | A |

Connection 3

| | |
|--------------|------------------------------|
| Type | Socket straight M12 SPEEDCON |
| Locking type | SPEEDCON |
| Coding type | A |

Mechanical properties

Mechanical data

| | |
|-----------------------------|-------|
| Insertion/withdrawal cycles | ≥ 100 |
|-----------------------------|-------|

Environmental and real-life conditions

Ambient conditions

| | |
|---|----------------------------------|
| Degree of protection | IP65 |
| | IP67 |
| Ambient temperature (operation) (male connector/female connector) | -25 °C ... 90 °C (Plug / socket) |

Standards and regulations

M12

| | |
|--------------------------|-----------------|
| Standard designation | M12 connector |
| Standards/specifications | IEC 61076-2-101 |

SAC-8PY-M/2XF BK 2-PSR - Y distributor



1054339

<https://www.phoenixcontact.com/us/products/1054339>

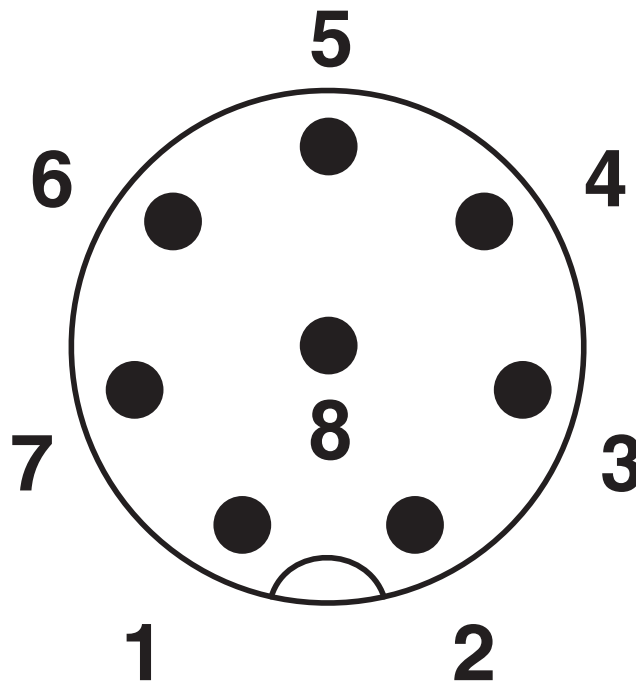
Drawings

Dimensional drawing



M12 Y distributor

Schematic diagram

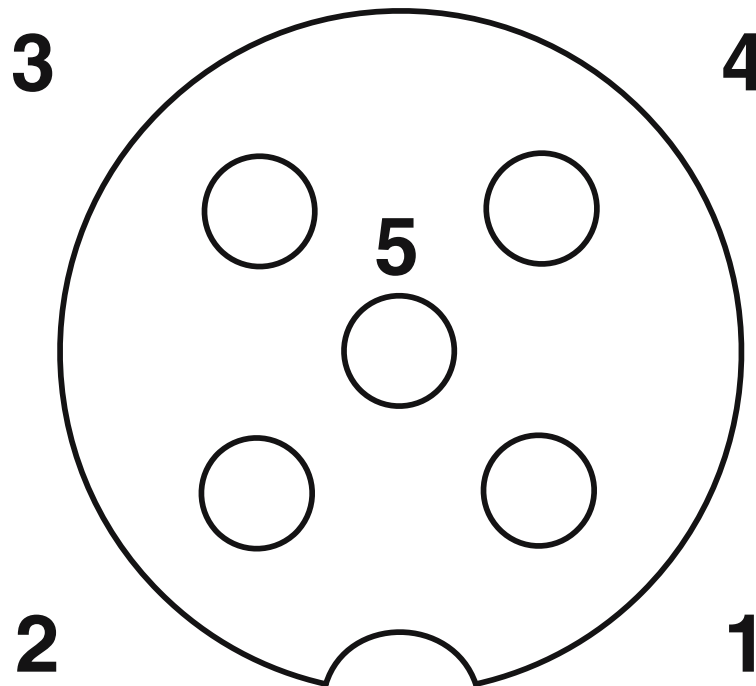


Pin assignment M12 plug, 8-pos., A-coded, view plug side

1054339

<https://www.phoenixcontact.com/us/products/1054339>

Schematic diagram



Pin assignment M12 socket, 5-pos., A-coded, socket side view

Schematic diagram

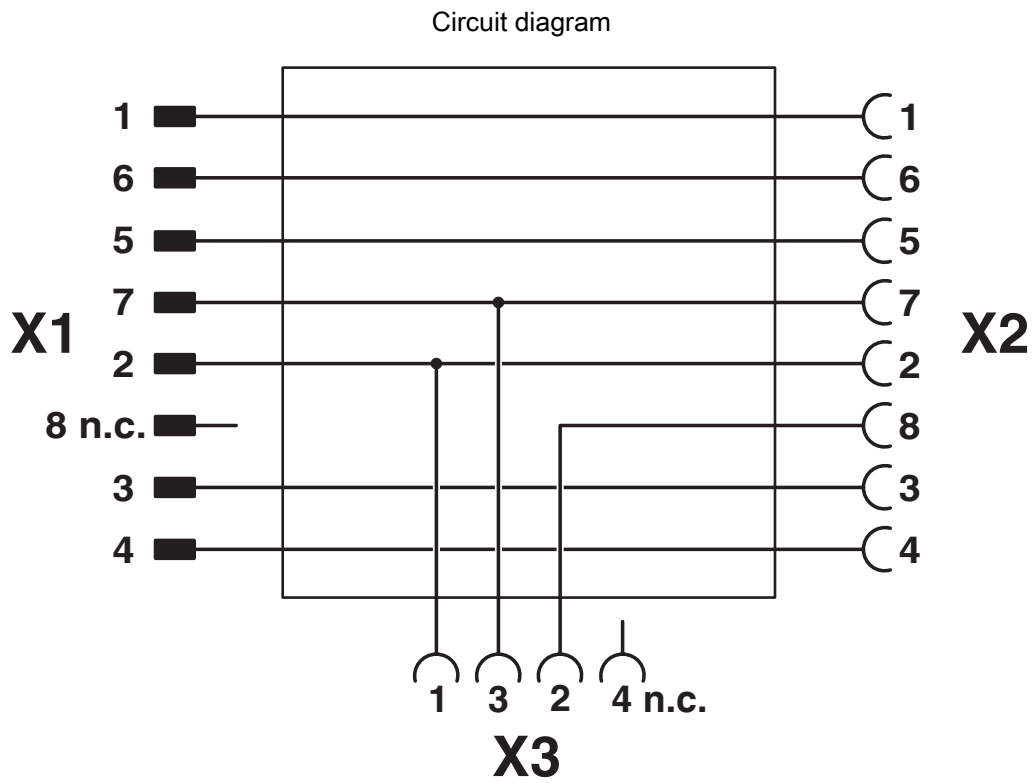


Pin assignment M12 socket, 8-pos., A-coded, view female side

SAC-8PY-M/2XF BK 2-PSR - Y distributor

1054339

<https://www.phoenixcontact.com/us/products/1054339>



Contact assignment of the M12 Y distributor

SAC-8PY-M/2XF BK 2-PSR - Y distributor



1054339

<https://www.phoenixcontact.com/us/products/1054339>

Classifications

ECLASS

| | |
|-------------|----------|
| ECLASS-13.0 | 27440106 |
| ECLASS-15.0 | 27440106 |

ETIM

| | |
|-----------|----------|
| ETIM 10.0 | EC002925 |
|-----------|----------|

UNSPSC

| | |
|-------------|----------|
| UNSPSC 21.0 | 31251500 |
|-------------|----------|

1054339

<https://www.phoenixcontact.com/us/products/1054339>

Environmental product compliance

EU RoHS

| | |
|---|--------------------|
| Fulfills EU RoHS substance requirements | Yes, No exemptions |
|---|--------------------|

China RoHS

| | |
|--|--|
| Environment friendly use period (EFUP) | EFUP-E |
| | No hazardous substances above the limits |

EU REACH SVHC

| | |
|-------------------------------------|----------------------------|
| REACH candidate substance (CAS No.) | No substance above 0.1 wt% |
|-------------------------------------|----------------------------|

EF3.1 Climate Change

| | |
|---------|---------------|
| CO2e kg | 1.456 kg CO2e |
|---------|---------------|

Phoenix Contact 2026 © - all rights reserved
<https://www.phoenixcontact.com>

Phoenix Contact USA
586 Fulling Mill Road
Middletown, PA 17057, United States
(+717) 944-1300
info@phoenixcon.com