

VAL-SEC-T2-GDT-800DC-P - Type 2 surge protection plug



1052649

<https://www.phoenixcontact.com/us/products/1052649>

Please be informed that the data shown in this PDF document is generated from our online catalog. Please find the complete data in the user documentation. Our general terms of use for downloads are valid.



Replacement plug for surge protective devices from the VALVETRAB SEC product range for DC power sources. Protection of the path to the ground for 220 und 380 V DC.

Commercial data

Item number	1052649
Packing unit	1 pc
Minimum order quantity	1 pc
Note	Made to order (non-returnable)
Product key	CL1353
GTIN	4055626676746
Weight per piece (including packing)	51.18 g
Weight per piece (excluding packing)	35.86 g
Country of origin	DE

VAL-SEC-T2-GDT-800DC-P - Type 2 surge protection plug



1052649

<https://www.phoenixcontact.com/us/products/1052649>

Technical data

Notes

General

Note	The VAL-SEC-T2-GDT-800DC-P protective plug (Item No.: 1052649) is only to be used in series connection with a VAL-SEC-T2-220DC-P (Item No.: 2907879) or VAL-SEC-T2-380DC-P (Item No.: 2907880). It is not designed for direct use on mains voltage.
	$U_{agn} \geq 600 \text{ V}$

Product properties

Product type	Replacement plug
Product family	SEC Family
IEC test classification	II T2
EN type	T2
IEC power supply system	DC
Type	Male
Number of positions	1
Surge protection fault message	optical

Insulation characteristics

Overvoltage category	III
Pollution degree	2

Connection data

Connection method	pluggable
-------------------	-----------

Dimensions

Dimensional drawing	
Width	11.7 mm
Height	46.4 mm
Depth	59.4 mm
Horizontal pitch	0.6 Div.

Material specifications

Color	light gray (RAL 7035)
Flammability rating according to UL 94	V-0
CTI value of material	600

VAL-SEC-T2-GDT-800DC-P - Type 2 surge protection plug



1052649

<https://www.phoenixcontact.com/us/products/1052649>

Insulating material	PA6.6-FR 20% GF
	PBT-FR
Material group	I
Housing material	PA 6.6-FR 20 % GF
	PBT-FR

Protective circuit

Mode of protection	(DC+/DC-) - PE
Protective conductor current I_{PE}	$\leq 5 \mu\text{A}$
Nominal discharge current I_n (8/20) μs	20 kA
Maximum discharge current I_{max} (8/20) μs	40 kA
Voltage protection level U_p	$\leq 1.5 \text{ kV}$
Residual voltage U_{res}	$\leq 0.5 \text{ kV}$ (at I_n)
	$\leq 0.5 \text{ kV}$ (at 10 kA)
	$\leq 0.5 \text{ kV}$ (at 5 kA)
	$\leq 0.5 \text{ kV}$ (at 4 kA)
	$\leq 0.5 \text{ kV}$ (at 2 kA)
Front-of-wave sparkover voltage at 6 kV (1.2/50) μs	$\leq 1.5 \text{ kV}$
Response time t_A	$\leq 100 \text{ ns}$

Environmental and real-life conditions

Ambient conditions

Degree of protection	IP20
Ambient temperature (operation)	-40 °C ... 80 °C
Ambient temperature (storage/transport)	-40 °C ... 80 °C
Altitude	$\leq 6000 \text{ m}$ (amsl)
Permissible humidity (operation)	5 % ... 95 %
Shock (operation)	30g (Half-sine / 11 ms / 3x $\pm X$, $\pm Y$, $\pm Z$)
Vibration (operation)	5g (10 ... 500 Hz / 2.5 h / X, Y, Z)

Standards and regulations

Standards/specifications	IEC 61643-11
Note	2011

EN 61643-11

Standards/specifications	EN 61643-11
Note	2012

Mounting

Mounting type	on base element
---------------	-----------------

VAL-SEC-T2-GDT-800DC-P - Type 2 surge protection plug

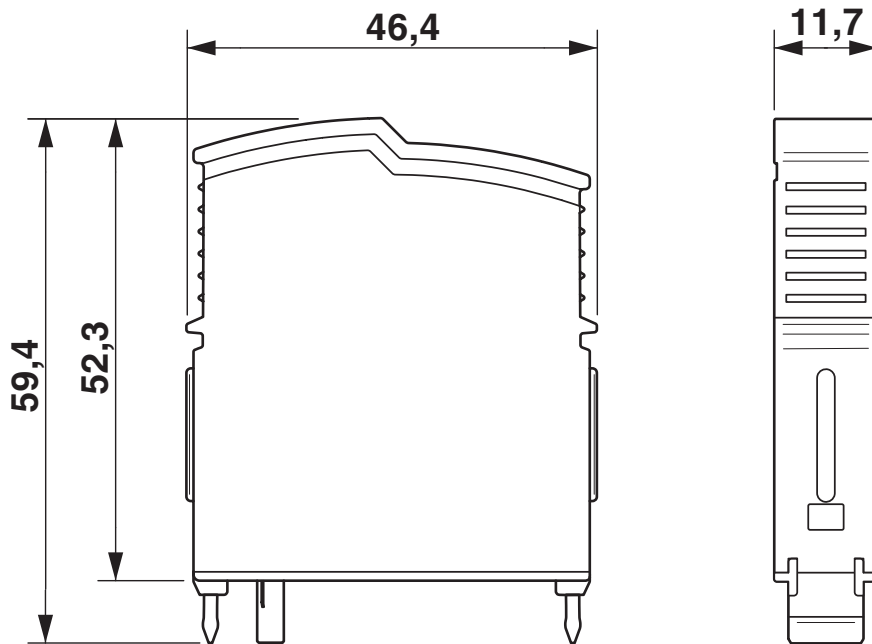


1052649

<https://www.phoenixcontact.com/us/products/1052649>

Drawings

Dimensional drawing



Circuit diagram



VAL-SEC-T2-GDT-800DC-P - Type 2 surge protection plug



1052649

<https://www.phoenixcontact.com/us/products/1052649>

Approvals

To download certificates, visit the product detail page: <https://www.phoenixcontact.com/us/products/1052649>

UAE-RoHS

Approval ID: 23-10-88707

VAL-SEC-T2-GDT-800DC-P - Type 2 surge protection plug



1052649

<https://www.phoenixcontact.com/us/products/1052649>

Classifications

ECLASS

ECLASS-13.0	27171292
ECLASS-15.0	27171292

ETIM

ETIM 10.0	EC002496
-----------	----------

UNSPSC

UNSPSC 21.0	39121600
-------------	----------

VAL-SEC-T2-GDT-800DC-P - Type 2 surge protection plug



1052649

<https://www.phoenixcontact.com/us/products/1052649>

Environmental product compliance

EU RoHS

Fulfills EU RoHS substance requirements	Yes, No exemptions
---	--------------------

China RoHS

Environment friendly use period (EFUP)	EFUP-E
	No hazardous substances above the limits

EU REACH SVHC

REACH candidate substance (CAS No.)	No substance above 0.1 wt%
-------------------------------------	----------------------------

Phoenix Contact 2026 © - all rights reserved
<https://www.phoenixcontact.com>

Phoenix Contact USA
586 Fulling Mill Road
Middletown, PA 17057, United States
(+717) 944-1300
info@phoenixcon.com