

HC-M-B24-DOCK-B - Docking frame



1051227

<https://www.phoenixcontact.com/us/products/1051227>

Please be informed that the data shown in this PDF document is generated from our online catalog. Please find the complete data in the user documentation. Our general terms of use for downloads are valid.

Docking frame for 6 modules, floating assembly, rack compensation of ± 2.0 mm in the x/y-axis



Product description

Docking frame, floating assembly, rack compensation of ± 2.0 mm in the x/y axis

Commercial data

| | |
|--------------------------------------|---------------|
| Item number | 1051227 |
| Packing unit | 1 pc |
| Minimum order quantity | 1 pc |
| Sales key | BF62 |
| Product key | AF7ACZ |
| GTIN | 4055626673080 |
| Weight per piece (including packing) | 137.4 g |
| Weight per piece (excluding packing) | 137.4 g |
| Customs tariff number | 85389099 |
| Country of origin | CN |

HC-M-B24-DOCK-B - Docking frame



1051227

<https://www.phoenixcontact.com/us/products/1051227>

Technical data

Product properties

| | |
|------------------------|-----------------------|
| Product type | Docking frame |
| Series | HC-M-B |
| | HC-M-02 |
| | HC-M-03 |
| | HC-M-03/04 |
| | HC-M-04 |
| | HC-M-05 |
| | HC-M-06 |
| | HC-M-08 |
| | HC-M-08-GBIT |
| | HC-M-12 |
| | HC-M-17 |
| | HC-M-20 |
| | HC-M-25 |
| | HC-M-DSUB |
| | HC-M-EMV |
| | HC-M-HV |
| | HC-M-HS |
| HC-M-00 | |
| Application | Modular docking frame |
| Type | B24 |
| Number of module slots | 6 |
| Frame type | Docking frames |

Material specifications

| | |
|----------|---------------|
| Material | Die-cast zinc |
|----------|---------------|

Mounting

| | |
|---------------|---|
| Mounting type | Direct mounting with flange |
| Assembly note | Optional PE connection possible |
| | When using the module carrier frame in metal housings, the connection of the PE conductor must be ensured via the PE connection provided on the module carrier frame or via a special metal PE module |

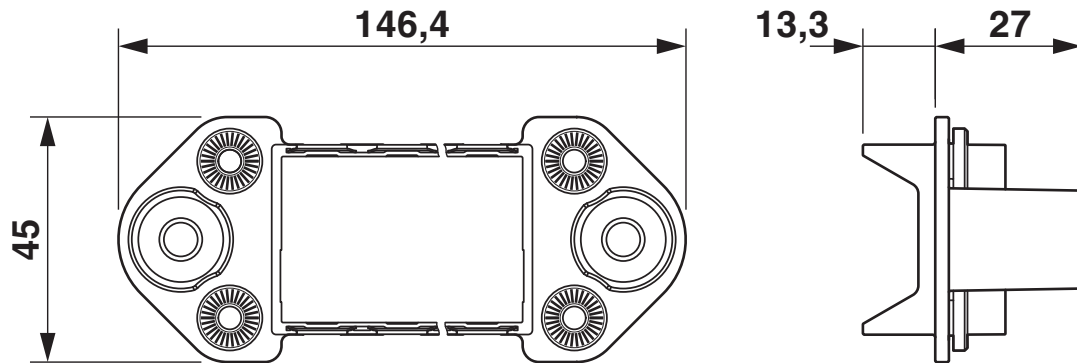
HC-M-B24-DOCK-B - Docking frame

1051227

<https://www.phoenixcontact.com/us/products/1051227>

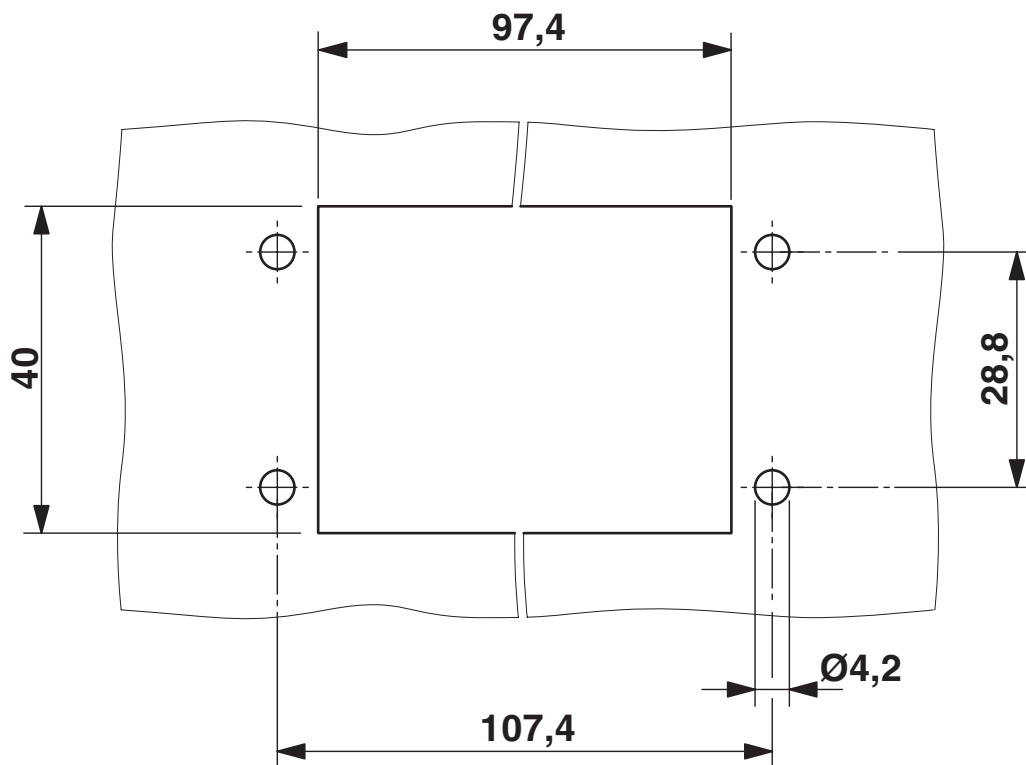
Drawings

Dimensional drawing



Dimensional drawing

Dimensional drawing



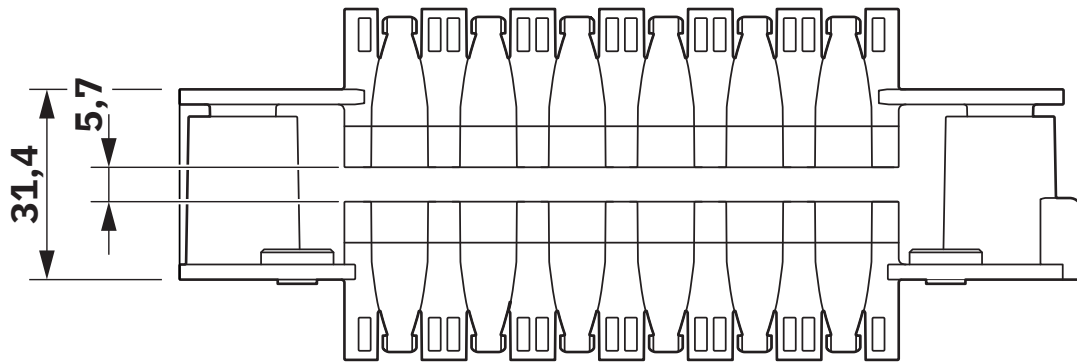
Mounting cutout

HC-M-B24-DOCK-B - Docking frame

1051227

<https://www.phoenixcontact.com/us/products/1051227>

Dimensional drawing



Schematic drawing of docking frame

HC-M-B24-DOCK-B - Docking frame



1051227

<https://www.phoenixcontact.com/us/products/1051227>

Classifications

ECLASS

| | |
|-------------|----------|
| ECLASS-13.0 | 27440206 |
| ECLASS-15.0 | 27440206 |

ETIM

| | |
|-----------|----------|
| ETIM 10.0 | EC002312 |
|-----------|----------|

UNSPSC

| | |
|-------------|----------|
| UNSPSC 21.0 | 31261500 |
|-------------|----------|

HC-M-B24-DOCK-B - Docking frame



1051227

<https://www.phoenixcontact.com/us/products/1051227>

Environmental product compliance

EU RoHS

| | |
|---|--------------------|
| Fulfills EU RoHS substance requirements | Yes, No exemptions |
|---|--------------------|

China RoHS

| | |
|--|--|
| Environment friendly use period (EFUP) | EFUP-E |
| | No hazardous substances above the limits |

EU REACH SVHC

| | |
|-------------------------------------|----------------------------|
| REACH candidate substance (CAS No.) | No substance above 0.1 wt% |
|-------------------------------------|----------------------------|

Phoenix Contact 2026 © - all rights reserved
<https://www.phoenixcontact.com>

Phoenix Contact USA
586 Fulling Mill Road
Middletown, PA 17057, United States
(+717) 944-1300
info@phoenixcon.com