

# HC-M-B10-DOCK-B - Docking frame

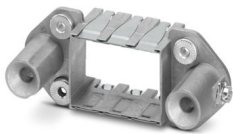


1051225

<https://www.phoenixcontact.com/us/products/1051225>

Please be informed that the data shown in this PDF document is generated from our online catalog. Please find the complete data in the user documentation. Our general terms of use for downloads are valid.

Docking frame for 3 modules, floating assembly, rack compensation of  $\pm 2.0$  mm in the x/y-axis



## Product description

Docking frame, floating assembly, rack compensation of  $\pm 2.0$  mm in the x/y axis

## Commercial data

Item number	1051225
Packing unit	1 pc
Minimum order quantity	1 pc
Sales key	BF62
Product key	AF7ACZ
GTIN	4055626673066
Weight per piece (including packing)	112.88 g
Weight per piece (excluding packing)	112.88 g
Customs tariff number	85389099
Country of origin	CN

# HC-M-B10-DOCK-B - Docking frame



1051225

<https://www.phoenixcontact.com/us/products/1051225>

## Technical data

### Product properties

Product type	Docking frame
Series	HC-M-B
	HC-M-02
	HC-M-03
	HC-M-03/04
	HC-M-04
	HC-M-05
	HC-M-06
	HC-M-08
	HC-M-08-GBIT
	HC-M-12
	HC-M-17
	HC-M-20
	HC-M-25
	HC-M-DSUB
	HC-M-EMV
	HC-M-HV
	HC-M-HS
HC-M-00	
Application	Modular docking frame
Type	B10
Number of module slots	3
Frame type	Docking frames

### Material specifications

Material	Die-cast zinc
----------	---------------

### Mounting

Mounting type	Direct mounting with flange
Assembly note	Optional PE connection possible
	When using the module carrier frame in metal housings, the connection of the PE conductor must be ensured via the PE connection provided on the module carrier frame or via a special metal PE module

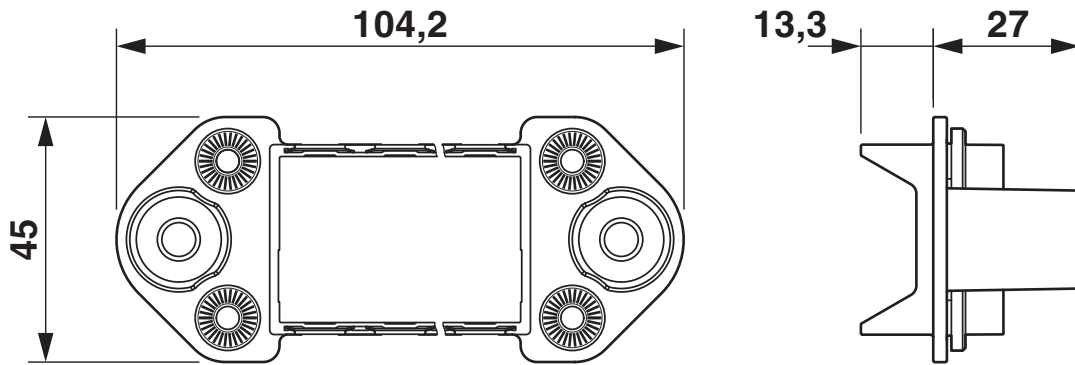
# HC-M-B10-DOCK-B - Docking frame

1051225

<https://www.phoenixcontact.com/us/products/1051225>

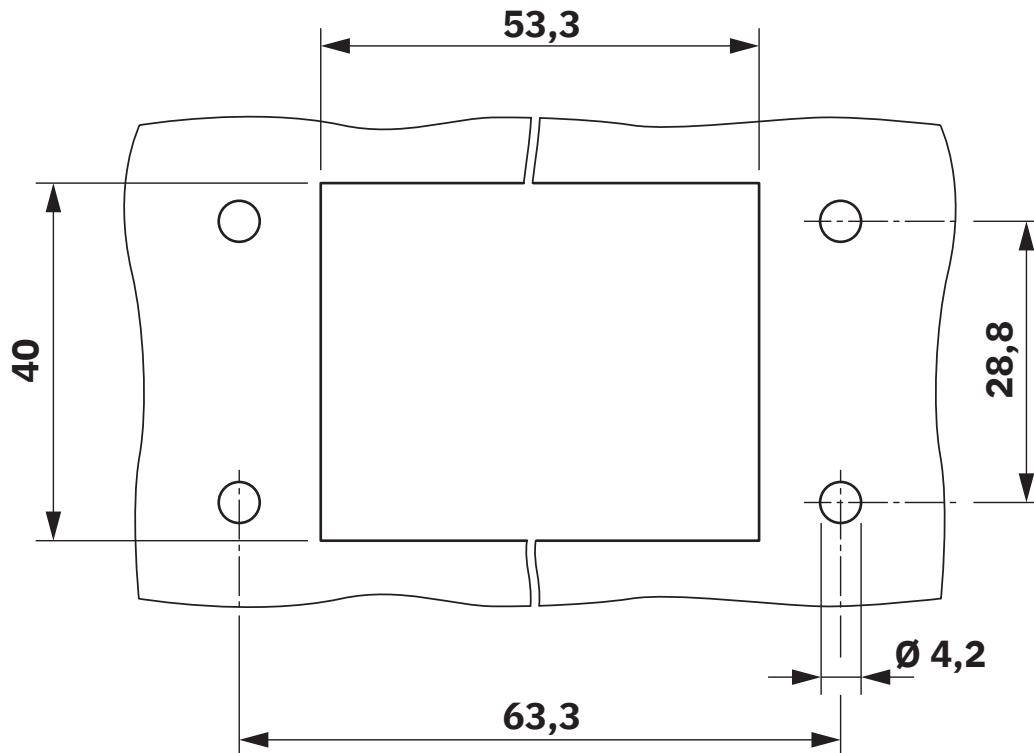
## Drawings

Dimensional drawing



Dimensional drawing

Dimensional drawing



Mounting cutout

# HC-M-B10-DOCK-B - Docking frame



1051225

<https://www.phoenixcontact.com/us/products/1051225>

## Classifications

### ECLASS

ECLASS-13.0	27440206
ECLASS-15.0	27440206

### ETIM

ETIM 10.0	EC002312
-----------	----------

### UNSPSC

UNSPSC 21.0	31261500
-------------	----------

# HC-M-B10-DOCK-B - Docking frame



1051225

<https://www.phoenixcontact.com/us/products/1051225>

## Environmental product compliance

### EU RoHS

Fulfills EU RoHS substance requirements	Yes, No exemptions
---	--------------------

### China RoHS

Environment friendly use period (EFUP)	EFUP-E
	No hazardous substances above the limits

### EU REACH SVHC

REACH candidate substance (CAS No.)	No substance above 0.1 wt%
-------------------------------------	----------------------------

Phoenix Contact 2026 © - all rights reserved  
<https://www.phoenixcontact.com>

Phoenix Contact USA  
586 Fulling Mill Road  
Middletown, PA 17057, United States  
(+717) 944-1300  
[info@phoenixcon.com](mailto:info@phoenixcon.com)