

ECS-B-122X169-S-UV-V GY - Electronics housing



1050209

<https://www.phoenixcontact.com/us/products/1050209>

Please be informed that the data shown in this PDF document is generated from our online catalog. Please find the complete data in the user documentation. Our general terms of use for downloads are valid.

Screw locking vented enclosure of the ECS Family, IP66/IP67/IP68/IP69 rated when mated with associated faceplate, color: gray (7042), width: 164 mm, height: 176 mm, depth: 64 mm



Your advantages

- Housing design supports the installation of a range of PCB thicknesses for high application diversity
- Integrated pressure compensation membrane for fluctuating ambient pressures
- Optional accessories for wall and mast mounting
- Proven PCB connection technology
- Integrated tamper protection
- Effective protection of electronics against thermal and mechanical influences
- Suitable for outdoor/indoor applications

Commercial data

| | |
|--------------------------------------|---------------|
| Item number | 1050209 |
| Packing unit | 5 pc |
| Minimum order quantity | 5 pc |
| Sales key | AC04 |
| Product key | ACFDAA |
| GTIN | 4055626662787 |
| Weight per piece (including packing) | 261 g |
| Weight per piece (excluding packing) | 260.9 g |
| Customs tariff number | 84879090 |
| Country of origin | US |

Technical data

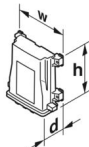
Notes

| | |
|----------------------|---|
| Assembly note | Please observe the application note in the download area. |
| Degree of protection | The specification for IP protection applies to the item combination ECS-B-... in conjunction with an unaltered ECS-P...-B front panel. |
| Degree of protection | When using front panels with connection technology, the IP protection class of the connection technology determines the protection class of the overall solution. |
| Recommendation | Further information and detailed dimensions are available in the download area. |

Product properties

| | |
|---------------------|---|
| Product type | Housing |
| Housing type | Outdoor housing |
| Housing type | Outdoor housings |
| Housing series | ECS |
| Product family | ECS..122X..S.. |
| Battery compartment | no |
| Ventilation | integrated pressure compensation membrane |

Dimensions

| | |
|---------------------|--|
| Dimensional drawing |  |
| Width | 164 mm |
| Height | 176 mm |
| Depth | 64 mm |

PCB design

| | |
|---------------|---------------------|
| PCB thickness | 1.57 mm ... 2.36 mm |
|---------------|---------------------|

Material specifications

| | |
|--|-----------------|
| Color (Housing) | gray (RAL 7042) |
| Material Housing | PC |
| Flammability rating according to UL 94 | V0 |

Environmental and real-life conditions

Vibration test

| | |
|---------------|-----------------------|
| Specification | IEC 60068-2-6:2007-12 |
| Frequency | 10 - 2000 - 10 Hz |
| Sweep speed | 1 octave/min |

ECS-B-122X169-S-UV-V GY - Electronics housing



1050209

<https://www.phoenixcontact.com/us/products/1050209>

| | |
|------------------------|---------------------------|
| Acceleration | 15g (61.6 Hz ... 2000 Hz) |
| Test duration per axis | 2.5 h |
| Test directions | X-, Y- and Z-axis |

Glow-wire test

| | |
|------------------|------------------------|
| Specification | IEC 60695-2-11:2014-02 |
| Temperature | 850 °C |
| Time of exposure | 30 s |

Mechanical strength / tumbling barrel

| | |
|----------------|------------------------|
| Specification | IEC 60068-2-31:2008-05 |
| Height of fall | 50 cm |
| Frequency | 50 |

Shocks

| | |
|--------------------------------|-----------------------------------|
| Specification | IEC 60068-2-27:2008-02 |
| Pulse shape | Semi-sinusoidal |
| Acceleration | 50g |
| Shock duration | 11 ms |
| Number of shocks per direction | 3 |
| Test directions | X-, Y- and Z-axis (pos. and neg.) |

Salt spray test

| | |
|---------------|---------------------------|
| Specification | DIN EN 60068-2-11:2000-02 |
| Test duration | 96 h |

Test for substances that would hinder coating with paint or varnish

| | |
|---------------|--------------------|
| Specification | VDMA 24364:2018-05 |
| Result | Test passed |

Degree of protection (IP code)

| | |
|---------------------------------------|---|
| Specification | IEC 60529:1989-11 + AMD 1:1999-11 + AMD 2:2013-08 |
| Result, degree of protection, IP code | IP66/IP67 (1 m/30 min)/IP68 (2 m/24 h)/IP69/IP69K |

Ambient conditions

| | |
|---|-------------------|
| Max. IP code to attain | IP69 |
| Max. NEMA code to attain | 6 |
| Impact strength | IK08 |
| Ambient temperature (operation) | -40 °C ... 100 °C |
| Ambient temperature (storage/transport) | -40 °C ... 100 °C |

PCB data

| | |
|-----------------------|---------------------|
| Number of PCB holders | 1 |
| Type of PCB mount | Bolt mounting |
| Thickness of the PCB | 1.57 mm ... 2.36 mm |

Mounting

ECS-B-122X169-S-UV-V GY - Electronics housing



1050209

<https://www.phoenixcontact.com/us/products/1050209>

| Mounting type | Wall or panel mount. Pole mount with accessory. |
|---------------|---|
|---------------|---|

ECS-B-122X169-S-UV-V GY - Electronics housing

1050209

<https://www.phoenixcontact.com/us/products/1050209>



Drawings

Dimensional drawing



ECS-B-122X169-S-UV-V GY - Electronics housing



1050209

<https://www.phoenixcontact.com/us/products/1050209>

Approvals

🔗 To download certificates, visit the product detail page: <https://www.phoenixcontact.com/us/products/1050209>

DNV

Approval ID: TAE00003W8

1050209

<https://www.phoenixcontact.com/us/products/1050209>

Classifications

ECLASS

| | |
|-------------|----------|
| ECLASS-15.0 | 27190601 |
| ECLASS-13.0 | 27190601 |

ETIM

| | |
|-----------|----------|
| ETIM 10.0 | EC002779 |
|-----------|----------|

UNSPSC

| | |
|-------------|----------|
| UNSPSC 21.0 | 31261500 |
|-------------|----------|

ECS-B-122X169-S-UV-V GY - Electronics housing



1050209

<https://www.phoenixcontact.com/us/products/1050209>

Environmental product compliance

EU RoHS

| | |
|---|--------------------|
| Fulfills EU RoHS substance requirements | Yes, No exemptions |
|---|--------------------|

China RoHS

| | |
|--|--|
| Environment friendly use period (EFUP) | EFUP-E |
| | No hazardous substances above the limits |

EU REACH SVHC

| | |
|-------------------------------------|----------------------------|
| REACH candidate substance (CAS No.) | No substance above 0.1 wt% |
|-------------------------------------|----------------------------|

Phoenix Contact 2026 © - all rights reserved
<https://www.phoenixcontact.com>

Phoenix Contact USA
586 Fulling Mill Road
Middletown, PA 17057, United States
(+717) 944-1300
info@phoenixcon.com