

FT NUT M25 BU - Nut



1049831

<https://www.phoenixcontact.com/us/products/1049831>

Please be informed that the data shown in this PDF document is generated from our online catalog. Please find the complete data in the user documentation. Our general terms of use for downloads are valid.

Nut, Range of articles: PRC 35, color: blue



Product description

Nut for color-coding device interfaces

Your advantages

- Color coding for PRC connectors
- Easy installation
- Other colors available on request

Commercial data

Item number	1049831
Packing unit	10 pc
Minimum order quantity	10 pc
Sales key	AB03
Product key	ABL CZB
GTIN	4055626662992
Weight per piece (including packing)	3.22 g
Weight per piece (excluding packing)	2.766 g
Customs tariff number	39269097
Country of origin	PL

FT NUT M25 BU - Nut

1049831

<https://www.phoenixcontact.com/us/products/1049831>

Technical data

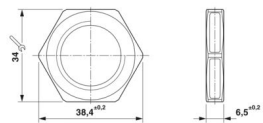
Product properties

Product type	Panel feed-through
Product family	PRC 35

Insulation characteristics

Degree of pollution	2
---------------------	---

Dimensions

Dimensional drawing	
Width	6.5 mm
Height	38.4 mm
Length	34 mm
Wrench size, union nut	34 mm

Material specifications

Color (Housing)	blue (RAL 5015)
Flammability rating according to UL 94	V0
Material for screw connection	PA

Environmental and real-life conditions

Ambient conditions

Ambient temperature (operation)	-40 °C ... 85 °C
Ambient temperature (storage/transport)	-20 °C ... 65 °C
Ambient temperature (assembly)	-5 °C ... 85 °C

FT NUT M25 BU - Nut

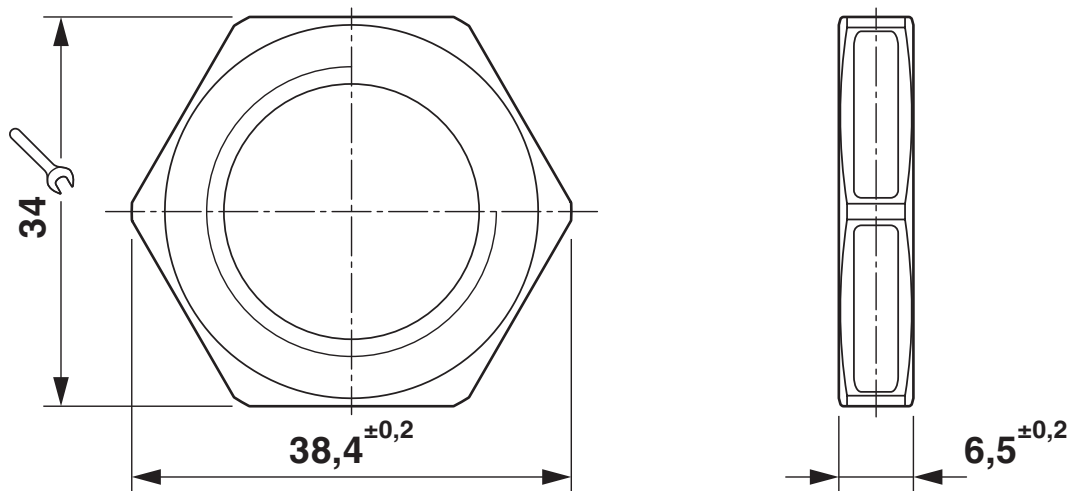
1049831

<https://www.phoenixcontact.com/us/products/1049831>



Drawings

Dimensional drawing



FT NUT M25 BU - Nut



1049831

<https://www.phoenixcontact.com/us/products/1049831>

Classifications

ECLASS

ECLASS-13.0	27440691
ECLASS-15.0	27140807

ETIM

ETIM 10.0	EC002943
-----------	----------

UNSPSC

UNSPSC 21.0	39121400
-------------	----------

FT NUT M25 BU - Nut



1049831

<https://www.phoenixcontact.com/us/products/1049831>

Environmental product compliance

EU RoHS

Fulfills EU RoHS substance requirements	Yes, No exemptions
-----------------------------------------	--------------------

China RoHS

Environment friendly use period (EFUP)	EFUP-E
	No hazardous substances above the limits

EU REACH SVHC

REACH candidate substance (CAS No.)	No substance above 0.1 wt%
-------------------------------------	----------------------------

EF3.1 Climate Change

CO2e kg	0.067 kg CO2e
---------	---------------

Phoenix Contact 2026 © - all rights reserved
<https://www.phoenixcontact.com>

Phoenix Contact USA
586 Fulling Mill Road
Middletown, PA 17057, United States
(+717) 944-1300
info@phoenixcon.com