

# A-INSP-PG7-65N-P-LG - Screw plug



1047562

<https://www.phoenixcontact.com/us/products/1047562>

Please be informed that the data shown in this PDF document is generated from our online catalog. Please find the complete data in the user documentation. Our general terms of use for downloads are valid.



Screw plug, material for screw connection: PA, connecting thread: Pg7, color: lightgray RAL 7035, with O-ring

## Commercial data

Item number	1047562
Packing unit	10 pc
Minimum order quantity	10 pc
Sales key	BF68
Product key	AF7DZX
GTIN	4055626648903
Weight per piece (including packing)	1.04 g
Weight per piece (excluding packing)	1.04 g
Customs tariff number	85389099
Country of origin	DE

# A-INSP-PG7-65N-P-LG - Screw plug

1047562

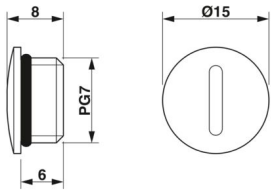
<https://www.phoenixcontact.com/us/products/1047562>

## Technical data

### Product properties

Product type	Plug for cable screw gland
--------------	----------------------------

### Dimensions

Dimensional drawing	
Length	8 mm
Length of the connecting thread	6 mm
Diameter	15 mm
	15 mm
Thread type connection side	Pg7

### Material specifications

Seal material O-ring	NBR
Material for screw connection	PA

### Environmental and real-life conditions

#### Ambient conditions

Degree of protection	IP65
Ambient temperature (operation)	-20 °C ... 100 °C

# A-INSP-PG7-65N-P-LG - Screw plug

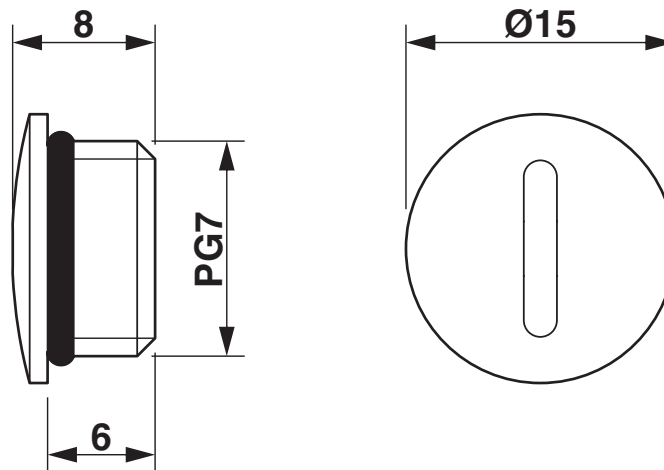
1047562

<https://www.phoenixcontact.com/us/products/1047562>



## Drawings

Dimensional drawing



Dimensional drawing

# A-INSP-PG7-65N-P-LG - Screw plug



1047562

<https://www.phoenixcontact.com/us/products/1047562>

## Classifications

### ECLASS

ECLASS-13.0	23111190
ECLASS-15.0	27140805

### ETIM

ETIM 10.0	EC000032
-----------	----------

### UNSPSC

UNSPSC 21.0	31261500
-------------	----------

# A-INSP-PG7-65N-P-LG - Screw plug



1047562

<https://www.phoenixcontact.com/us/products/1047562>

## Environmental product compliance

### EU RoHS

Fulfills EU RoHS substance requirements	Yes, No exemptions
---	--------------------

### China RoHS

Environment friendly use period (EFUP)	EFUP-E
	No hazardous substances above the limits

### EU REACH SVHC

REACH candidate substance (CAS No.)	No substance above 0.1 wt%
-------------------------------------	----------------------------

Phoenix Contact 2026 © - all rights reserved  
<https://www.phoenixcontact.com>

Phoenix Contact USA  
586 Fulling Mill Road  
Middletown, PA 17057, United States  
(+717) 944-1300  
[info@phoenixcon.com](mailto:info@phoenixcon.com)