

A-INSP-PG7-65N-P-BK - Screw plug



1047561

<https://www.phoenixcontact.com/us/products/1047561>

Please be informed that the data shown in this PDF document is generated from our online catalog. Please find the complete data in the user documentation. Our general terms of use for downloads are valid.



Screw plug, material for screw connection: PA, connecting thread: Pg7, color: jet black RAL 9005, with O-ring

Commercial data

| | |
|--------------------------------------|---------------|
| Item number | 1047561 |
| Packing unit | 10 pc |
| Minimum order quantity | 10 pc |
| Sales key | BF68 |
| Product key | AF7DZX |
| GTIN | 4055626648361 |
| Weight per piece (including packing) | 1 g |
| Weight per piece (excluding packing) | 0.873 g |
| Customs tariff number | 39269097 |
| Country of origin | DE |

A-INSP-PG7-65N-P-BK - Screw plug

1047561

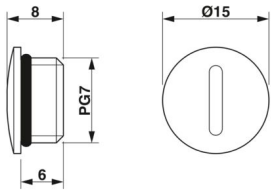
<https://www.phoenixcontact.com/us/products/1047561>

Technical data

Product properties

| | |
|--------------|----------------------------|
| Product type | Plug for cable screw gland |
|--------------|----------------------------|

Dimensions

| | |
|---------------------------------|--|
| Dimensional drawing |  |
| Length | 8 mm |
| Length of the connecting thread | 6 mm |
| Diameter | 15 mm |
| Diameter | 15 mm |
| Thread type connection side | Pg7 |

Material specifications

| | |
|-------------------------------|-----|
| Seal material O-ring | NBR |
| Material for screw connection | PA |

Environmental and real-life conditions

Ambient conditions

| | |
|---------------------------------|-------------------|
| Degree of protection | IP65 |
| Ambient temperature (operation) | -20 °C ... 100 °C |

A-INSP-PG7-65N-P-BK - Screw plug

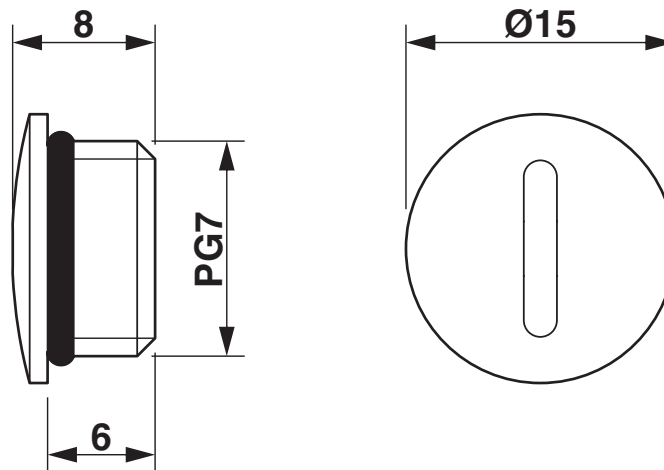
1047561

<https://www.phoenixcontact.com/us/products/1047561>



Drawings

Dimensional drawing



Dimensional drawing

A-INSP-PG7-65N-P-BK - Screw plug



1047561

<https://www.phoenixcontact.com/us/products/1047561>

Classifications

ECLASS

| | |
|-------------|----------|
| ECLASS-13.0 | 23111190 |
| ECLASS-15.0 | 27140805 |

ETIM

| | |
|-----------|----------|
| ETIM 10.0 | EC000032 |
|-----------|----------|

UNSPSC

| | |
|-------------|----------|
| UNSPSC 21.0 | 31261500 |
|-------------|----------|

A-INSP-PG7-65N-P-BK - Screw plug



1047561

<https://www.phoenixcontact.com/us/products/1047561>

Environmental product compliance

EU RoHS

| | |
|---|--------------------|
| Fulfills EU RoHS substance requirements | Yes, No exemptions |
|---|--------------------|

China RoHS

| | |
|--|--|
| Environment friendly use period (EFUP) | EFUP-E |
| | No hazardous substances above the limits |

EU REACH SVHC

| | |
|-------------------------------------|----------------------------|
| REACH candidate substance (CAS No.) | No substance above 0.1 wt% |
|-------------------------------------|----------------------------|

Phoenix Contact 2026 © - all rights reserved
<https://www.phoenixcontact.com>

Phoenix Contact USA
586 Fulling Mill Road
Middletown, PA 17057, United States
(+717) 944-1300
info@phoenixcon.com