

A-INSP-PG11-65N-P-BK - Screw plug



1047271

<https://www.phoenixcontact.com/us/products/1047271>

Please be informed that the data shown in this PDF document is generated from our online catalog. Please find the complete data in the user documentation. Our general terms of use for downloads are valid.

Screw plug, material for screw connection: PA, connecting thread: Pg11, color: jet black RAL 9005, with O-ring



Commercial data

Item number	1047271
Packing unit	10 pc
Minimum order quantity	10 pc
Sales key	BF68
Product key	AF7DZX
GTIN	4055626647173
Weight per piece (including packing)	2.2 g
Weight per piece (excluding packing)	1.81 g
Customs tariff number	85389099
Country of origin	DE

A-INSP-PG11-65N-P-BK - Screw plug

1047271

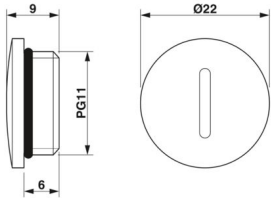
<https://www.phoenixcontact.com/us/products/1047271>

Technical data

Product properties

Product type	Plug for cable screw gland
--------------	----------------------------

Dimensions

Dimensional drawing	
Length	9 mm
Length of the connecting thread	6 mm
Diameter	22 mm
Diameter	22 mm
Thread type connection side	Pg11

Material specifications

Seal material O-ring	NBR
Material for screw connection	PA

Environmental and real-life conditions

Ambient conditions

Degree of protection	IP65
Ambient temperature (operation)	-20 °C ... 100 °C

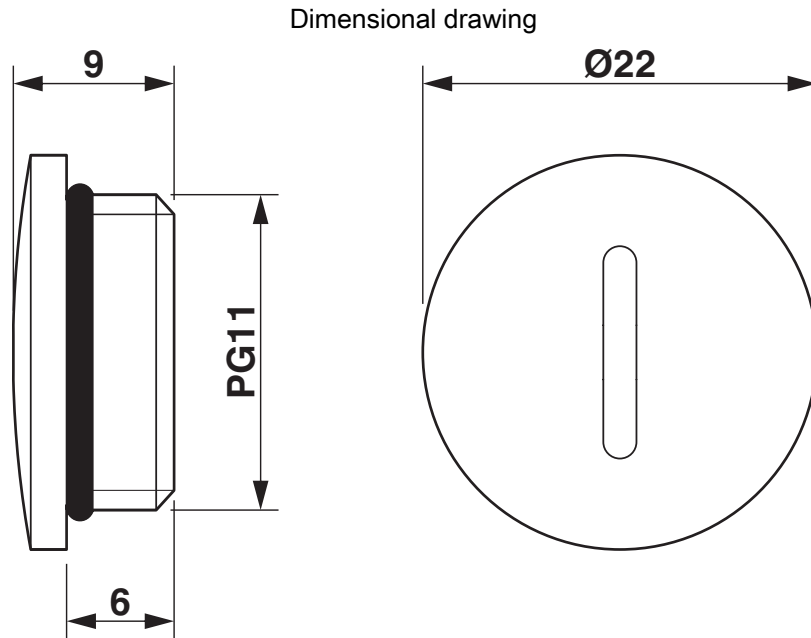
A-INSP-PG11-65N-P-BK - Screw plug



1047271

<https://www.phoenixcontact.com/us/products/1047271>

Drawings



Dimensional drawing

A-INSP-PG11-65N-P-BK - Screw plug



1047271

<https://www.phoenixcontact.com/us/products/1047271>

Classifications

ECLASS

ECLASS-13.0	23111190
ECLASS-15.0	27140805

ETIM

ETIM 10.0	EC002374
-----------	----------

UNSPSC

UNSPSC 21.0	31261500
-------------	----------

A-INSP-PG11-65N-P-BK - Screw plug



1047271

<https://www.phoenixcontact.com/us/products/1047271>

Environmental product compliance

EU RoHS

Fulfills EU RoHS substance requirements	Yes, No exemptions
---	--------------------

China RoHS

Environment friendly use period (EFUP)	EFUP-E
	No hazardous substances above the limits

EU REACH SVHC

REACH candidate substance (CAS No.)	No substance above 0.1 wt%
-------------------------------------	----------------------------

Phoenix Contact 2026 © - all rights reserved
<https://www.phoenixcontact.com>

Phoenix Contact USA
586 Fulling Mill Road
Middletown, PA 17057, United States
(+717) 944-1300
info@phoenixcon.com