

H3X:C5FF:2U3FF - Housing



1046940

<https://www.phoenixcontact.com/us/products/1046940>

Please be informed that the data shown in this PDF document is generated from our online catalog. Please find the complete data in the user documentation. Our general terms of use for downloads are valid.



HEAVYPORT B16 panel mounting base, with single locking latch, with plastic protective cover, with stainless steel front plate connections, 1x RJ45 CAT5e (female/female), 2x USB Type A/A (female/female)

Your advantages

- Good shielding in the event of electromagnetic interference

Commercial data

Item number	1046940
Packing unit	1 pc
Minimum order quantity	1 pc
Note	Made to order (non-returnable)
Sales key	BF69
Product key	AF7EGX
GTIN	4055626645636
Weight per piece (including packing)	22.22 g
Weight per piece (excluding packing)	22.22 g
Country of origin	US

H3X:C5FF:2U3FF - Housing

1046940

<https://www.phoenixcontact.com/us/products/1046940>

Technical data

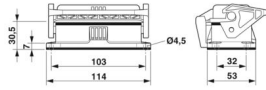
Product properties

Product type	Stackable housing set
Application	Standard
Type	B16
Protective cover	yes

Connection data

Tightening torque	1.5 ... 2 Nm
-------------------	--------------

Dimensions

Dimensional drawing	
Width	53 mm
Height	30.5 mm
Length	114 mm

Installation dimensions

Width of the assembly cutout	35 mm
Length of the assembly cutout	86 mm

Material specifications

Material	Stainless steel (Front plate)
Seal material	NBR, conductive
	NBR, conductive
Housing material	Die-cast aluminum, salt water resistant
Housing surface material	uncoated
Material, protective cover	PA
Locking latch material	Polyamide

Environmental and real-life conditions

Ambient conditions

Degree of protection	IP66
	IP67
Impact strength	IK08
Ambient temperature (operation)	-40 °C ... 125 °C (Housing)

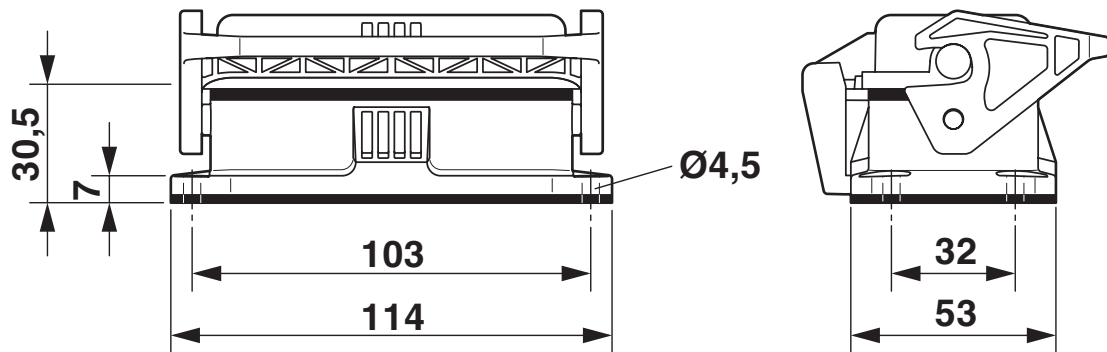
H3X:C5FF:2U3FF - Housing

1046940

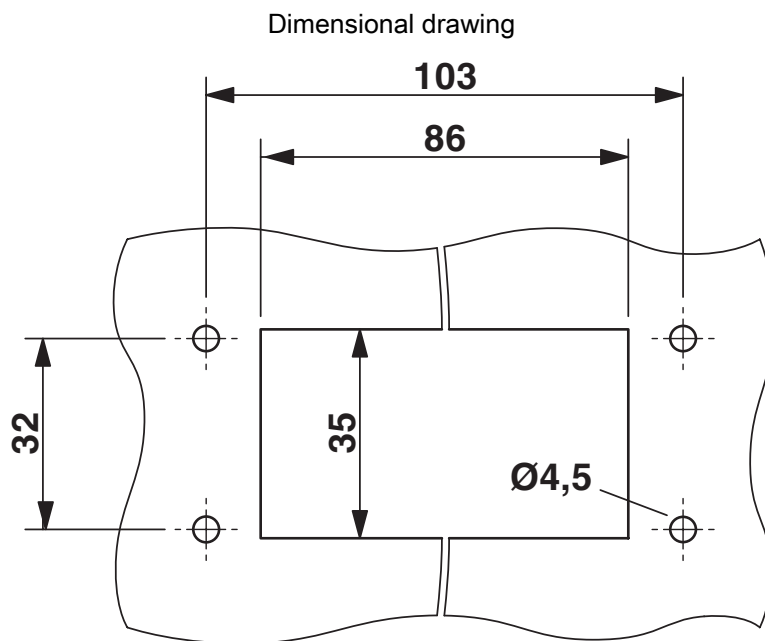
<https://www.phoenixcontact.com/us/products/1046940>

Drawings

Dimensional drawing



Dimensional drawing



Mounting cutout

H3X:C5FF:2U3FF - Housing



1046940

<https://www.phoenixcontact.com/us/products/1046940>

Classifications

ECLASS

ECLASS-13.0	27440113
ECLASS-15.0	27440113

ETIM

ETIM 9.0	EC002636
----------	----------

H3X:C5FF:2U3FF - Housing



1046940

<https://www.phoenixcontact.com/us/products/1046940>

Environmental product compliance

EU RoHS

Fulfills EU RoHS substance requirements	Yes, No exemptions
---	--------------------

China RoHS

Environment friendly use period (EFUP)	EFUP-50
	An article-related China RoHS declaration table can be found in the download area for the respective article under "Manufacturer declaration". For all articles with EFUP-E, no China RoHS declaration table issued and required.

EU REACH SVHC

REACH candidate substance (CAS No.)	No substance above 0.1 wt%
-------------------------------------	----------------------------

Phoenix Contact 2026 © - all rights reserved

<https://www.phoenixcontact.com>

Phoenix Contact USA
586 Fulling Mill Road
Middletown, PA 17057, United States
(+717) 944-1300
info@phoenixcon.com