

# HC-BS-PG9 - Screw plug

1046669

<https://www.phoenixcontact.com/us/products/1046669>

Please be informed that the data shown in this PDF document is generated from our online catalog. Please find the complete data in the user documentation. Our general terms of use for downloads are valid.

Screw plug, material for screw connection: Brass, nickel-plated, connecting thread: Pg9, color: silver-colored



## Commercial data

Item number	1046669
Packing unit	10 pc
Minimum order quantity	10 pc
Sales key	BF68
Product key	AF7DZX
GTIN	4055626642970
Weight per piece (including packing)	4.9 g
Weight per piece (excluding packing)	5.2 g
Customs tariff number	74198090
Country of origin	DE

# HC-BS-PG9 - Screw plug

1046669

<https://www.phoenixcontact.com/us/products/1046669>

## Technical data

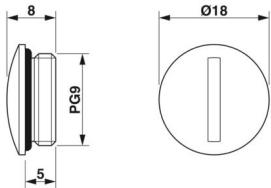
### Product properties

Product type	Plug for cable screw gland
--------------	----------------------------

### Connection data

Tightening torque	4.1 Nm
-------------------	--------

### Dimensions

Dimensional drawing	
Length	8 mm
Length of the connecting thread	5 mm
Diameter	18 mm
Diameter	18 mm
Thread type connection side	Pg9

### Material specifications

Color	brass color
Seal material O-ring	NBR
Housing surface material	Ni
Material for screw connection	Brass, nickel-plated

### Environmental and real-life conditions

#### Ambient conditions

Degree of protection	IP68
----------------------	------

# HC-BS-PG9 - Screw plug

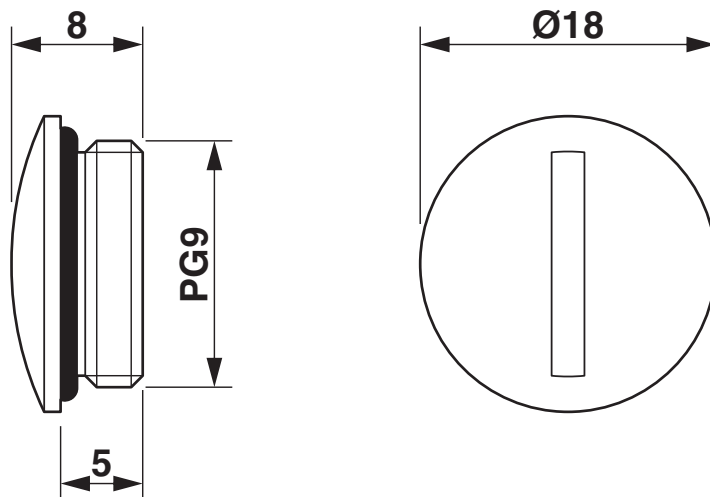
1046669

<https://www.phoenixcontact.com/us/products/1046669>



## Drawings

Dimensional drawing



# HC-BS-PG9 - Screw plug



1046669

<https://www.phoenixcontact.com/us/products/1046669>

## Classifications

### ECLASS

ECLASS-13.0	23111190
ECLASS-15.0	27140805

### ETIM

ETIM 10.0	EC002374
-----------	----------

### UNSPSC

UNSPSC 21.0	31261500
-------------	----------

# HC-BS-PG9 - Screw plug



1046669

<https://www.phoenixcontact.com/us/products/1046669>

## Environmental product compliance

### EU RoHS

Fulfills EU RoHS substance requirements	Yes
Exemption	6(c)

### China RoHS

Environment friendly use period (EFUP)	EFUP-50
	An article-related China RoHS declaration table can be found in the download area for the respective article under "Manufacturer declaration". For all articles with EFUP-E, no China RoHS declaration table issued and required.

### EU REACH SVHC

REACH candidate substance (CAS No.)	Lead(CAS: 7439-92-1)
SCIP	c552f159-c8e3-4df4-966d-8490c02b8c04

Phoenix Contact 2026 © - all rights reserved

<https://www.phoenixcontact.com>

Phoenix Contact USA  
586 Fulling Mill Road  
Middletown, PA 17057, United States  
(+717) 944-1300  
[info@phoenixcon.com](mailto:info@phoenixcon.com)