

HC-M-BS-M12 - Screw plug

1046636

<https://www.phoenixcontact.com/us/products/1046636>

Please be informed that the data shown in this PDF document is generated from our online catalog. Please find the complete data in the user documentation. Our general terms of use for downloads are valid.



Screw plug, material for screw connection: Brass, nickel-plated, connecting thread: M12 x 1.5, color: silver-colored

Commercial data

Item number	1046636
Packing unit	10 pc
Minimum order quantity	10 pc
Sales key	BF68
Product key	AF7DZX
GTIN	4055626643540
Weight per piece (including packing)	4.6 g
Weight per piece (excluding packing)	4.48 g
Customs tariff number	74198090
Country of origin	DE

HC-M-BS-M12 - Screw plug

1046636

<https://www.phoenixcontact.com/us/products/1046636>

Technical data

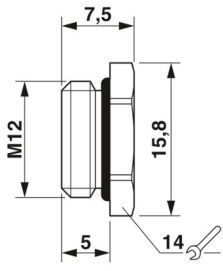
Product properties

Product type	Plug for cable screw gland
--------------	----------------------------

Connection data

Tightening torque	5.3 Nm
-------------------	--------

Dimensions

Dimensional drawing	
Length	7.5 mm
Length of the connecting thread	5 mm
Wrench size, union nut	14 mm
Hexagon angular dimension	14 mm
Thread type connection side	M12 x 1.5
Thread pitch	1.5 mm

Material specifications

Color	brass color
Seal material O-ring	NBR
Housing surface material	Ni
Material for screw connection	Brass, nickel-plated

Cable/line

Halogen-free	no
--------------	----

Environmental and real-life conditions

Ambient conditions

Degree of protection	IP68
Ambient temperature (operation)	-20 °C ... 80 °C

HC-M-BS-M12 - Screw plug

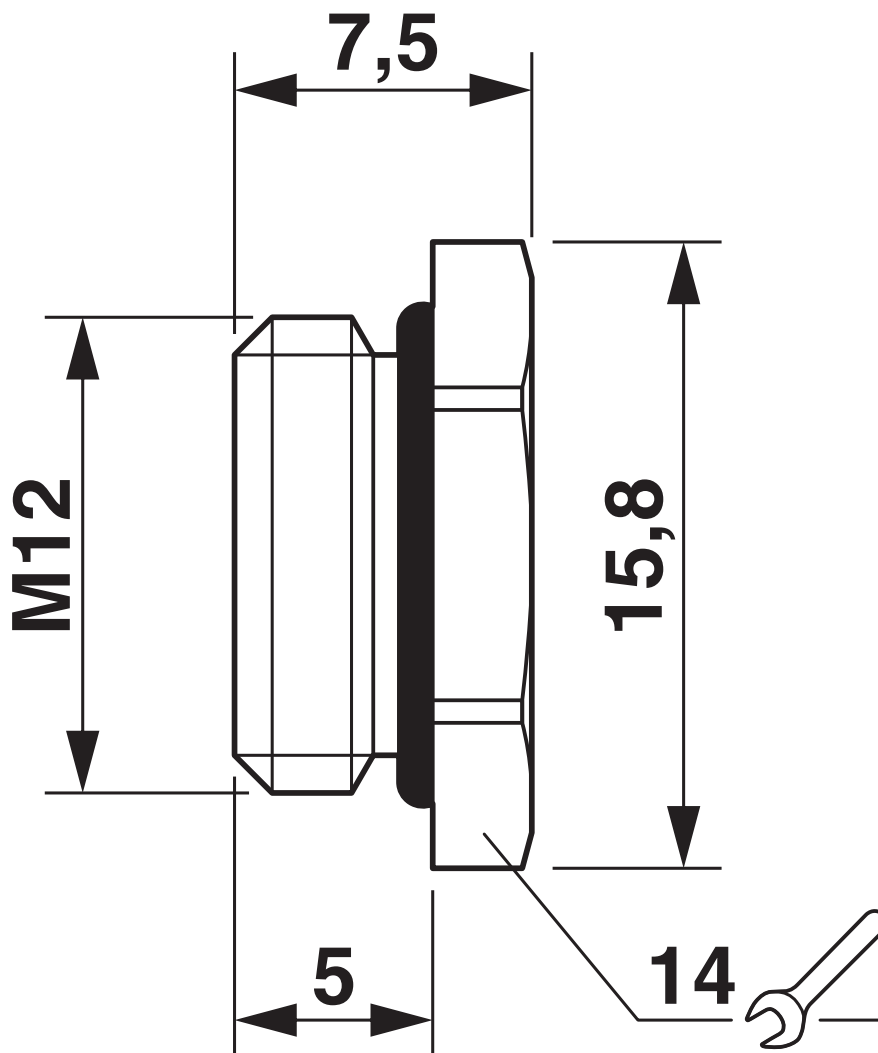
1046636

<https://www.phoenixcontact.com/us/products/1046636>



Drawings

Dimensional drawing



HC-M-BS-M12 - Screw plug



1046636

<https://www.phoenixcontact.com/us/products/1046636>

Classifications

ECLASS

ECLASS-15.0	27140805
ECLASS-13.0	23111190

ETIM

ETIM 10.0	EC002374
-----------	----------

UNSPSC

UNSPSC 21.0	31261500
-------------	----------

HC-M-BS-M12 - Screw plug



1046636

<https://www.phoenixcontact.com/us/products/1046636>

Environmental product compliance

EU RoHS

Fulfills EU RoHS substance requirements	Yes
Exemption	6(c)

China RoHS

Environment friendly use period (EFUP)	EFUP-50
	An article-related China RoHS declaration table can be found in the download area for the respective article under "Manufacturer declaration". For all articles with EFUP-E, no China RoHS declaration table issued and required.

EU REACH SVHC

REACH candidate substance (CAS No.)	Lead(CAS: 7439-92-1)
SCIP	2d18cd12-76c2-439e-b4ca-015e78264ea6

Phoenix Contact 2026 © - all rights reserved

<https://www.phoenixcontact.com>

Phoenix Contact USA
586 Fulling Mill Road
Middletown, PA 17057, United States
(+717) 944-1300
info@phoenixcon.com