

A-INSP-M16-68N-P-BK - Screw plug



1045817

<https://www.phoenixcontact.com/us/products/1045817>

Please be informed that the data shown in this PDF document is generated from our online catalog. Please find the complete data in the user documentation. Our general terms of use for downloads are valid.

Screw plug, material for screw connection: PA, connecting thread: M16 x 1.5, color: jet black RAL 9005, with O-ring



Commercial data

Item number	1045817
Packing unit	10 pc
Minimum order quantity	10 pc
Sales key	BF68
Product key	AF7DZX
GTIN	4055626638164
Weight per piece (including packing)	4.29 g
Weight per piece (excluding packing)	4.29 g
Customs tariff number	39269097
Country of origin	DE

A-INSP-M16-68N-P-BK - Screw plug

1045817

<https://www.phoenixcontact.com/us/products/1045817>

Technical data

Product properties

Product type	Plug for cable screw gland
Manufacturer	WISKA
Manufacturer Designation	EVSG-ORD 16

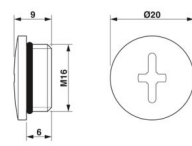
Connection data

Tightening torque	1 Nm
-------------------	------

Ex data

Suited for EX-applications	no
----------------------------	----

Dimensions

Dimensional drawing	
Height	9 mm
Length	9 mm
Length of the connecting thread	6 mm
Hexagon angular dimension	20 mm
Thread type connection side	M16 x 1.5
Thread pitch	1.5 mm

Material specifications

Seal material O-ring	EPDM
Material for screw connection	PA

Environmental and real-life conditions

Ambient conditions

Degree of protection	IP68
	IP66
Ambient temperature (operation)	-40 °C ... 100 °C

A-INSP-M16-68N-P-BK - Screw plug

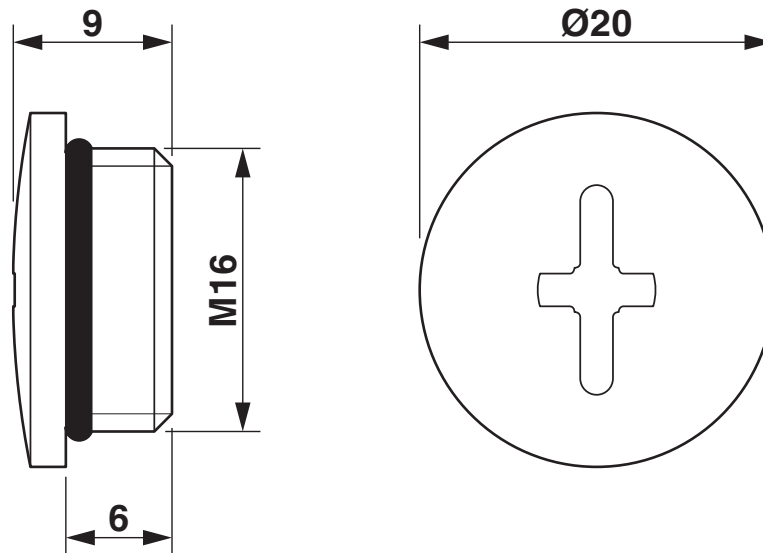
1045817

<https://www.phoenixcontact.com/us/products/1045817>



Drawings

Dimensional drawing



Dimensional drawing

A-INSP-M16-68N-P-BK - Screw plug



1045817

<https://www.phoenixcontact.com/us/products/1045817>

Classifications

ECLASS

ECLASS-13.0	23111190
ECLASS-15.0	27140805

ETIM

ETIM 10.0	EC000032
-----------	----------

UNSPSC

UNSPSC 21.0	31261500
-------------	----------

A-INSP-M16-68N-P-BK - Screw plug



1045817

<https://www.phoenixcontact.com/us/products/1045817>

Environmental product compliance

EU RoHS

Fulfills EU RoHS substance requirements	Yes, No exemptions
---	--------------------

China RoHS

Environment friendly use period (EFUP)	EFUP-E
	No hazardous substances above the limits

EU REACH SVHC

REACH candidate substance (CAS No.)	No substance above 0.1 wt%
-------------------------------------	----------------------------

EF3.1 Climate Change

CO2e kg	0.038 kg CO2e
---------	---------------

Phoenix Contact 2026 © - all rights reserved
<https://www.phoenixcontact.com>

Phoenix Contact USA
586 Fulling Mill Road
Middletown, PA 17057, United States
(+717) 944-1300
info@phoenixcon.com