

SAC-5P-M12MR/ 1,1-PUR/M12FR SH - Sensor/actuator cable



1045558

<https://www.phoenixcontact.com/us/products/1045558>

Please be informed that the data shown in this PDF document is generated from our online catalog. Please find the complete data in the user documentation. Our general terms of use for downloads are valid.



Sensor/actuator cable, 5-position, PUR halogen-free, black-gray RAL 7021, shielded (Advanced Shielding Technology), Plug angled M12 SPEEDCON, coding: A, on Socket angled M12 SPEEDCON, coding: A, cable length: 1.1 m

Commercial data

Item number	1045558
Packing unit	1 pc
Minimum order quantity	25 pc
Product key	AF1CKA
GTIN	4055626639017
Weight per piece (including packing)	77.5 g
Weight per piece (excluding packing)	77.5 g
Country of origin	PL

SAC-5P-M12MR/ 1,1-PUR/M12FR SH - Sensor/actuator cable



1045558

<https://www.phoenixcontact.com/us/products/1045558>

Technical data

Product properties

Product type	Sensor/actuator cable
Number of positions	5
Shielded	yes

Connector

Connection 1

Type	Plug angled M12 SPEEDCON
Number of positions	5
Locking type	SPEEDCON
Coding type	A

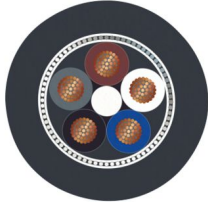
Connection 2

Type	Socket angled M12 SPEEDCON
Number of positions	5
Locking type	SPEEDCON
Coding type	A

Cable/line

Cable length	1.1 m
--------------	-------

PUR halogen-free black [PUR]

Dimensional drawing	
Cable weight	43 kg/km
UL AWM Style	20549 / 10493 (80°C/300 V)
Number of positions	5
Shielded	yes
Cable type	PUR halogen-free black [PUR]
Conductor structure signal line	42x 0.10 mm
AWG signal line	22
Conductor cross-section	5x 0.34 mm ² (Signal line)
Wire diameter incl. insulation	1.27 mm ±0.02 mm (Signal line)
External cable diameter	5.25 mm ±0.2 mm
Outer sheath, material	PUR
External sheath, color	black-gray RAL 7021

SAC-5P-M12MR/ 1,1-PUR/M12FR SH - Sensor/actuator cable



1045558

<https://www.phoenixcontact.com/us/products/1045558>

Conductor material	Bare Cu litz wires
Material wire insulation	PP
Single wire, color	brown, white, blue, black, gray
Thickness, insulation	≥ 0.21 mm
Thickness, outer sheath	approx. 0.50 mm
Overall twist	5 wires around filler to the core
Optical shield covering	80 %
Max. conductor resistance	max. 57 Ω/km (at 20 °C)
Insulation resistance	70 GΩ*km (at 20 °C)
Nominal voltage, cable	300 V (at 20 °C)
Test voltage Core/Core	3000 V (at 20 °C)
Smallest bending radius, fixed installation	26 mm
Smallest bending radius, movable installation	52 mm (up to +60 °C)
Dynamic load capacity (bending)	Max. bending cycles: 10000000, Bending radius: 52 mm, Traversing path: 10 m, Traversing rate: 3 m/s, Acceleration: 10 m/s ²
Dynamic load capacity (torsion)	Torsion: ±180 °/m, Torsion cycles: ≥5000000, Torsional frequency: 35 cycles/min.
Halogen-free	in accordance with DIN VDE 0472 part 815
	in accordance with DIN EN 50267-2-1
Flame resistance	in accordance with UL 758/1581 FT2
	DIN EN 60332-2-2 (20 s)
Resistance to oil	in accordance with DIN EN 60811-2-1
Other resistance	Highly resistant to acids, alkaline solutions and solvents
	hydrolysis and microbe resistant
	Resistant to salt water
	partly UV-resistant (in accordance with DIN EN ISO 4892-2-A)
	abrasion-resistant
Special properties	Flexible cable conduit capable
	Silicone-free
	Free of substances which would hinder coating with paint or varnish
	Low adhesion surface
Ambient temperature (operation)	-40 °C ... 80 °C (cable, fixed installation)
	-25 °C ... 80 °C (Cable, flexible installation)

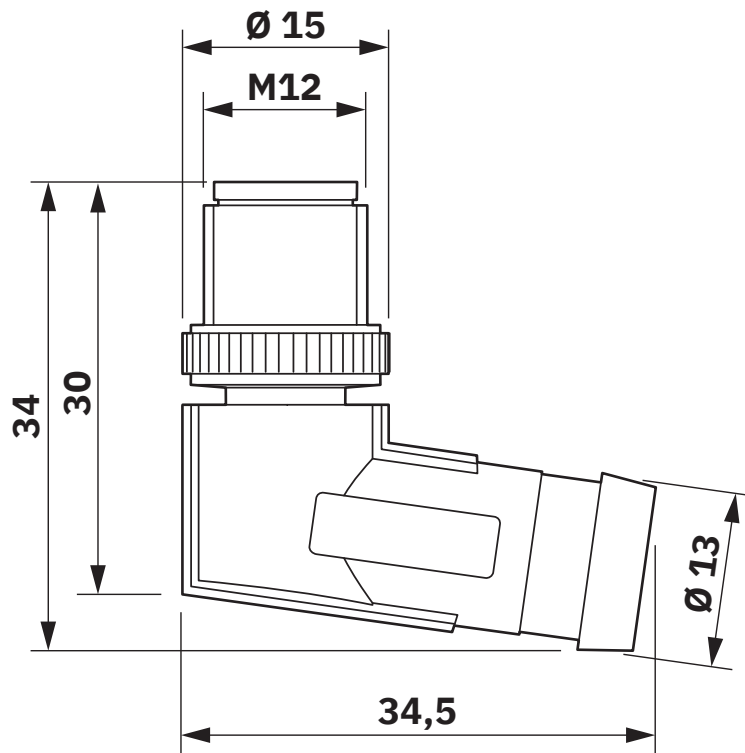
SAC-5P-M12MR/ 1,1-PUR/M12FR SH - Sensor/actuator cable

1045558

<https://www.phoenixcontact.com/us/products/1045558>

Drawings

Dimensional drawing



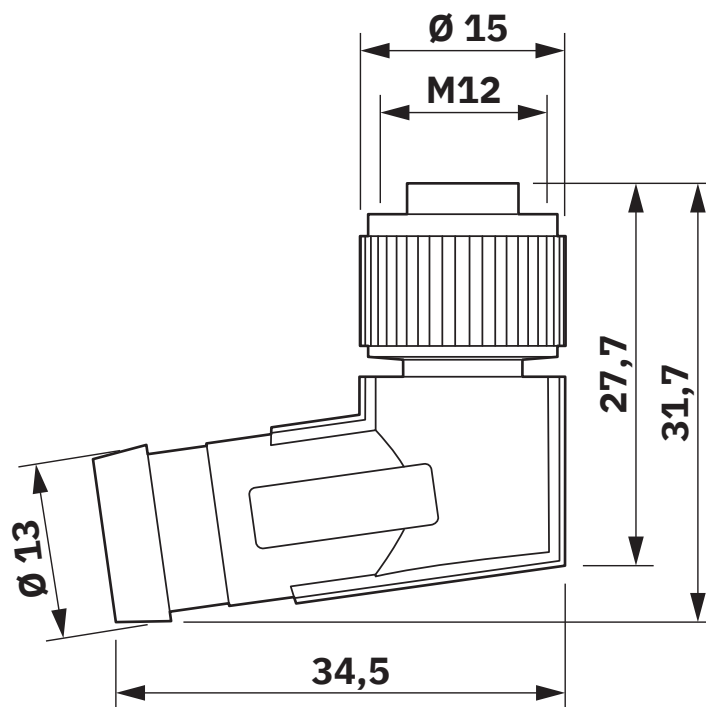
M12 x 1 male plug, angled, shielded

SAC-5P-M12MR/ 1,1-PUR/M12FR SH - Sensor/actuator cable

1045558

<https://www.phoenixcontact.com/us/products/1045558>

Dimensional drawing



M12 x 1 male plug, angled, shielded

SAC-5P-M12MR/ 1,1-PUR/M12FR SH - Sensor/actuator cable



1045558

<https://www.phoenixcontact.com/us/products/1045558>

Approvals

To download certificates, visit the product detail page: <https://www.phoenixcontact.com/us/products/1045558>

 UL Listed Approval ID: FILE E 221474				
	Nominal voltage U_N	Nominal current I_N	Cross section AWG	Cross section mm^2
keine				
	125 V	4 A	-	-

 cUL Listed Approval ID: FILE E 221474				
	Nominal voltage U_N	Nominal current I_N	Cross section AWG	Cross section mm^2
keine				
	125 V	4 A	-	-

SAC-5P-M12MR/ 1,1-PUR/M12FR SH - Sensor/actuator cable



1045558

<https://www.phoenixcontact.com/us/products/1045558>

Classifications

ECLASS

ECLASS-13.0	27060311
ECLASS-15.0	27060311

ETIM

ETIM 10.0	EC001855
-----------	----------

UNSPSC

UNSPSC 21.0	26121600
-------------	----------

SAC-5P-M12MR/ 1,1-PUR/M12FR SH - Sensor/actuator cable



1045558

<https://www.phoenixcontact.com/us/products/1045558>

Environmental product compliance

EU RoHS

Fulfills EU RoHS substance requirements	Yes, No exemptions
---	--------------------

China RoHS

Environment friendly use period (EFUP)	EFUP-E
	No hazardous substances above the limits

EU REACH SVHC

REACH candidate substance (CAS No.)	No substance above 0.1 wt%
-------------------------------------	----------------------------

Phoenix Contact 2026 © - all rights reserved
<https://www.phoenixcontact.com>

Phoenix Contact USA
586 Fulling Mill Road
Middletown, PA 17057, United States
(+717) 944-1300
info@phoenixcon.com