

EC-PC 6/ 3-ST-BUS - Insulating part

1044820

<https://www.phoenixcontact.com/us/products/1044820>

Please be informed that the data shown in this PDF document is generated from our online catalog. Please find the complete data in the user documentation. Our general terms of use for downloads are valid.



Insulator cap, color: green, product range: EC-PC 6/..-ST-BUS, width: 36.4 mm

Your advantages

- Tool-free assembly for simple touch protection
- Application-specific insulation thanks to individually removable insulating caps

Commercial data

Item number	1044820
Packing unit	25 pc
Minimum order quantity	25 pc
Sales key	AA08
Product key	AAHZBK
GTIN	4055626633947
Weight per piece (including packing)	2.798 g
Weight per piece (excluding packing)	2.758 g
Customs tariff number	85389099
Country of origin	DE

EC-PC 6/ 3-ST-BUS - Insulating part

1044820

<https://www.phoenixcontact.com/us/products/1044820>

Technical data

Notes

Notes on operation	In accordance with IEC 61984, COMBICON connectors have no switching power (COC). During designated use, they must not be plugged in or disconnected when carrying voltage or under load.
--------------------	--

Product properties

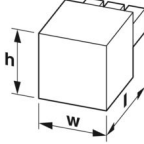
Product type	Insulator cap
Product family	EC-PC 6/...-ST-BUS
Product line	COMBICON Connectors L
Number of positions	3
Pitch	0 mm
Number of rows	1

Electrical properties

Properties

Nominal current I_N	32 A
Nominal voltage U_N	1000 V
Contact resistance	0.7 m Ω
Rated voltage (III/3)	1000 V
Rated surge voltage (III/3)	8 kV
Rated voltage (III/2)	1000 V
Rated surge voltage (III/2)	8 kV
Rated voltage (II/2)	1000 V
Rated surge voltage (II/2)	6 kV

Dimensions

Dimensional drawing	
Pitch	7.62 mm
Width [w]	36.4 mm
Height [h]	27.07 mm
Length [l]	13 mm
Installed height	27.07 mm

Material specifications

Material data - contact

Note	WEEE/RoHS-compliant, free of whiskers according to IEC 60068-2-82/JEDEC JESD 201
------	--

EC-PC 6/ 3-ST-BUS - Insulating part



1044820

<https://www.phoenixcontact.com/us/products/1044820>

Contact material	Cu alloy
Surface characteristics	hot-dip tin-plated
Metal surface terminal point (top layer)	Tin (4 µm - 8 µm Sn)
Metal surface contact area (top layer)	Tin (4 µm - 8 µm Sn)

Material data - housing

Color (Housing)	green (6021)
Insulating material	PA
Insulating material group	I
CTI according to IEC 60112	600
Flammability rating according to UL 94	V0
Glow wire flammability index GWFI according to EN 60695-2-12	850
Glow wire ignition temperature GWIT according to EN 60695-2-13	775
Temperature for the ball pressure test according to EN 60695-10-2	125 °C

Connector

Connection 1

Insulating material	PA
CTI according to IEC 60112	600

Electrical tests

Thermal test | Test group C

Specification	IEC 60512-5-1:2002-02
Tested number of positions	3

Short-time withstand current

Specification	IEC 60998-2-3:2002-12
---------------	-----------------------

Insulation resistance

Specification	IEC 60512-3-1:2002-02
Insulation resistance, neighboring positions	> 5 MΩ

Temperature cycles

Specification	IEC 60998-2-3:2002-12
Result	Test passed

Air clearances and creepage distances |

Specification	IEC 60664-1:2007-04
Insulating material group	I
Comparative tracking index (IEC 60112)	CTI 600
Rated insulation voltage (III/3)	1000 V
Rated surge voltage (III/3)	8 kV
minimum clearance value - non-homogenous field (III/3)	8 mm
minimum creepage distance (III/3)	12.5 mm

EC-PC 6/ 3-ST-BUS - Insulating part



1044820

<https://www.phoenixcontact.com/us/products/1044820>

Rated insulation voltage (III/2)	1000 V
Rated surge voltage (III/2)	8 kV
minimum clearance value - non-homogenous field (III/2)	8 mm
minimum creepage distance (III/2)	8 mm
Rated insulation voltage (II/2)	1000 V
Rated surge voltage (II/2)	6 kV
minimum clearance value - non-homogenous field (II/2)	5.5 mm
minimum creepage distance (II/2)	5.5 mm

Mechanical tests

Conductor connection

Specification	IEC 60998-2-3:2002-12
Result	Test passed

Test for conductor damage and slackening

Specification	IEC 60998-2-3:2002-12
Result	Test passed

Repeated connection and disconnection

Specification	IEC 60998-2-3:2002-12
Result	Test passed

Pull-out test

Specification	IEC 60998-2-3:2002-12
Conductor cross-section/conductor type/tractive force setpoint/actual value	16 mm ² / flexible / > 100 N

Insertion and withdrawal forces

Result	Test passed
No. of cycles	25
Insertion strength per pos. approx.	13 N
Withdraw strength per pos. approx.	16 N

Torque test

Specification	IEC 60998-2-3:2002-12
---------------	-----------------------

Contact holder in insert

Specification	IEC 60512-15-1:2008-05
Contact holder in insert Requirements >20 N	Test passed

Resistance of inscriptions

Specification	IEC 60068-2-70:1995-12
Result	Test passed

Polarization and coding

Specification	IEC 60512-13-5:2006-02
Result	Test passed

EC-PC 6/ 3-ST-BUS - Insulating part



1044820

<https://www.phoenixcontact.com/us/products/1044820>

Visual inspection

Specification	IEC 60512-1-1:2002-02
Result	Test passed

Dimension check

Specification	IEC 60512-1-2:2002-02
Result	Test passed

Environmental and real-life conditions

Durability test

Specification	IEC 60512-9-1:2010-03
Impulse withstand voltage at sea level	9.8 kV
Contact resistance R_1	0.7 m Ω
Contact resistance R_2	0.7 m Ω
Insertion/withdrawal cycles	25
Insulation resistance, neighboring positions	> 5 M Ω

Climatic test

Specification	ISO 6988:1985-02
Corrosive stress	0.2 dm ³ SO ₂ on 300 dm ³ /40 °C/1 cycle
Thermal stress	100 °C/168 h
Power-frequency withstand voltage	4.26 kV

Vibration test

Specification	IEC 60068-2-6:2007-12
Frequency	10 - 150 - 10 Hz
Sweep speed	1 octave/min
Amplitude	0.35 mm (10 Hz ... 60.1 Hz)
Acceleration	50 m/s ² (60.1 Hz ... 150 Hz)
Test duration per axis	2.5 h
Test directions	X-, Y- and Z-axis

Glow-wire test

Specification	IEC 60998-1:2002-12
Temperature	850 °C
Time of exposure	5 s

Glow-wire test

Specification	IEC 60998-1:2002-12
Temperature	650 °C
Time of exposure	5 s

Ambient conditions

Ambient temperature (storage/transport)	-40 °C ... 70 °C
Relative humidity (storage/transport)	30 % ... 70 %
Ambient temperature (assembly)	-5 °C ... 40 °C (Depending on the conductor insulation)

EC-PC 6/ 3-ST-BUS - Insulating part



1044820

<https://www.phoenixcontact.com/us/products/1044820>

Ambient temperature (operation)	-40 °C ... 100 °C (dependent on the derating curve)
---------------------------------	---

Ambient conditions

Ambient temperature (operation)	-40 °C ... 100 °C (dependent on the derating curve)
Ambient temperature (storage/transport)	-40 °C ... 70 °C
Relative humidity (storage/transport)	30 % ... 70 %
Ambient temperature (assembly)	-5 °C ... 40 °C (Depending on the conductor insulation)

EC-PC 6/ 3-ST-BUS - Insulating part

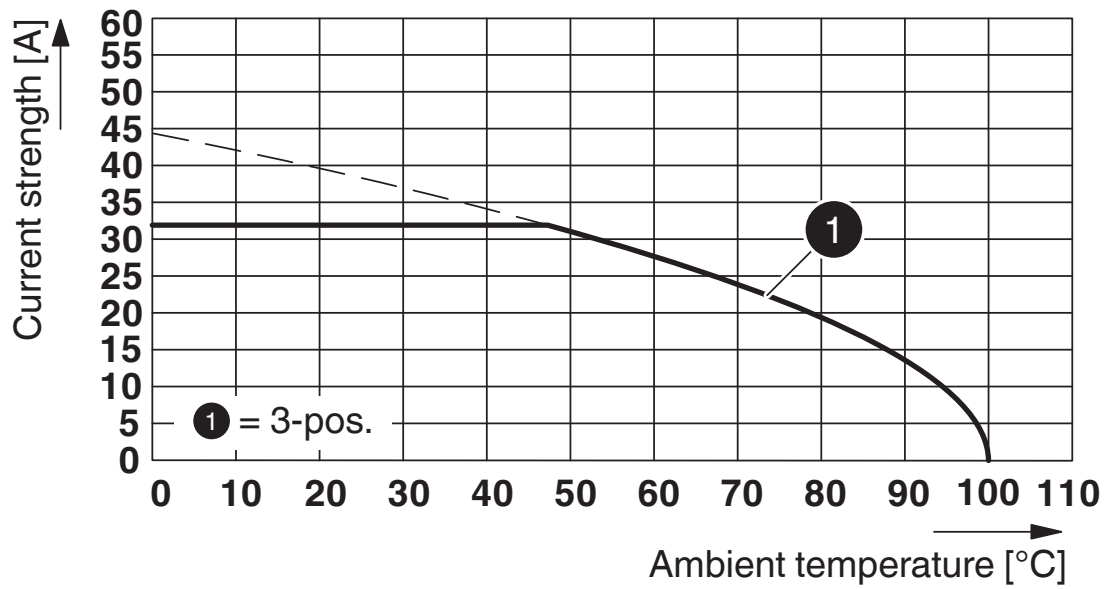


1044820

<https://www.phoenixcontact.com/us/products/1044820>

Drawings

Diagram



Type: PC 6/...-ST-BUS-7,62 with PC 6/...-G1-7,62 BK

EC-PC 6/ 3-ST-BUS - Insulating part



1044820

<https://www.phoenixcontact.com/us/products/1044820>

Classifications

ECLASS

ECLASS-13.0	27460405
ECLASS-15.0	27460405

ETIM

ETIM 10.0	EC002943
-----------	----------

UNSPSC

UNSPSC 21.0	39121400
-------------	----------

EC-PC 6/ 3-ST-BUS - Insulating part



1044820

<https://www.phoenixcontact.com/us/products/1044820>

Environmental product compliance

EU RoHS

Fulfills EU RoHS substance requirements	Yes, No exemptions
---	--------------------

China RoHS

Environment friendly use period (EFUP)	EFUP-E
	No hazardous substances above the limits

EU REACH SVHC

REACH candidate substance (CAS No.)	No substance above 0.1 wt%
-------------------------------------	----------------------------

EF3.1 Climate Change

CO2e kg	0.06 kg CO2e
---------	--------------

Phoenix Contact 2026 © - all rights reserved
<https://www.phoenixcontact.com>

Phoenix Contact USA
586 Fulling Mill Road
Middletown, PA 17057, United States
(+717) 944-1300
info@phoenixcon.com