

# NBC-PP-A1PRD:10 - Port Guard Security Element



1041900

<https://www.phoenixcontact.com/us/products/1041900>

Please be informed that the data shown in this PDF document is generated from our online catalog. Please find the complete data in the user documentation. Our general terms of use for downloads are valid.



Port Guard Security Element

## Product description

Port Guard Security Element, for securing the RJ45 interface against unauthorized access, with key element

## Your advantages

- Perfect for industrial applications
- Compact angle
- Perfect for office, building, and protected industrial applications (e.g., in control cabinets)

## Commercial data

Item number	1041900
Packing unit	10 pc
Minimum order quantity	10 pc
Sales key	AB18
Product key	ABNLAZ
GTIN	4055626600321
Weight per piece (including packing)	2.65 g
Weight per piece (excluding packing)	2.6 g
Customs tariff number	85389099
Country of origin	CH

1041900

<https://www.phoenixcontact.com/us/products/1041900>

## Technical data

### Notes

Notes on operation	For RJ45 socket modules
--------------------	-------------------------

### Product properties

Product type	Female insert
Number of slots	1

### Material specifications

Material	PC
----------	----

### Mounting

Mounting type	PCB mounting
---------------	--------------

# NBC-PP-A1PRD:10 - Port Guard Security Element

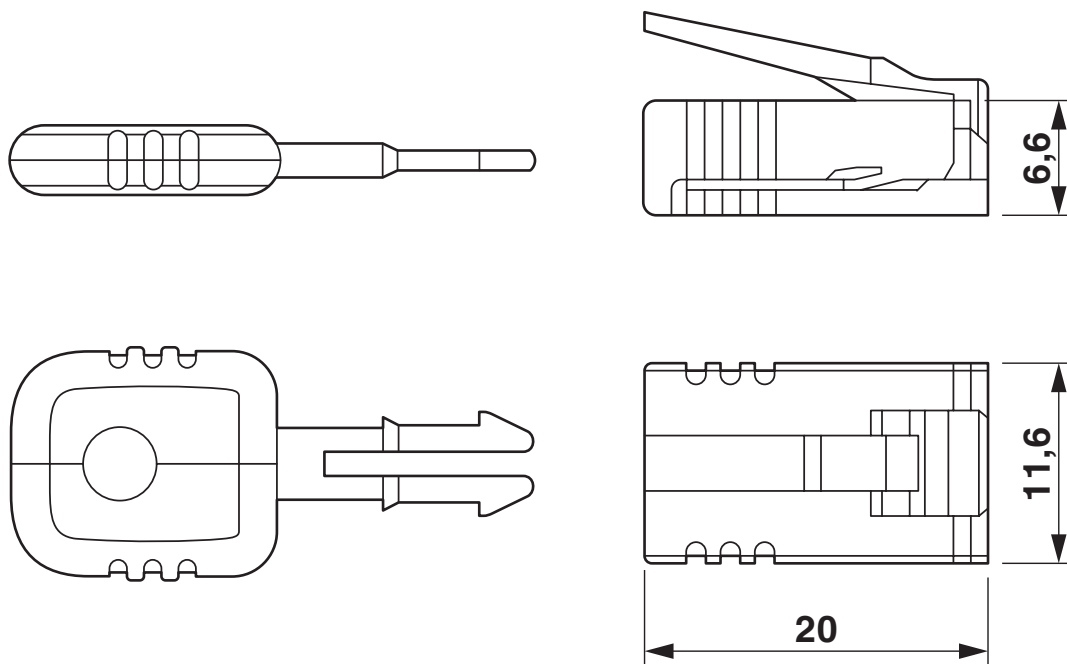


1041900

<https://www.phoenixcontact.com/us/products/1041900>

## Drawings

Dimensional drawing



1041900

<https://www.phoenixcontact.com/us/products/1041900>

## Classifications

### ECLASS

ECLASS-13.0	27440390
ECLASS-15.0	19170192

### ETIM

ETIM 10.0	EC003626
-----------	----------

### UNSPSC

UNSPSC 21.0	26121600
-------------	----------

1041900

<https://www.phoenixcontact.com/us/products/1041900>

## Environmental product compliance

### EU RoHS

Fulfills EU RoHS substance requirements	Yes, No exemptions
---	--------------------

### China RoHS

Environment friendly use period (EFUP)	EFUP-E
	No hazardous substances above the limits

### EU REACH SVHC

REACH candidate substance (CAS No.)	No substance above 0.1 wt%
-------------------------------------	----------------------------

### EF3.1 Climate Change

CO2e kg	0.221 kg CO2e
---------	---------------

Phoenix Contact 2026 © - all rights reserved  
<https://www.phoenixcontact.com>

Phoenix Contact USA  
586 Fulling Mill Road  
Middletown, PA 17057, United States  
(+717) 944-1300  
[info@phoenixcon.com](mailto:info@phoenixcon.com)