

AXL F AI2 AO2 XC 1H - Analog module

1035429

<https://www.phoenixcontact.com/us/products/1035429>

Please be informed that the data shown in this PDF document is generated from our online catalog. Please find the complete data in the user documentation. Our general terms of use for downloads are valid.



The figure shows the standard item

Axioline F, Analog I/O module, Analog inputs: 2, 0 V ... 5 V, -5 V ... 5 V, 0 V ... 10 V, -10 V ... 10 V, 0 mA ... 20 mA, 4 mA ... 20 mA, -20 mA ... 20 mA, connection technology: 2-conductor, Analog outputs: 2, 0 V ... 5 V, -5 V ... 5 V, 0 V ... 10 V, -10 V ... 10 V, 0 mA ... 20 mA, 4 mA ... 20 mA, -20 mA ... 20 mA, connection technology: 2-conductor, transmission speed in the local bus: 100 Mbps, Extreme conditions version, degree of protection: IP20, including bus base module and Axioline F connectors

Product description

The module is designed for use within an Axioline F station. It is used to acquire and output analog voltage and current signals.

Your advantages

- 2 analog differential input channels
- Connection of sensors in 2-conductor technology
- Current ranges: 0 mA ... 20 mA, 4 mA ... 20 mA, ± 20 mA
- Voltage ranges: 0 V ... 10 V, ± 10 V, 0 V ... 5 V, ± 5 V
- 2 analog outputs
- Connection of actuators in 2-conductor technology
- Current ranges: 0 mA ... 20 mA, 4 mA ... 20 mA, ± 20 mA
- Voltage ranges: 0 V ... 10 V, ± 10 V, 0 V ... 5 V, ± 5 V
- Process data update < 150 μ s
- Device rating plate stored
- Can be used under extreme ambient conditions
- Extended temperature range of -40 °C ... +70 °C (see "Tested successfully: use under extreme ambient conditions" in the data sheet)
- Partially coated PCBs

AXL F AI2 AO2 XC 1H - Analog module



1035429

<https://www.phoenixcontact.com/us/products/1035429>

Item number	1035429
Packing unit	1 pc
Minimum order quantity	1 pc
Sales key	DR02
Product key	DRI245
GTIN	4055626541792
Weight per piece (including packing)	247 g
Weight per piece (excluding packing)	197 g
Customs tariff number	85389091
Country of origin	DE

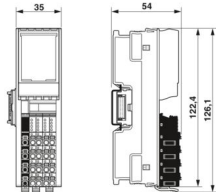
AXL F AI2 AO2 XC 1H - Analog module

1035429

<https://www.phoenixcontact.com/us/products/1035429>

Technical data

Dimensions

Dimensional drawing	
Width	35 mm
Height	126.1 mm
Depth	54 mm
Note on dimensions	The depth applies when a TH 35-7.5 DIN rail is used (in accordance with EN 60715).

Notes

Note on application

Note on application	Only for industrial use
---------------------	-------------------------

Material specifications

Color (Housing)	gray (RAL 7042)
-----------------	-----------------

Interfaces

Axioline F local bus

Number of interfaces	2
Connection method	Bus base module
Transmission speed	100 Mbps

System properties

Programming data (LocalbusSlave)

Input address area	4 Byte
Output address area	4 Byte

Fieldbus data telegram (PROFIBUS)

Required parameter data	11 Byte
Required configuration data	7 Byte

Input data

Analog:

Input name	Analog inputs
Description of the input	Differential inputs, voltage or current can be chosen separately
Number of inputs	2

AXL F AI2 AO2 XC 1H - Analog module



1035429

<https://www.phoenixcontact.com/us/products/1035429>

A/D conversion time	2 μ s
Connection method	Push-in connection
Connection technology	2-conductor
Note regarding the connection technology	shielded, twisted pair
Current input signal	0 mA ... 20 mA
	4 mA ... 20 mA
	-20 mA ... 20 mA
Input resistance current input	104 Ω (typical)
Voltage input signal	0 V ... 5 V
	-5 V ... 5 V
	0 V ... 10 V
	-10 V ... 10 V
Input resistance of voltage input	268 k Ω (typical)
A/D converter resolution	16 bit
Data formats	IB IL, S7-compatible, standardized representation
Input filter	30 Hz, 12 kHz and mean value generation (can be parameterized)
Limit frequency (3 dB)	30 Hz
	12 kHz
Common mode voltage range signal - ground	-50 V DC ... 50 V DC
Measured value representation	16 bits (15 bits + sign bit)
Protective circuit	Transient protection of inputs; Suppressor diode
	Overload protection of the current inputs; No; \pm 5.2 V DC, maximum, $I_{max} = 50$ mA
	Overload protection of the voltage inputs; \pm 30 V DC, maximum

Output data

Analog:

Output name	Analog outputs
Connection method	Push-in connection
Connection technology	2-conductor
Note regarding the connection technology	shielded, twisted pair
Number of outputs	2
D/A converter resolution	16 bit
Protective circuit	Short-circuit and overload protection; electronic
	Transient protection; Suppressor diode
Data formats	IB IL, S7-compatible, standardized representation
Representation of output values	16 bits (15 bits + sign)
Process data update	150 μ s
Current output signal	0 mA ... 20 mA
	4 mA ... 20 mA
	-20 mA ... 20 mA
Load/output load current output	$\leq 500 \Omega$
	0 V ... 5 V

AXL F AI2 AO2 XC 1H - Analog module



1035429

<https://www.phoenixcontact.com/us/products/1035429>

Voltage output signal	-5 V ... 5 V
	0 V ... 10 V
	-10 V ... 10 V
Load/output load voltage output	≥ 2 kΩ

Product properties

Product type	I/O component
Product family	Axioline F
Type	block modular
Mounting position	any (no temperature derating)
Scope of supply	including bus base module and Axioline F connectors
Special properties	Extreme conditions version

Insulation characteristics

Overvoltage category	II (IEC 60664-1, EN 60664-1)
Pollution degree	2 (IEC 60664-1, EN 60664-1)

Electrical properties

Maximum power dissipation for nominal condition	2.75 W
---	--------

Potentials: Axioline F local bus supply (U_{BUS})

Supply voltage	5 V DC (via bus base module)
Current draw	max. 150 mA
	typ. 120 mA

Potentials: Supply for analog modules (U_A)

Supply voltage	24 V DC
Supply voltage range	19.2 V DC ... 30 V DC (including all tolerances, including ripple)
Current draw	max. 80 mA (2 current channels, 24 mA output, 500 Ω load)
	typ. 40 mA
	max. 60 mA (2 voltage channels, 10 V output, 2 kΩ load)
Current consumption	min. 30 mA (internal current consumption, no load, 0 V output)
Protective circuit	Surge protection; electronic (35 V, 0.5 s)
	Reverse polarity protection; Polarity protection diode
	Transient protection; Suppressor diode

Electrical isolation/isolation of the voltage ranges

Test voltage: 5 V supply of the local bus (U_{BUS}) / 24 V supply (I/Os)	500 V AC, 50 Hz, 1 min
Test voltage: 5 V supply of the local bus (U_{BUS}) / analog inputs and outputs	500 V AC, 50 Hz, 1 min
Test voltage: 5 V supply of the local bus (U_{BUS}) / functional ground	500 V AC, 50 Hz, 1 min
Test voltage: 24 V supply (I/O) / analog inputs and outputs	500 V AC, 50 Hz, 1 min
Test voltage: 24 V supply (I/O) / functional ground	500 V AC, 50 Hz, 1 min
Test voltage: Analog inputs and outputs/functional ground	500 V AC, 50 Hz, 1 min

Connection data

Connection technology

Connection name	Axioline F connector
Note on the connection method	Please observe the information provided on conductor cross-sections in the "Axioline F: system and installation" user manual. Applications with UL approval: only use copper conductors.

Axioline F connector

Connection method	Push-in connection
Note on the connection method	Please observe the information provided on conductor cross-sections in the "Axioline F: system and installation" user manual. Applications with UL approval: only use copper conductors.
Conductor cross-section, rigid	0.2 mm ² ... 1.5 mm ²
Conductor cross-section, flexible	0.2 mm ² ... 1.5 mm ²
Conductor cross-section AWG	24 ... 16
Stripping length	8 mm

Environmental and real-life conditions

Ambient conditions

Ambient temperature (operation)	-25 °C ... 60 °C (Standard applications and applications with UL approval) -40 °C ... 70 °C (Extended, see section "Tested successfully: use under extreme ambient conditions" in the data sheet.)
Degree of protection	IP20
Air pressure (operation)	70 kPa ... 106 kPa (up to 3000 m above sea level)
Air pressure (storage/transport)	70 kPa ... 106 kPa (up to 3000 m above sea level)
Ambient temperature (storage/transport)	-40 °C ... 85 °C
Permissible humidity (operation)	5 % ... 95 % (non-condensing)
Permissible humidity (storage/transport)	5 % ... 95 % (non-condensing)

Mechanical test

Vibration resistance in accordance with EN 60068-2-6/IEC 60068-2-6	5g
Shock in accordance with EN 60068-2-27/IEC 60068-2-27	30g
Continuous shock in accordance with EN 60068-2-27/IEC 60068-2-27	10g

Test (noxious gas)

Test standard	ISA-71.04-2013 G3 Harsh Group A IEC 60068-2-60:2015 Method 4
Temperature	25 °C ±1 K
Humidity (relative)	75 % ±3 %
Test duration	21 Days
Volume concentration H ₂ S (Hydrogen sulfide)	50 ppb
Volume concentration NO ₂ (Nitrogen dioxide)	1250 ppb

AXL F AI2 AO2 XC 1H - Analog module



1035429

<https://www.phoenixcontact.com/us/products/1035429>

Volume concentration Cl ₂ (Chlorine)	10 ppb
Volume concentration SO ₂ (Sulfur dioxide)	300 ppb

Standards and regulations

Protection class	III (IEC 61140, EN 61140, VDE 0140-1)
------------------	---------------------------------------

Mounting

Mounting type	DIN rail mounting
Mounting position	any (no temperature derating)

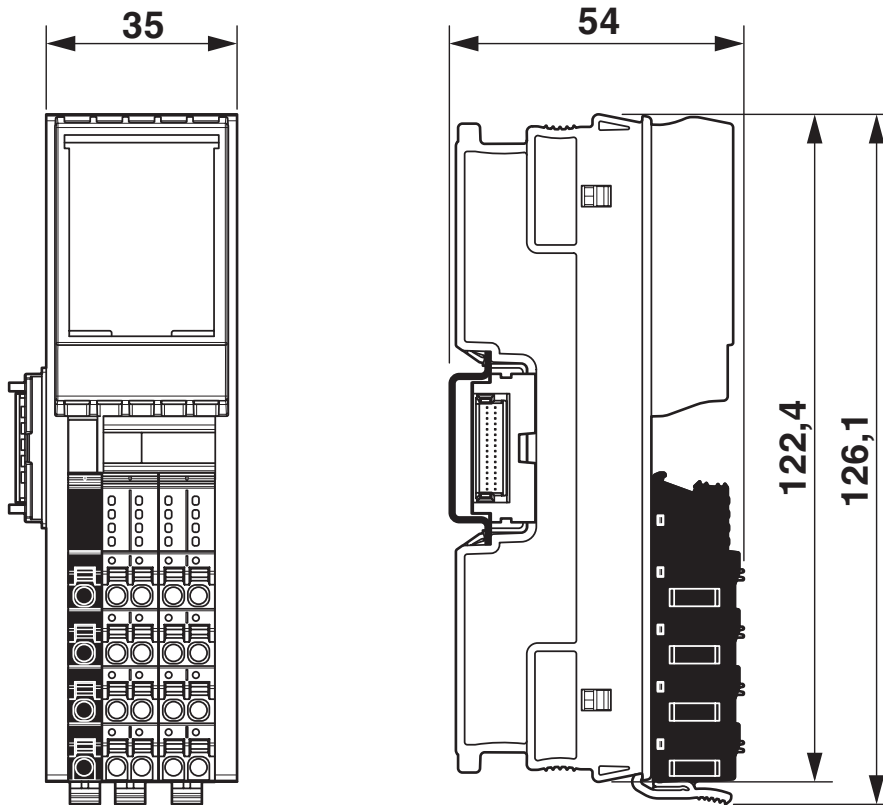
AXL F AI2 AO2 XC 1H - Analog module

1035429

<https://www.phoenixcontact.com/us/products/1035429>

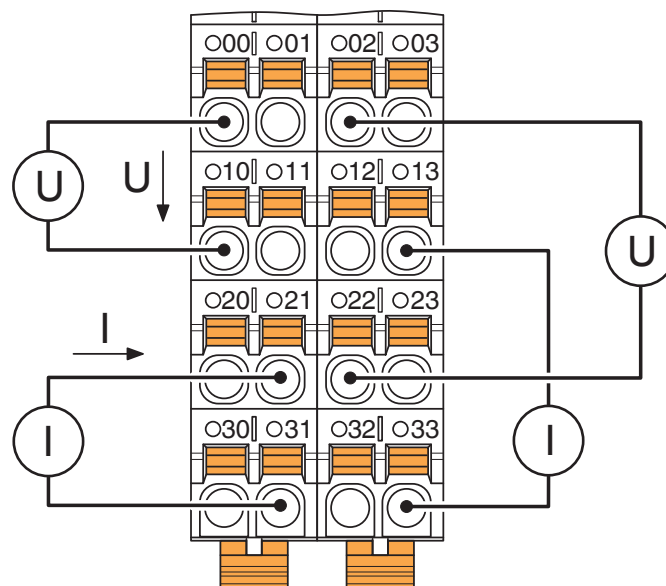
Drawings

Dimensional drawing



Dimensional drawing

Connection diagram



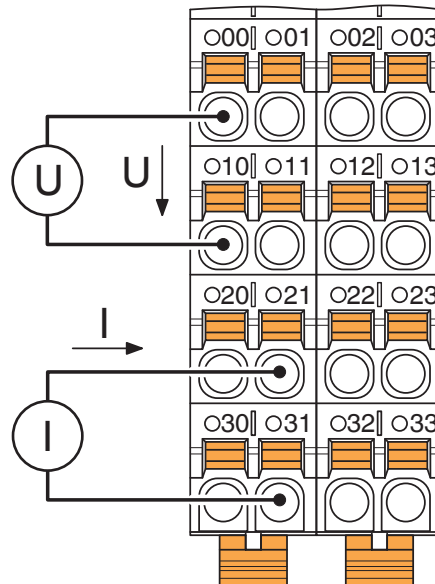
AXL F AI2 AO2 XC 1H - Analog module

1035429

<https://www.phoenixcontact.com/us/products/1035429>

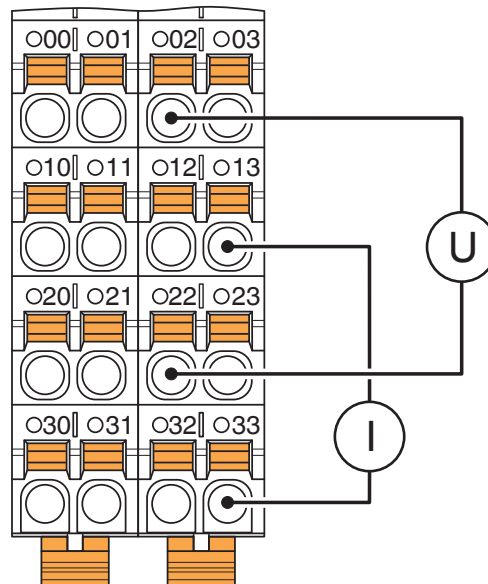


Connection diagram



Connection for voltage and current measurement

Connection diagram



Connection for voltage and current output

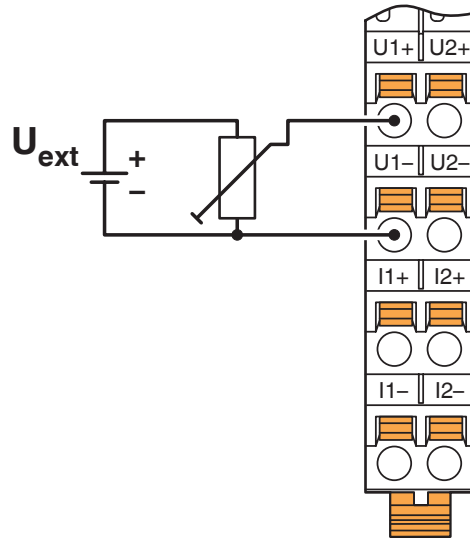
AXL F AI2 AO2 XC 1H - Analog module

1035429

<https://www.phoenixcontact.com/us/products/1035429>

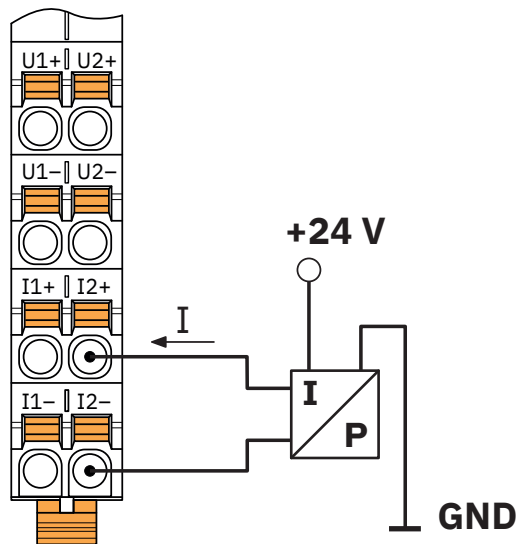


Connection diagram



Connection of potentiometric position sensors

Connection diagram



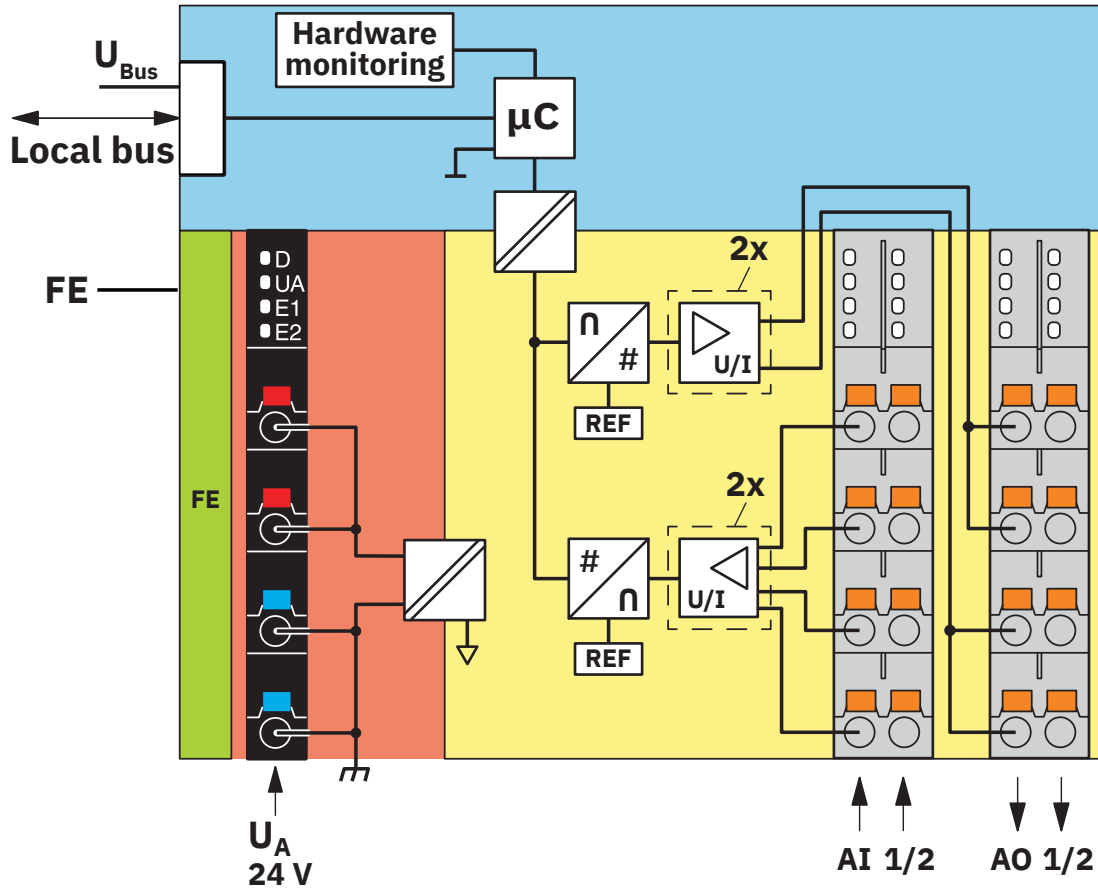
Active pressure sensor at a differential current input

AXL F AI2 AO2 XC 1H - Analog module

1035429

<https://www.phoenixcontact.com/us/products/1035429>

Block diagram



Internal wiring of the terminal points


AXL F AI2 AO2 XC 1H - Analog module



1035429

<https://www.phoenixcontact.com/us/products/1035429>

Approvals

 To download certificates, visit the product detail page: <https://www.phoenixcontact.com/us/products/1035429>

BSH

Approval ID: 840



cULus Listed

Approval ID: E238705

AXL F AI2 AO2 XC 1H - Analog module



1035429

<https://www.phoenixcontact.com/us/products/1035429>

Classifications

ECLASS

ECLASS-13.0	27242601
ECLASS-15.0	27242601

ETIM

ETIM 10.0	EC001596
-----------	----------

UNSPSC

UNSPSC 21.0	32151600
-------------	----------

AXL F AI2 AO2 XC 1H - Analog module



1035429

<https://www.phoenixcontact.com/us/products/1035429>

Environmental product compliance

EU RoHS

Fulfills EU RoHS substance requirements	Yes
Exemption	7(a), 7(c)-I

China RoHS

Environment friendly use period (EFUP)	EFUP-E
	No hazardous substances above the limits

EU REACH SVHC

REACH candidate substance (CAS No.)	Lead(CAS: 7439-92-1)
SCIP	b264ed3a-7d48-401c-91b0-9259bd747205

Phoenix Contact 2026 © - all rights reserved
<https://www.phoenixcontact.com>

Phoenix Contact USA
586 Fulling Mill Road
Middletown, PA 17057, United States
(+717) 944-1300
info@phoenixcon.com