

# HC-B24/6-ADP-SS - Adapter plate

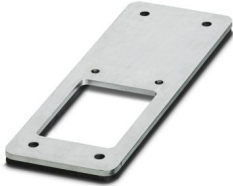


1034215

<https://www.phoenixcontact.com/us/products/1034215>

Please be informed that the data shown in this PDF document is generated from our online catalog. Please find the complete data in the user documentation. Our general terms of use for downloads are valid.

Adapter plate, design: B24 to B6



## Commercial data

Item number	1034215
Packing unit	1 pc
Minimum order quantity	1 pc
Sales key	BF66
Product key	AF7AZD
GTIN	4055626540467
Weight per piece (including packing)	129.6 g
Weight per piece (excluding packing)	129.6 g
Customs tariff number	73269098
Country of origin	DE

# HC-B24/6-ADP-SS - Adapter plate

1034215

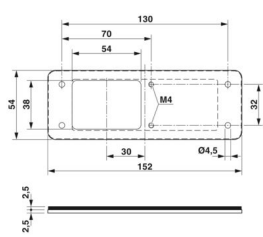
<https://www.phoenixcontact.com/us/products/1034215>

## Technical data

### Product properties

Product type	Adapter plate
Type	B24
Seal present	yes

### Dimensions

Dimensional drawing	
Width	53 mm
Height	5 mm
Length	151 mm
Drill hole distance, horizontal	130 mm
Drill hole distance, vertical	32 mm
Hole diameter	5.5 mm

### Material specifications

Material	Stainless steel 1.4301/AISI 304
Seal material	NBR/SBR

### Environmental and real-life conditions

#### Ambient conditions

Degree of protection	IP54
	IP65
Ambient temperature (operation)	-40 °C ... 125 °C

### Mounting

Assembly note	Torque of the mounting screws 1 ... 2 Nm
---------------	--

# HC-B24/6-ADP-SS - Adapter plate

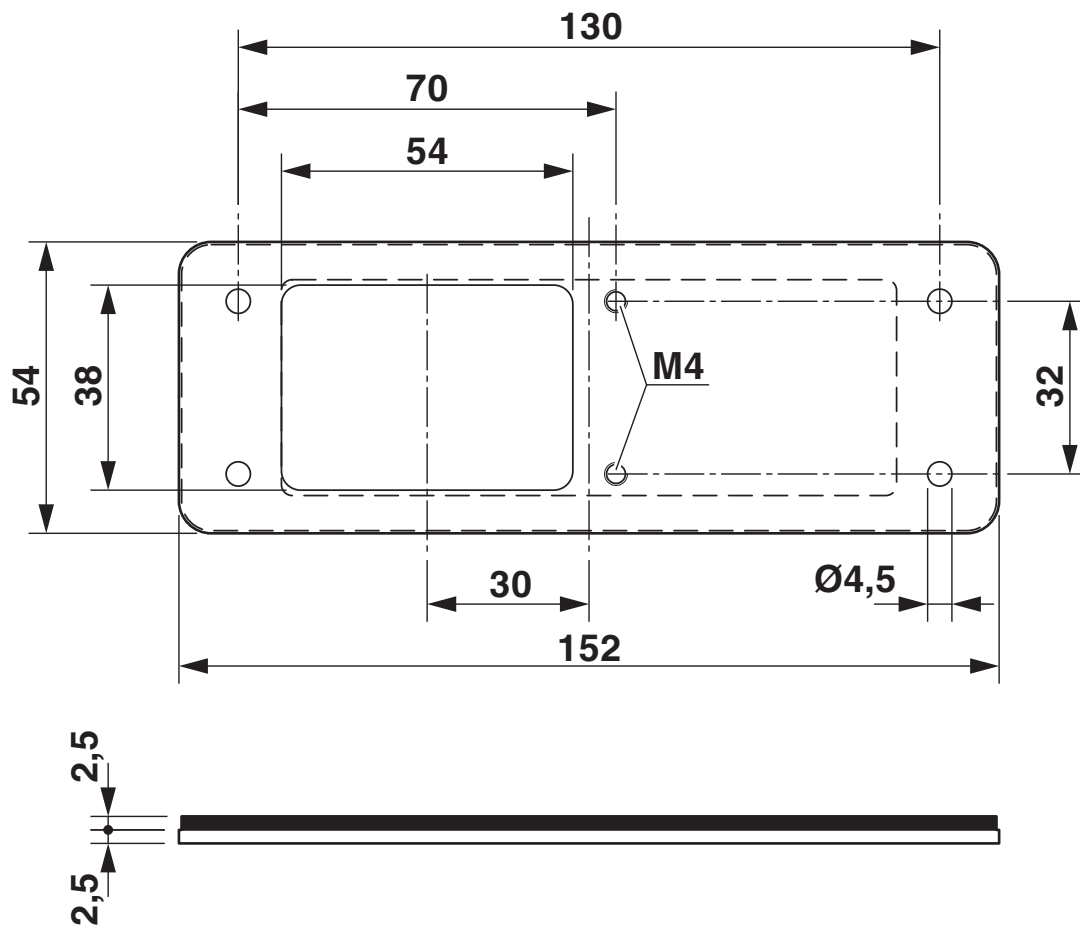


1034215

<https://www.phoenixcontact.com/us/products/1034215>

## Drawings

Dimensional drawing



Dimensional drawing

# HC-B24/6-ADP-SS - Adapter plate



1034215

<https://www.phoenixcontact.com/us/products/1034215>

## Classifications

### ECLASS

ECLASS-13.0	27440201
ECLASS-15.0	27440201

### ETIM

ETIM 10.0	EC002309
-----------	----------

### UNSPSC

UNSPSC 21.0	31261500
-------------	----------

# HC-B24/6-ADP-SS - Adapter plate



1034215

<https://www.phoenixcontact.com/us/products/1034215>

## Environmental product compliance

### EU RoHS

Fulfills EU RoHS substance requirements	Yes, No exemptions
---	--------------------

### China RoHS

Environment friendly use period (EFUP)	EFUP-E
	No hazardous substances above the limits

### EU REACH SVHC

REACH candidate substance (CAS No.)	No substance above 0.1 wt%
-------------------------------------	----------------------------

### EF3.1 Climate Change

CO2e kg	4.029 kg CO2e
---------	---------------

Phoenix Contact 2026 © - all rights reserved  
<https://www.phoenixcontact.com>

Phoenix Contact USA  
586 Fulling Mill Road  
Middletown, PA 17057, United States  
(+717) 944-1300  
[info@phoenixcon.com](mailto:info@phoenixcon.com)