

MINI MCR-2-SPS-24-15 - Constant voltage source



1033202

<https://www.phoenixcontact.com/us/products/1033202>

Please be informed that the data shown in this PDF document is generated from our online catalog. Please find the complete data in the user documentation. Our general terms of use for downloads are valid.



Constant voltage source with pluggable connection technology for the generation of a highly precise constant voltage of 15 V and for the supply of sensors without internal power supply. Screw connection technology.

Commercial data

| | |
|--------------------------------------|---------------|
| Item number | 1033202 |
| Packing unit | 1 pc |
| Minimum order quantity | 1 pc |
| Sales key | C404 |
| Product key | DK112Z |
| GTIN | 4055626537962 |
| Weight per piece (including packing) | 115.4 g |
| Weight per piece (excluding packing) | 106.72 g |
| Customs tariff number | 85437090 |
| Country of origin | DE |

MINI MCR-2-SPS-24-15 - Constant voltage source



1033202

<https://www.phoenixcontact.com/us/products/1033202>

Technical data

Notes

Utilization restriction

| | |
|----------|---|
| EMC note | EMC: class A product, see manufacturer's declaration in the download area |
|----------|---|

Product properties

| | |
|----------------|-------------------------|
| Product type | Constant voltage source |
| Product family | MINI Analog Pro |

Electrical properties

| | |
|---|--------------------------|
| Electrical isolation | 2-way isolation |
| Electrical isolation between input and output | yes |
| Maximum temperature coefficient | < 0.01 %/K |
| Maximum transmission error | ≤ 0.1 % (of final value) |

Electrical isolation

| | |
|----------------------|----|
| Overvoltage category | II |
| Pollution degree | 2 |

Electrical isolation Input/output/power supply IEC/EN 61010-1

| | |
|--------------------------|-----------------------|
| Standards/regulations | IEC/EN 61010-1 |
| Rated insulation voltage | 300 V _{rms} |
| Test voltage | 3 kV AC (50 Hz, 60 s) |
| Insulation | Reinforced insulation |

Supply

| | |
|-----------------------------|--|
| Supply voltage range | 9.6 V DC ... 30 V DC (The DIN rail connector (ME 6,2 TBUS-2 1,5/5-ST-3,81 GN, item no. 2869728) can be used to bridge the supply voltage. It can be snapped onto a 35 mm DIN rail in accordance with EN 60715) |
| Typical current consumption | < 38.2 mA (24 V) |
| | < 79.8 mA (12 V) |
| Power consumption | < 900 mW (9.6 V DC) |

Input data

Signal: Voltage

| | |
|----------------------------|----------------------|
| Voltage input signal | 9.6 V DC ... 30 V DC |
| Transmitter supply voltage | 15 V DC |

Output data

Signal: Voltage

| | |
|----------------------------|---------|
| Max. voltage output signal | 15 V DC |
| Short-circuit current | > 35 mA |

MINI MCR-2-SPS-24-15 - Constant voltage source



1033202

<https://www.phoenixcontact.com/us/products/1033202>

| | |
|--------------------------------|-------------------------------|
| Output voltage with wire break | 15 V DC |
| Output current | ≤ 30 mA |
| Ripple | < 20 mV _{PP} (600 Ω) |

Connection data

| | |
|----------------------------------|--|
| Connection method | Screw connection |
| Stripping length | 10 mm |
| Screw thread | M3 |
| Conductor cross-section rigid | 0.2 mm ² ... 1.5 mm ² (with ferrule) 0.14 mm ² ... 2.5 mm ² (without ferrule) |
| Conductor cross-section flexible | 0.14 mm ² ... 2.5 mm ² |
| Conductor cross-section AWG | 24 ... 12 (flexible) |
| Tightening torque | 0.5 Nm ... 0.6 Nm |

Ex data

| | |
|-----------------------|--------------|
| Ex installation (EPL) | Gc Div. 2 |
|-----------------------|--------------|

Signaling

| | |
|----------------|----------------------------|
| Status display | Green LED (supply voltage) |
|----------------|----------------------------|

Dimensions

| | |
|--------|-----------|
| Width | 6.2 mm |
| Height | 109.81 mm |
| Depth | 119.2 mm |

Material specifications

| | |
|--|-----------------|
| Color | gray (RAL 7042) |
| Housing material | PBT |
| Fire protection for rail vehicles (DIN EN 45545-2) R22 | HL 1 - HL 2 |
| Fire protection for rail vehicles (DIN EN 45545-2) R23 | HL 1 - HL 2 |
| Fire protection for rail vehicles (DIN EN 45545-2) R24 | HL 1 - HL 2 |

Environmental and real-life conditions

Ambient conditions

| | |
|---|-------------------------------|
| Degree of protection | IP20 (not assessed by UL) |
| Ambient temperature (operation) | -40 °C ... 70 °C |
| Ambient temperature (storage/transport) | -40 °C ... 85 °C |
| Altitude | ≤ 2000 m |
| Permissible humidity (operation) | 5 % ... 95 % (non-condensing) |

Approvals

CE

| | |
|-------------|--------------|
| Certificate | CE-compliant |
|-------------|--------------|

MINI MCR-2-SPS-24-15 - Constant voltage source



1033202

<https://www.phoenixcontact.com/us/products/1033202>

ATEX

| | |
|----------------|--------------------------|
| Identification | ⊕ II 3 G Ex ec IIC T4 Gc |
| Certificate | BVS 20 ATEX E 014X |

IECEX

| | |
|----------------|--------------------|
| Identification | Ex ec IIC T4 Gc |
| Certificate | IECEX BVS 20.0010X |

CCC / China-Ex

| | |
|----------------|------------------|
| Identification | Ex ec IIC T4 Gc |
| Certificate | 2026122303128771 |

UL, USA/Canada

| | |
|----------------|---------------------------------------|
| Identification | UL 508 Listed |
| | Class I, Div. 2, Groups A, B, C, D T6 |
| | Class I, Zone 2, Group IIC T6 |

Shipbuilding approval

| | |
|-------------|--------------------------|
| Certificate | DNV GL TAA000021E Rev. 1 |
|-------------|--------------------------|

Shipbuilding data

| | |
|-------------|---|
| Temperature | B |
| Humidity | B |
| Vibration | A |
| EMC | A |
| Enclosure | Required protection according to the Rules shall be provided upon installation on board |

EMC data

| | |
|-------------------------------|--|
| Electromagnetic compatibility | Conformance with EMC directive |
| Noise immunity | EN 61000-6-2 |
| Note | When being exposed to interference, there may be minimal deviations. |

Noise emission

| | |
|-----------------------|--------------|
| Standards/regulations | EN 61000-6-4 |
|-----------------------|--------------|

Standards and regulations

| | |
|----------------------|-----------------|
| Electrical isolation | 2-way isolation |
|----------------------|-----------------|

GB Standard

| | |
|-----------------------|-------------|
| Standards/regulations | GB/T 3836.1 |
| | GB/T 3836.3 |

Mounting

| | |
|---------------|---|
| Mounting type | DIN rail mounting |
| Assembly note | The DIN rail connector can be used for bridging the supply voltage. It can be snapped onto a 35 mm EN 60715 DIN rail. |

MINI MCR-2-SPS-24-15 - Constant voltage source



1033202

<https://www.phoenixcontact.com/us/products/1033202>

| | |
|-------------------|-----|
| Mounting position | any |
|-------------------|-----|

MINI MCR-2-SPS-24-15 - Constant voltage source

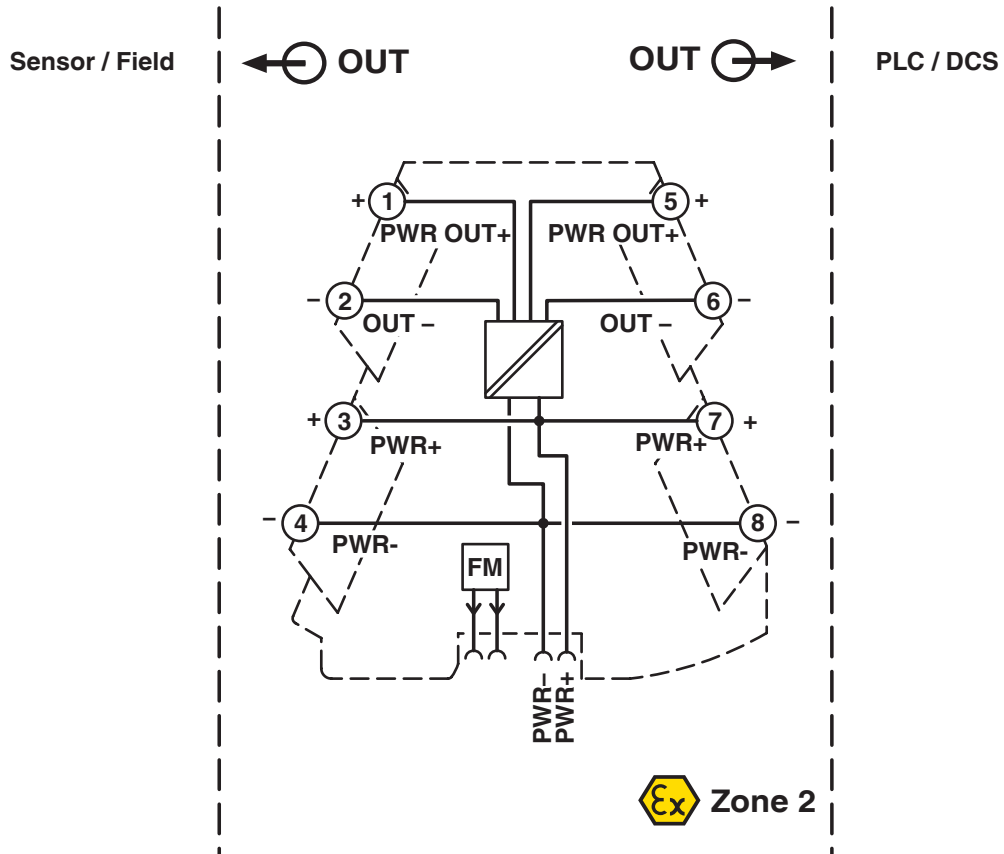


1033202

<https://www.phoenixcontact.com/us/products/1033202>

Drawings

Block diagram



MINI MCR-2-SPS-24-15 - Constant voltage source




1033202

<https://www.phoenixcontact.com/us/products/1033202>

Approvals

To download certificates, visit the product detail page: <https://www.phoenixcontact.com/us/products/1033202>

 **UL Listed**
Approval ID: E238705


 **cUL Listed**
Approval ID: E238705


DNV
Approval ID: TAA000021E

 **IECEx**
Approval ID: IECEx BVS 20.0010X

 **cUL Listed**
Approval ID: E196811

 **UL Listed**
Approval ID: E196811

 **ATEX**
Approval ID: BVS 20 ATEX E 014X

 **CCC**
Approval ID: 2022122303115966

MINI MCR-2-SPS-24-15 - Constant voltage source



1033202

<https://www.phoenixcontact.com/us/products/1033202>

Classifications

ECLASS

| | |
|-------------|----------|
| ECLASS-13.0 | 27210192 |
| ECLASS-15.0 | 27210192 |

ETIM

| | |
|-----------|----------|
| ETIM 10.0 | EC002498 |
|-----------|----------|

UNSPSC

| | |
|-------------|----------|
| UNSPSC 21.0 | 39121000 |
|-------------|----------|

MINI MCR-2-SPS-24-15 - Constant voltage source



1033202

<https://www.phoenixcontact.com/us/products/1033202>

Environmental product compliance

EU RoHS

| | |
|---|--------------|
| Fulfills EU RoHS substance requirements | Yes |
| Exemption | 7(a), 7(c)-I |

China RoHS

| | |
|--|---|
| Environment friendly use period (EFUP) | EFUP-50 |
| | An article-related China RoHS declaration table can be found in the download area for the respective article under "Manufacturer declaration". For all articles with EFUP-E, no China RoHS declaration table issued and required. |

EU REACH SVHC

| | |
|-------------------------------------|--|
| REACH candidate substance (CAS No.) | Lead(CAS: 7439-92-1) |
| | 2,2',6,6'-tetrabromo-4,4'-isopropylidenediphenol(CAS: 79-94-7) |
| SCIP | 31c27dc5-0c92-4bc8-8361-89e1dc0315c0 |

Phoenix Contact 2026 © - all rights reserved
<https://www.phoenixcontact.com>

Phoenix Contact USA
586 Fulling Mill Road
Middletown, PA 17057, United States
(+717) 944-1300
info@phoenixcon.com