

SK 14-D VPE 100/10 - Shield connection terminal block



1030552

<https://www.phoenixcontact.com/us/products/1030552>

Please be informed that the data shown in this PDF document is generated from our online catalog. Please find the complete data in the user documentation. Our general terms of use for downloads are valid.



Shield connection terminal block, for direct shield on conductive mounting panels, sheet thickness 1 mm ... 2 mm

Your advantages

- Easy handling
- Spring-loaded, large-surface pressure plate
- Suitable for direct and busbar mounting
- Knurled screw

Commercial data

Item number	1030552
Packing unit	100 pc
Minimum order quantity	100 pc
Product key	BE7511
GTIN	4055626532868
Weight per piece (including packing)	20.476 g
Weight per piece (excluding packing)	20.476 g
Country of origin	DE

SK 14-D VPE 100/10 - Shield connection terminal block



1030552

<https://www.phoenixcontact.com/us/products/1030552>

Technical data

Notes

General

Note	The shield connection clamps must not be used for strain relief of cables/conductors.
	Do not use for protective conductor connection.

Product properties

Product type	Shield connection clamp
Pitch	17 mm
Number of connections	1
Number of rows	1

Electrical properties

Maximum power dissipation for nominal condition	0 W
-------------------------------------------------	-----

Connection data

Grounding foot	Yes
Connection method	Screw connection
Screw thread	M4
Tightening torque	... 0.8 Nm

Dimensions

Dimensional drawing	
Width	17 mm
Height	19.5 mm
Depth	57.8 mm
Pitch	17 mm

External dimensions

Outside diameter	3 mm ... 14 mm
------------------	----------------

Material specifications

Color	silver-colored
-------	----------------

Cable/line

External cable diameter	3 mm ... 14 mm
-------------------------	----------------

Mounting

SK 14-D VPE 100/10 - Shield connection terminal block



1030552

<https://www.phoenixcontact.com/us/products/1030552>

Mounting type	direct screw connection
---------------	-------------------------

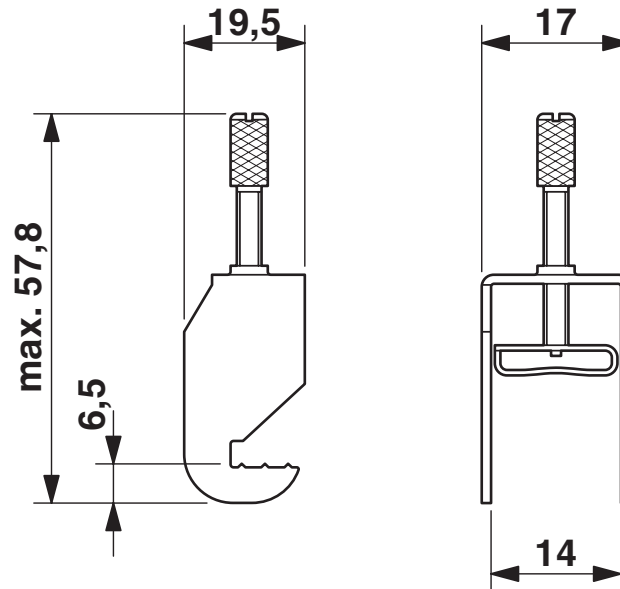
SK 14-D VPE 100/10 - Shield connection terminal block

1030552

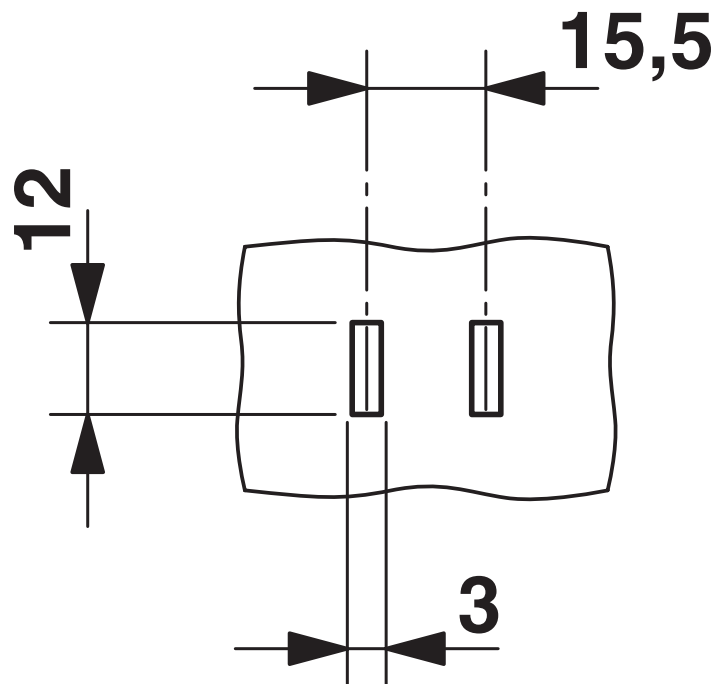
<https://www.phoenixcontact.com/us/products/1030552>

Drawings

Dimensional drawing



Dimensional drawing



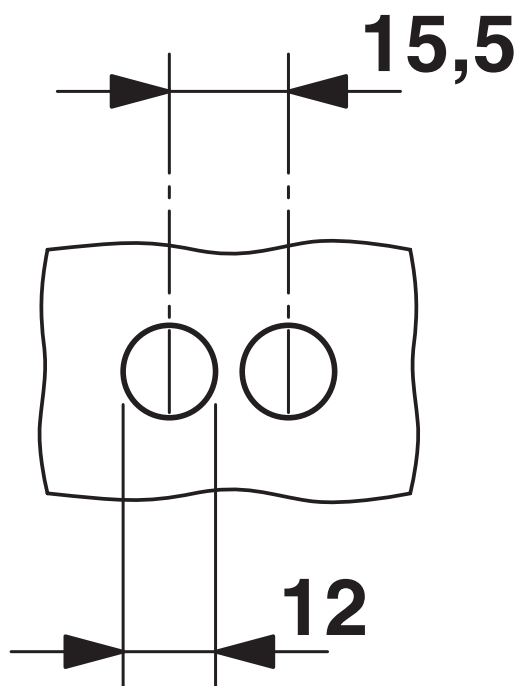
Punching template

SK 14-D VPE 100/10 - Shield connection terminal block

1030552

<https://www.phoenixcontact.com/us/products/1030552>

Dimensional drawing



Drilling diagram

SK 14-D VPE 100/10 - Shield connection terminal block



1030552

<https://www.phoenixcontact.com/us/products/1030552>

Classifications

ECLASS

ECLASS-13.0	27250309
ECLASS-15.0	27250309

ETIM

ETIM 10.0	EC002020
-----------	----------

UNSPSC

UNSPSC 21.0	39121400
-------------	----------

SK 14-D VPE 100/10 - Shield connection terminal block



1030552

<https://www.phoenixcontact.com/us/products/1030552>

Environmental product compliance

EU RoHS

Fulfills EU RoHS substance requirements	Yes, No exemptions
-----------------------------------------	--------------------

China RoHS

Environment friendly use period (EFUP)	EFUP-E
	No hazardous substances above the limits

EU REACH SVHC

REACH candidate substance (CAS No.)	No substance above 0.1 wt%
-------------------------------------	----------------------------

EF3.1 Climate Change

CO2e kg	0.074 kg CO2e
---------	---------------

Phoenix Contact 2026 © - all rights reserved
<https://www.phoenixcontact.com>

Phoenix Contact USA
586 Fulling Mill Road
Middletown, PA 17057, United States
(+717) 944-1300
info@phoenixcon.com