

# CC1,5-TS-2,10FPE K/L AU - Crimp contact



1029401

<https://www.phoenixcontact.com/us/products/1029401>

Please be informed that the data shown in this PDF document is generated from our online catalog. Please find the complete data in the user documentation. Our general terms of use for downloads are valid.



Crimp contact, Socket, turned, contact diameter: 1.5 mm, connection cross section: 1.5 mm<sup>2</sup> ... 1.5 mm<sup>2</sup>, AWG 14...14 , contact material: CuZn

## Commercial data

Item number	1029401
Packing unit	25 pc
Minimum order quantity	25 pc
Sales key	BF34
Product key	AF2CJB
GTIN	4055626531434
Weight per piece (including packing)	0.58 g
Weight per piece (excluding packing)	0.58 g
Customs tariff number	85366990
Country of origin	DE

# CC1,5-TS-2,10FPE K/L AU - Crimp contact



1029401

<https://www.phoenixcontact.com/us/products/1029401>

## Technical data

### Mounting

Mounting type	Snap in
---------------	---------

### Product properties

Product type	Crimp contact
Contact material type	turned

### Connection data

#### Connection technology

Contact connection type	Socket
Connection method	Crimp connection

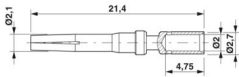
#### Conductor connection

Connection cross section (flexible)	1.5 mm <sup>2</sup> ... 1.5 mm <sup>2</sup>
Connection cross section AWG (flexible)	14 ... 14

### Material specifications

Material Contact	CuZn
Material Contact surface	Ni/Au

### Dimensions

Dimensional drawing	
Diameter (Contact diameter)	1.5 mm

### Mechanical properties

#### Mechanical data

Insertion/withdrawal cycles	≥ 100
-----------------------------	-------

### Environmental and real-life conditions

#### Ambient conditions

Ambient temperature (operation)	-40 °C ... 85 °C
---------------------------------	------------------

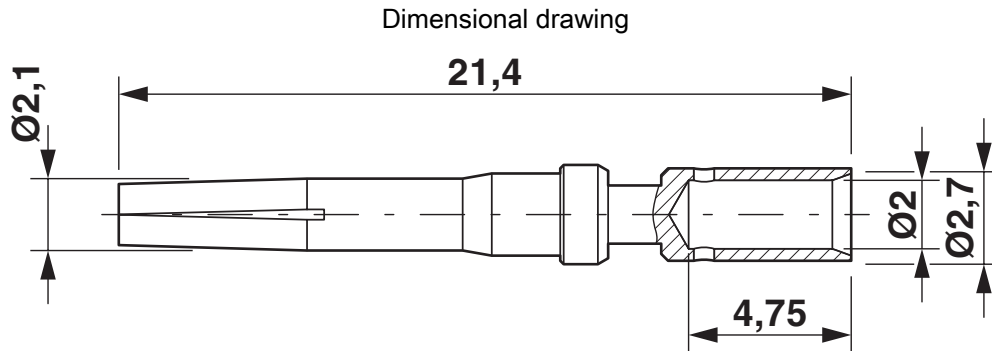
# CC1,5-TS-2,10FPE K/L AU - Crimp contact



1029401

<https://www.phoenixcontact.com/us/products/1029401>

## Drawings



Crimp contact, diameter: 1.5 mm

# CC1,5-TS-2,10FPE K/L AU - Crimp contact



1029401

<https://www.phoenixcontact.com/us/products/1029401>

## Classifications

### ECLASS

ECLASS-13.0	27440204
ECLASS-15.0	27440204

### ETIM

ETIM 10.0	EC000796
-----------	----------

### UNSPSC

UNSPSC 21.0	39121500
-------------	----------

# CC1,5-TS-2,10FPE K/L AU - Crimp contact



1029401

<https://www.phoenixcontact.com/us/products/1029401>

## Environmental product compliance

### EU RoHS

Fulfills EU RoHS substance requirements	Yes, No exemptions
---	--------------------

### China RoHS

Environment friendly use period (EFUP)	EFUP-E
	No hazardous substances above the limits

### EU REACH SVHC

REACH candidate substance (CAS No.)	No substance above 0.1 wt%
-------------------------------------	----------------------------

### EF3.1 Climate Change

CO2e kg	0.409 kg CO2e
---------	---------------

Phoenix Contact 2026 © - all rights reserved  
<https://www.phoenixcontact.com>

Phoenix Contact USA  
586 Fulling Mill Road  
Middletown, PA 17057, United States  
(+717) 944-1300  
[info@phoenixcon.com](mailto:info@phoenixcon.com)