

BTFE 6-3/14 - Plug-in test socket



1029252

<https://www.phoenixcontact.com/us/products/1029252>

Please be informed that the data shown in this PDF document is generated from our online catalog. Please find the complete data in the user documentation. Our general terms of use for downloads are valid.



Plug-in test socket, nom. voltage: 400 V, nominal current: 24 A, number of positions: 14, connection method: Ring cable lug, Rated cross section: 6 mm², 1 level, mounting type: Panel mounting, color: gray

Commercial data

Item number	1029252
Packing unit	1 pc
Minimum order quantity	1 pc
Sales key	BE06
Product key	BE6114
GTIN	4055626531083
Weight per piece (including packing)	690.8 g
Weight per piece (excluding packing)	690.8 g
Customs tariff number	85369010
Country of origin	PL

BTFE 6-3/14 - Plug-in test socket



1029252

<https://www.phoenixcontact.com/us/products/1029252>

Technical data

Product properties

Product type	Test terminal strip
Product family	FAME 3 RACK
Number of positions	14

Insulation characteristics

Overvoltage category	III
----------------------	-----

Electrical properties

Rated surge voltage	4 kV
Maximum power dissipation for nominal condition	1.02 W
Test surge voltage	5 kV

Connection data

Nominal cross section	4 mm ²
-----------------------	-------------------

1 level

Connection method	Ring cable lug
Tightening torque	1 ... 1.3 Nm
Internal cylindrical gage	A5
Connection in acc. with standard	IEC 60947-7-1
Conductor cross-section flexible	0.5 mm ² ... 6 mm ²
Conductor cross-section, flexible [AWG]	20 ... 10 (converted acc. to IEC)
Nominal cross section	6 mm ²
Nominal current	24 A
Maximum load current	24 A
Nominal voltage	400 V

Cable lug connection DIN 46237:1970-07

Connection in acc. with standard	DIN 46237:1970-07
Cross section	0.5 mm ² ... 2.5 mm ²
Cross section range AWG	(converted acc. to IEC)
Hole diameter	3.7 mm
Width	6.8 mm
Bolt diameter	3.5 mm
Identification color of ring cable lugs : red	1 mm ²
Identification color of ring cable lugs : blue	2.5 mm ²
Cross section	4 mm ² ... 6 mm ²
Additional text	Type RS PRO Order No. 267-3919, vertical crimping
Cross section range AWG	(converted acc. to IEC)
Hole diameter	3.7 mm
Width	7.2 mm
Bolt diameter	3.5 mm

BTFE 6-3/14 - Plug-in test socket



1029252

<https://www.phoenixcontact.com/us/products/1029252>

Material specifications

Color	gray (RAL 7042)
Flammability rating according to UL 94	V0
Insulating material group	I
Insulating material	PC
Relative insulation material temperature index (Elec., UL 746 B)	130 °C

Electrical tests

Surge voltage test

Result	Test passed
Result	Test passed

Power-frequency withstand voltage

Test voltage setpoint	2 kV
Result	Test passed

Mechanical properties

Mechanical data

Open side panel	No
-----------------	----

Mechanical tests

Mechanical strength

Result	Test passed
--------	-------------

Attachment on the carrier

Result	Test passed
--------	-------------

Test for conductor damage and slackening

Conductor cross-section/weight	2.5 mm ² / 0.7 kg
	2.0 mm ² / 0.7 kg
Result	Test passed

Environmental and real-life conditions

Aging

Temperature cycles	192
Result	Test passed

Needle-flame test

Result	Test passed
--------	-------------

Ambient conditions

Ambient temperature (storage/transport)	-25 °C ... 55 °C (for a short time, not exceeding 24 h, -60 °C to +70 °C)
Ambient temperature (assembly)	-5 °C ... 70 °C

BTFE 6-3/14 - Plug-in test socket



1029252

<https://www.phoenixcontact.com/us/products/1029252>

Ambient temperature (actuation)	-5 °C ... 70 °C
Permissible humidity (storage/transport)	30 % ... 70 %

Standards and regulations

Connection in acc. with standard	IEC 60947-7-1
----------------------------------	---------------

Mounting

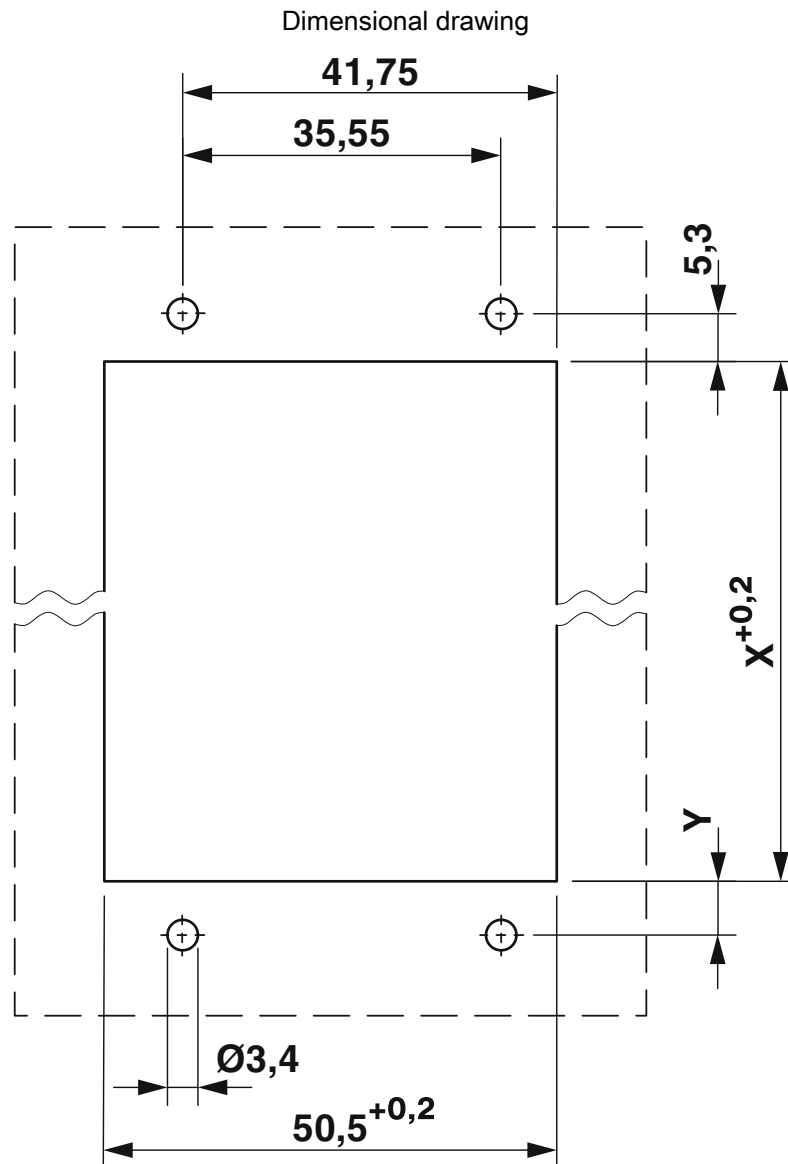
Mounting type	Panel mounting
---------------	----------------

BTFE 6-3/14 - Plug-in test socket

1029252

<https://www.phoenixcontact.com/us/products/1029252>

Drawings



X = 123.9 mm

Y = 6.0 mm

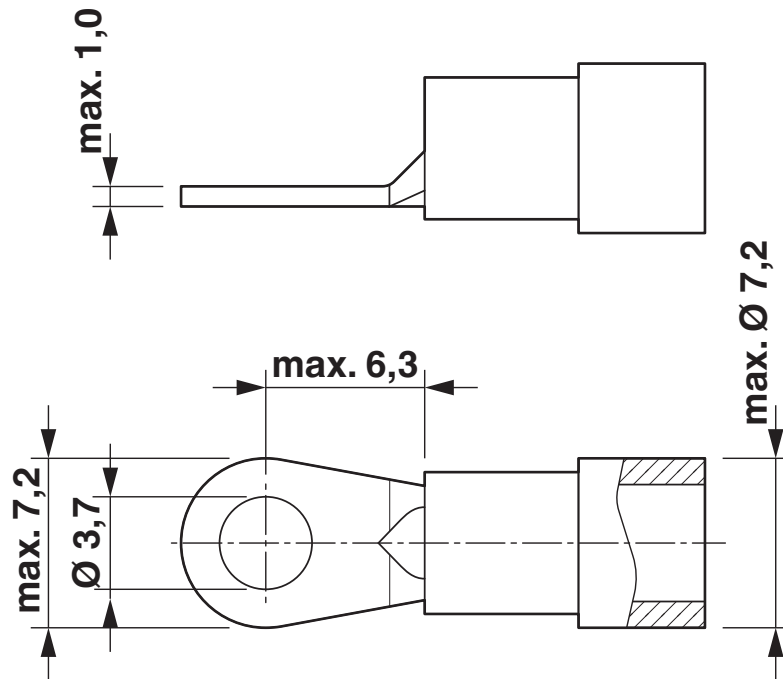
BTFE 6-3/14 - Plug-in test socket

1029252

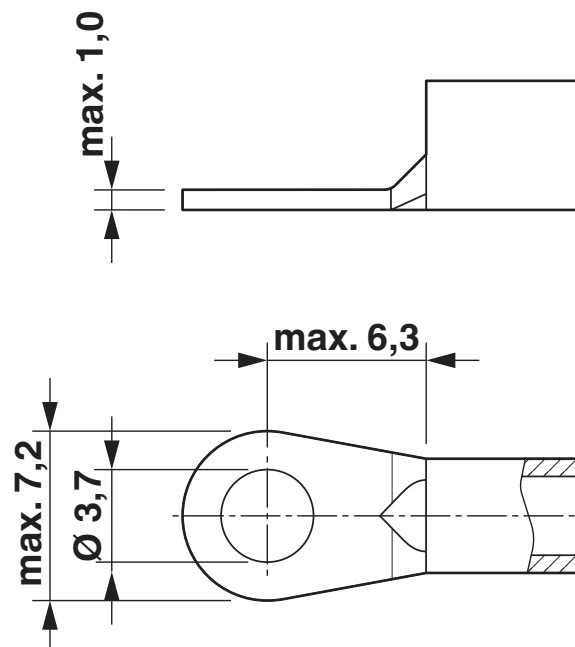
<https://www.phoenixcontact.com/us/products/1029252>



Dimensional drawing



Dimensional drawing



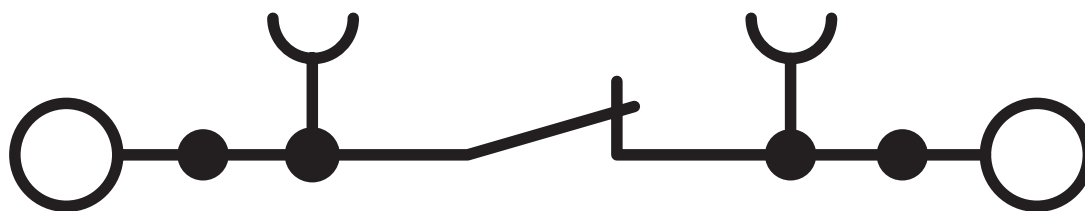
BTFE 6-3/14 - Plug-in test socket



1029252

<https://www.phoenixcontact.com/us/products/1029252>

Circuit diagram



BTFE 6-3/14 - Plug-in test socket

1029252

<https://www.phoenixcontact.com/us/products/1029252>



Circuit diagram



BTFE 6-3/14 - Plug-in test socket





1029252


<https://www.phoenixcontact.com/us/products/1029252>

Approvals

To download certificates, visit the product detail page: <https://www.phoenixcontact.com/us/products/1029252>

 CSA Approval ID: 13631				
	Nominal voltage U_N	Nominal current I_N	Cross section AWG	Cross section mm^2
B	300 V	30 A	20 - 10	-
C	300 V	30 A	20 - 10	-

 cUL Recognized Approval ID: FILE E 60425				
	Nominal voltage U_N	Nominal current I_N	Cross section AWG	Cross section mm^2
B	300 V	30 A	20 - 10	-
C	300 V	30 A	20 - 10	-
F	400 V	30 A	20 - 10	-
D	600 V	5 A	20 - 10	-

 UL Recognized Approval ID: FILE E 60425				
	Nominal voltage U_N	Nominal current I_N	Cross section AWG	Cross section mm^2
B	300 V	30 A	20 - 10	-
C	300 V	30 A	20 - 10	-
F	400 V	30 A	20 - 10	-
D	600 V	5 A	20 - 10	-

BTFE 6-3/14 - Plug-in test socket



1029252

<https://www.phoenixcontact.com/us/products/1029252>

Classifications

ECLASS

ECLASS-13.0	27250190
ECLASS-15.0	27250190

ETIM

ETIM 10.0	EC002848
-----------	----------

UNSPSC

UNSPSC 21.0	39121400
-------------	----------

BTFE 6-3/14 - Plug-in test socket



1029252

<https://www.phoenixcontact.com/us/products/1029252>

Environmental product compliance

EU RoHS

Fulfills EU RoHS substance requirements	Yes
Exemption	6(c)

China RoHS

Environment friendly use period (EFUP)	EFUP-50
	An article-related China RoHS declaration table can be found in the download area for the respective article under "Manufacturer declaration". For all articles with EFUP-E, no China RoHS declaration table issued and required.

EU REACH SVHC

REACH candidate substance (CAS No.)	Lead(CAS: 7439-92-1)
SCIP	89bfe339-fd6c-4629-ad5b-fa94c633b4d7

Phoenix Contact 2026 © - all rights reserved

<https://www.phoenixcontact.com>

Phoenix Contact USA
586 Fulling Mill Road
Middletown, PA 17057, United States
(+717) 944-1300
info@phoenixcon.com