

SACC-M12FSL-4FECT-CL SH - Power connector



1027478

<https://www.phoenixcontact.com/us/products/1027478>

Please be informed that the data shown in this PDF document is generated from our online catalog. Please find the complete data in the user documentation. Our general terms of use for downloads are valid.



Power connector, Power, 5-position, shielded, Socket straight M12, coding: L, Crimp connection, knurl material: Zinc die-cast, tin-plated, external cable diameter 8 mm ... 13 mm, without crimp contacts, Contact 5 leading

Your advantages

- Extremely compact, thanks to the small wiring space and high contact density
- Safely shielded: reliable shield connection even under extreme mechanical strain
- Robust connection: suitable for railway applications with high shock and vibration loads
- High-performance: DC connectors for up to 16 A and 63 V DC
- Protected seal in the M12 socket
- Protection against mismatching, thanks to special L-coding

Commercial data

Item number	1027478
Packing unit	1 pc
Minimum order quantity	1 pc
Sales key	BF34
Product key	AF2CJB
GTIN	4055626520292
Weight per piece (including packing)	47.1 g
Weight per piece (excluding packing)	46.7 g
Customs tariff number	85366990
Country of origin	DE

SACC-M12FSL-4FECT-CL SH - Power connector



1027478

<https://www.phoenixcontact.com/us/products/1027478>

Technical data

Notes

Assembly note	NOTE: Observe the permissible bending radii when routing cables, since the degree of protection may be at risk if the bending forces are too high. Reduce mechanical loads upstream of the connector, e.g., by using cable ties.
---------------	---

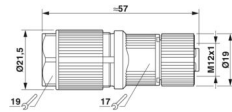
Product properties

Product type	Circular connector (cable-side)
Application	Energy supply
Sensor type	Power
Number of positions	5
No. of cable outlets	1
Shielded	yes
Coding	L
Cable outlet	straight

Insulation characteristics

Overvoltage category	III
Degree of pollution	3

Dimensions

Dimensional drawing	
Length	57 mm

External dimensions

Outside diameter	8 mm ... 13 mm
------------------	----------------

Housing

Diameter housing	21.5 mm
------------------	---------

Material specifications

Flammability rating according to UL 94	V0
Material of grip body	Zinc die-cast, nickel-plated
Contact carrier material	PA
Material for screw connection	Zinc die-cast, tin-plated

Connection data

Conductor connection

Connection method	Crimp connection
-------------------	------------------

SACC-M12FSL-4FECT-CL SH - Power connector



1027478

<https://www.phoenixcontact.com/us/products/1027478>

Connection cross section	1.5 mm ² ... 2.5 mm ² (flexible)
Connection cross section AWG	14 (flexible)
Tightening torque	M12 knurl
	Pressure nut with coupling sleeve

Connection assignment

Contact Color (signal designation) Contact (optional)	1 = BN
	2 = WH
	3 = BU
	4 = BK
	FE = GYPK

Electrical properties

Rated surge voltage	1.5 kV
Insulation resistance	≥ 100 MΩ
Nominal voltage U _N	63 V DC
Nominal current I _N	16 A (when using 2.5 mm ² conductors)
	16 A (at 40 °C)

Mechanical properties

Mechanical data

Insertion/withdrawal cycles	≥ 100
-----------------------------	-------

Connector

Connection 1

Head design	Socket
Head cable outlet	straight
Head thread type	M12
Coding	L

Cable/line

Signal type/category	Power
----------------------	-------

Environmental and real-life conditions

Ambient conditions

Degree of protection	IP65
Ambient temperature (operation) (male connector/female connector)	-40 °C ... 85 °C (Plug / socket)

Standards and regulations

Standard designation	M12 connector
Standards/specifications	according to IEC 61076-2-111

SACC-M12FSL-4FECT-CL SH - Power connector

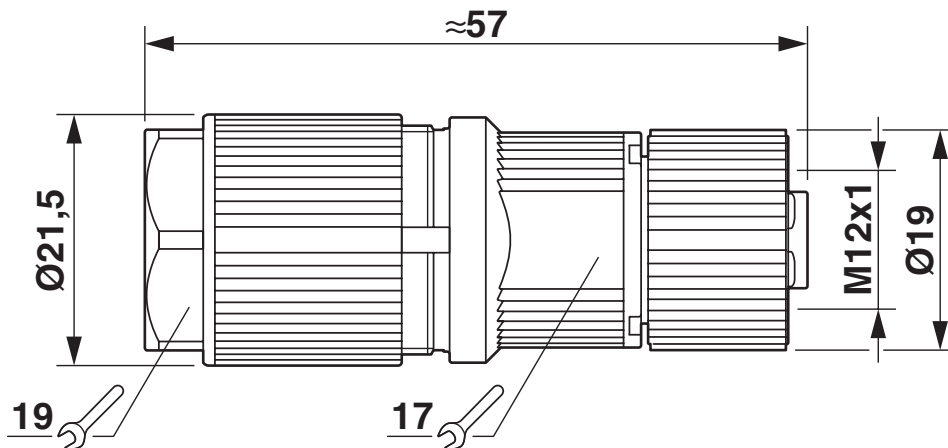


1027478

<https://www.phoenixcontact.com/us/products/1027478>

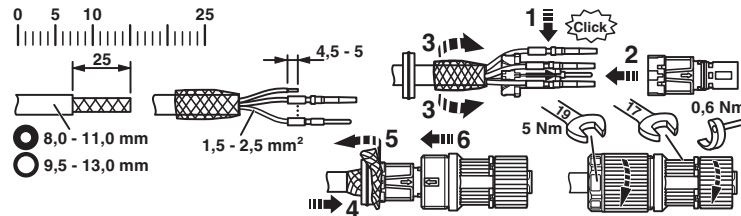
Drawings

Dimensional drawing



M12 x 1 socket, straight, shielded

Functional drawing

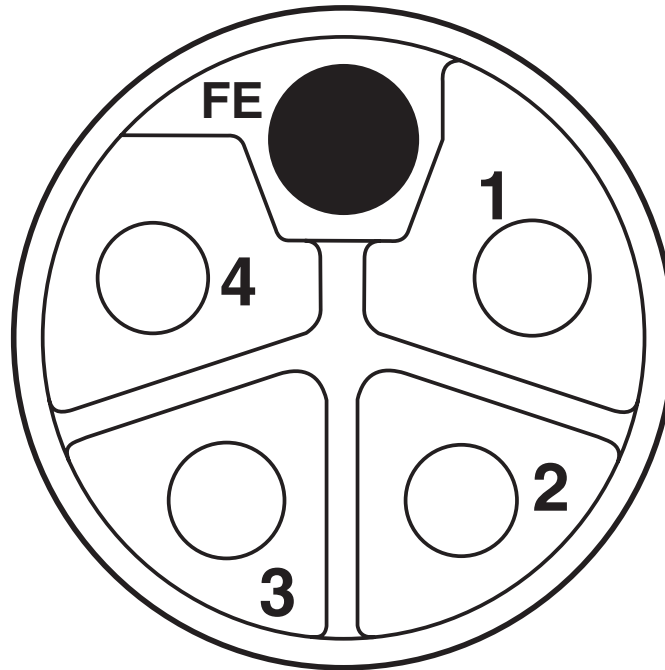


SACC-M12FSL-4FECT-CL SH - Power connector

1027478

<https://www.phoenixcontact.com/us/products/1027478>

Schematic diagram



Pin assignment of M12 socket, 5-pos., L-coded, socket side view

SACC-M12FSL-4FECT-CL SH - Power connector



1027478

<https://www.phoenixcontact.com/us/products/1027478>

Approvals

To download certificates, visit the product detail page: <https://www.phoenixcontact.com/us/products/1027478>

 cULus Recognized Approval ID: E468743				
	Nominal voltage U_N	Nominal current I_N	Cross section AWG	Cross section mm^2
keine				
	600 V	13 A	- 14	-

SACC-M12FSL-4FECT-CL SH - Power connector



1027478

<https://www.phoenixcontact.com/us/products/1027478>

Classifications

ECLASS

ECLASS-13.0	27440116
ECLASS-15.0	27440116

ETIM

ETIM 10.0	EC002635
-----------	----------

UNSPSC

UNSPSC 21.0	39121400
-------------	----------

SACC-M12FSL-4FECT-CL SH - Power connector



1027478

<https://www.phoenixcontact.com/us/products/1027478>

Environmental product compliance

EU RoHS

Fulfills EU RoHS substance requirements	Yes, No exemptions
---	--------------------

China RoHS

Environment friendly use period (EFUP)	EFUP-E
	No hazardous substances above the limits

EU REACH SVHC

REACH candidate substance (CAS No.)	No substance above 0.1 wt%
-------------------------------------	----------------------------

Phoenix Contact 2026 © - all rights reserved
<https://www.phoenixcontact.com>

Phoenix Contact USA
586 Fulling Mill Road
Middletown, PA 17057, United States
(+717) 944-1300
info@phoenixcon.com