

# SACC-M12MSS-3PECT-CM SH - Power connector



1027467

<https://www.phoenixcontact.com/us/products/1027467>

Please be informed that the data shown in this PDF document is generated from our online catalog. Please find the complete data in the user documentation. Our general terms of use for downloads are valid.



Power connector, Power, 4-position, shielded, Plug straight M12, coding: S, Crimp connection, knurl material: Zinc die-cast, tin-plated, external cable diameter 6.5 mm ... 11 mm, without crimp contacts, Contact 4 leading

## Your advantages

- Extremely compact, thanks to the small wiring space and high contact density
- Safely shielded: reliable shield connection even under extreme mechanical strain
- Robust connection: suitable for railway applications with high shock and vibration loads
- High-performance: AC connectors for up to 12 A and 690 V AC
- Protection against incorrect connection using special S-coding

## Commercial data

Item number	1027467
Packing unit	1 pc
Minimum order quantity	1 pc
Sales key	BF34
Product key	AF2CJB
GTIN	4055626521527
Weight per piece (including packing)	43.5 g
Weight per piece (excluding packing)	42 g
Customs tariff number	85366990
Country of origin	DE

# SACC-M12MSS-3PECT-CM SH - Power connector



1027467

<https://www.phoenixcontact.com/us/products/1027467>

## Technical data

### Notes

Assembly note	<b>NOTE:</b> Observe the permissible bending radii when routing cables, since the degree of protection may be at risk if the bending forces are too high. Reduce mechanical loads upstream of the connector, e.g., by using cable ties.
---------------	---

### Product properties

Product type	Circular connector (cable-side)
Application	Energy supply
Number of positions	4
No. of cable outlets	1
Shielded	yes
Coding	S
Cable outlet	straight

### Insulation characteristics

Overvoltage category	III
Degree of pollution	3

### Dimensions

Dimensional drawing	
Length	58 mm

### External dimensions

Outside diameter	6.5 mm ... 11 mm
------------------	------------------

### Housing

Diameter housing	21.5 mm
------------------	---------

### Material specifications

Flammability rating according to UL 94	V0
Material of grip body	Zinc die-cast, nickel-plated
Contact carrier material	PA
Material for screw connection	Zinc die-cast, tin-plated

### Connection data

#### Conductor connection

Connection method	Crimp connection
Connection cross section	1.5 mm <sup>2</sup> ... 2.5 mm <sup>2</sup> (flexible)

# SACC-M12MSS-3PECT-CM SH - Power connector



1027467

<https://www.phoenixcontact.com/us/products/1027467>

Connection cross section AWG	14 (flexible)
Tightening torque	5 Nm (Pressure nut with coupling sleeve)

## Connection assignment

Contact   Color (signal designation)   Contact (optional)	1 = BK1
	2 = BK2
	3 = BK3
	PE = GNYE

## Electrical properties

Rated surge voltage	6 kV
Insulation resistance	≥ 100 MΩ
Nominal voltage $U_N$	690 V AC
Nominal current $I_N$	12 A (when using 1.5 mm <sup>2</sup> conductors) 12 A (at 40 °C)

## Mechanical properties

### Mechanical data

Insertion/withdrawal cycles	≥ 100
-----------------------------	-------

## Connector

### Connection 1

Head design	Plug
Head cable outlet	straight
Head thread type	M12
Coding	S

## Cable/line

Signal type/category	Power
----------------------	-------

## Environmental and real-life conditions

### Ambient conditions

Degree of protection	IP65
Ambient temperature (operation) (male connector/female connector)	-40 °C ... 85 °C (Plug / socket)

## Standards and regulations

Standard designation	M12 connector
Standards/specifications	according to IEC 61076-2-111

# SACC-M12MSS-3PECT-CM SH - Power connector

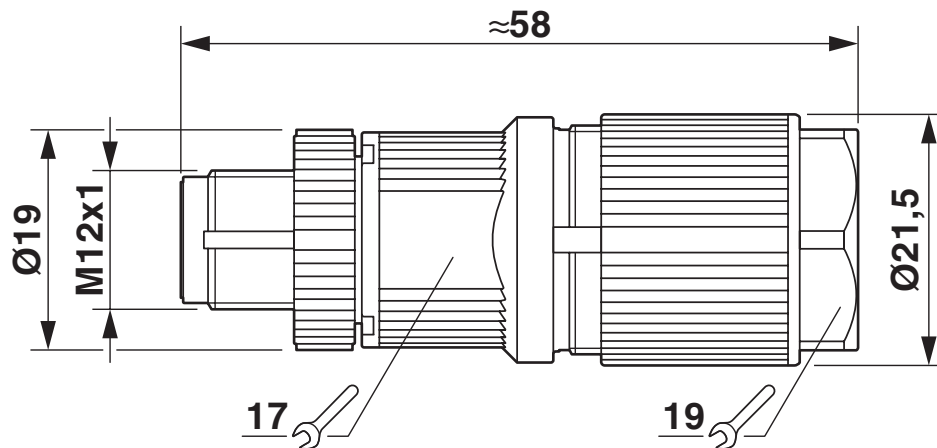


1027467

<https://www.phoenixcontact.com/us/products/1027467>

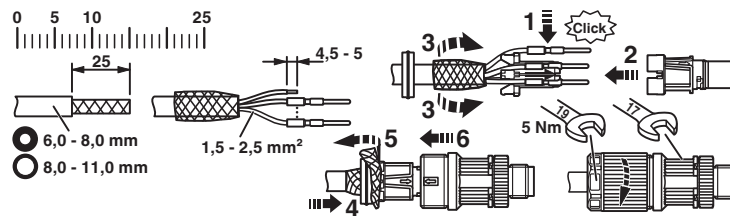
## Drawings

Dimensional drawing



Plug, M12 x 1, straight, shielded

Functional drawing



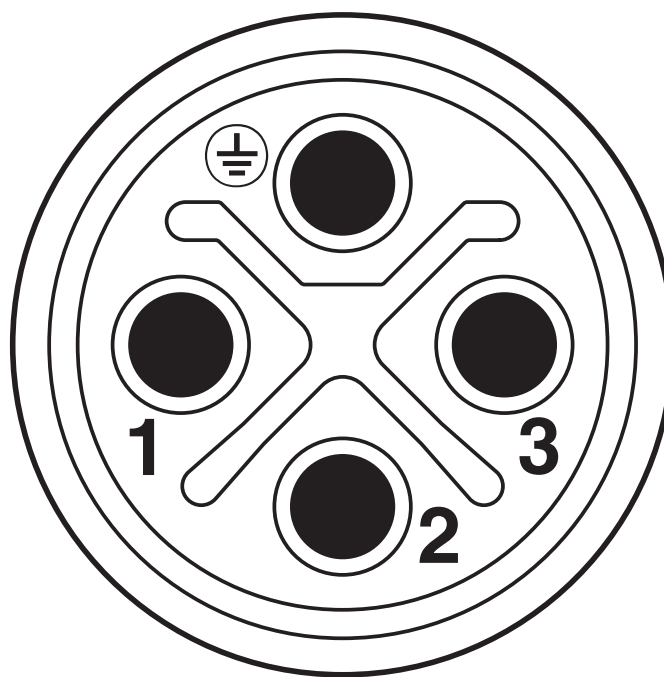
# SACC-M12MSS-3PECT-CM SH - Power connector

1027467

<https://www.phoenixcontact.com/us/products/1027467>



Schematic diagram



Pin assignment of M12 connector, 3-pos.+PE, S-coded, pin side view

# SACC-M12MSS-3PECT-CM SH - Power connector




1027467

<https://www.phoenixcontact.com/us/products/1027467>

## Approvals

To download certificates, visit the product detail page: <https://www.phoenixcontact.com/us/products/1027467>

 <b>cULus Recognized</b> Approval ID: E468743				
	Nominal voltage $U_N$	Nominal current $I_N$	Cross section AWG	Cross section $\text{mm}^2$
keine				
	600 V	12 A	- 14	-

# SACC-M12MSS-3PECT-CM SH - Power connector



1027467

<https://www.phoenixcontact.com/us/products/1027467>

## Classifications

### ECLASS

ECLASS-13.0	27440116
ECLASS-15.0	27440116

### ETIM

ETIM 10.0	EC002635
-----------	----------

### UNSPSC

UNSPSC 21.0	39121400
-------------	----------

# SACC-M12MSS-3PECT-CM SH - Power connector



1027467

<https://www.phoenixcontact.com/us/products/1027467>

## Environmental product compliance

### EU RoHS

Fulfills EU RoHS substance requirements	Yes, No exemptions
---	--------------------

### China RoHS

Environment friendly use period (EFUP)	EFUP-E
	No hazardous substances above the limits

### EU REACH SVHC

REACH candidate substance (CAS No.)	No substance above 0.1 wt%
-------------------------------------	----------------------------

Phoenix Contact 2026 © - all rights reserved  
<https://www.phoenixcontact.com>

Phoenix Contact USA  
586 Fulling Mill Road  
Middletown, PA 17057, United States  
(+717) 944-1300  
[info@phoenixcon.com](mailto:info@phoenixcon.com)