

# TMC 7 B1 TERM - Terminal adapter



1022233

<https://www.phoenixcontact.com/us/products/1022233>

Please be informed that the data shown in this PDF document is generated from our online catalog. Please find the complete data in the user documentation. Our general terms of use for downloads are valid.



Feeder terminal adapter for TMC 71 circuit breakers, single-phase bus bars. Rated for 1000 V AC/DC, 115 A. Wire range 10...1/0 AWG. UL 508 Listed for connection to UL 1077 rated circuit breakers.

## Product description

Feed-in terminal adapter for TMC 7 single-pos. bus bars

## Commercial data

Item number	1022233
Packing unit	1 pc
Minimum order quantity	1 pc
Sales key	CL09
Product key	CLA126
GTIN	4055626516004
Weight per piece (including packing)	26.34 g
Weight per piece (excluding packing)	26 g
Customs tariff number	85369010
Country of origin	DE

# TMC 7 B1 TERM - Terminal adapter

1022233

<https://www.phoenixcontact.com/us/products/1022233>

## Technical data

### Product properties

Product type	Circuit breakers
Type	Adapter

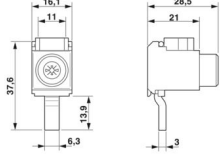
### Electrical properties

Number of phases	1
Rated voltage (III/3)	1000 V AC/DC

### Connection data

Tightening torque, min	5.65 Nm
------------------------	---------

### Dimensions

Dimensional drawing	
Width	16.1 mm
Height	28.5 mm

### Material specifications

Color	light gray (RAL 7035)
-------	-----------------------

# TMC 7 B1 TERM - Terminal adapter

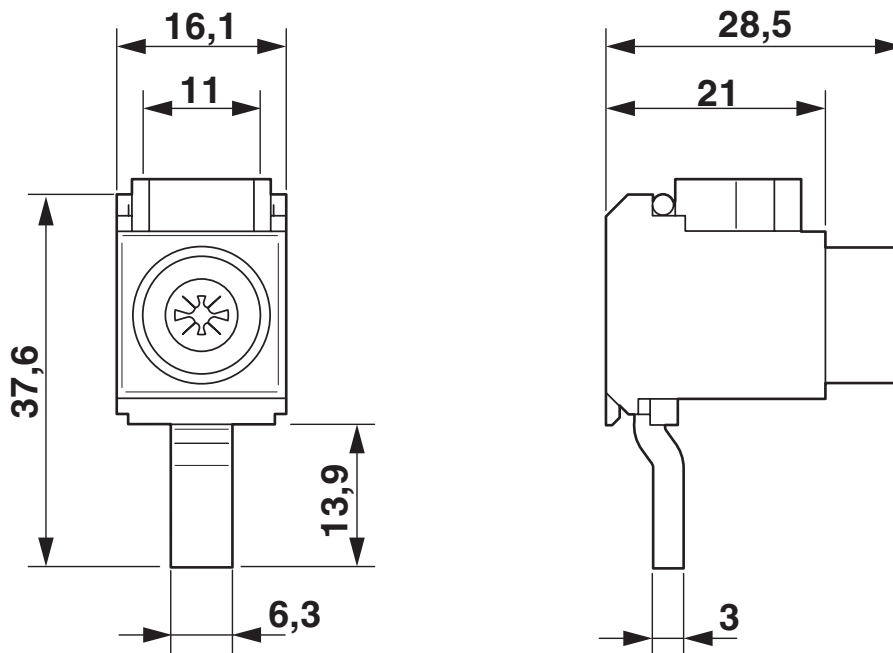
1022233

<https://www.phoenixcontact.com/us/products/1022233>



## Drawings

Dimensional drawing



# TMC 7 B1 TERM - Terminal adapter



1022233

<https://www.phoenixcontact.com/us/products/1022233>

## Approvals

To download certificates, visit the product detail page: <https://www.phoenixcontact.com/us/products/1022233>



**UL Listed**

Approval ID: E123528



**cUL Listed**

Approval ID: E123528

# TMC 7 B1 TERM - Terminal adapter



1022233

<https://www.phoenixcontact.com/us/products/1022233>

## Classifications

### ECLASS

ECLASS-13.0	27140492
ECLASS-15.0	27140492

### ETIM

ETIM 10.0	EC002936
-----------	----------

### UNSPSC

UNSPSC 21.0	39121400
-------------	----------

# TMC 7 B1 TERM - Terminal adapter



1022233

<https://www.phoenixcontact.com/us/products/1022233>

## Environmental product compliance

### EU RoHS

Fulfills EU RoHS substance requirements	Yes, No exemptions
---	--------------------

### China RoHS

Environment friendly use period (EFUP)	EFUP-E
	No hazardous substances above the limits

### EU REACH SVHC

REACH candidate substance (CAS No.)	No substance above 0.1 wt%
-------------------------------------	----------------------------

### EF3.1 Climate Change

CO2e kg	0.61 kg CO2e
---------	--------------

Phoenix Contact 2026 © - all rights reserved  
<https://www.phoenixcontact.com>

Phoenix Contact USA  
586 Fulling Mill Road  
Middletown, PA 17057, United States  
(+717) 944-1300  
[info@phoenixcon.com](mailto:info@phoenixcon.com)