

# TMC 7 B BUS CAP - Protective cover

1022224

<https://www.phoenixcontact.com/us/products/1022224>

Please be informed that the data shown in this PDF document is generated from our online catalog. Please find the complete data in the user documentation. Our general terms of use for downloads are valid.

Protective covers for TMC 7 single-pole bus bars. Cuttable, five positions, yellow.



## Commercial data

Item number	1022224
Packing unit	1 pc
Minimum order quantity	1 pc
Sales key	CL09
Product key	CLA126
GTIN	4055626515823
Weight per piece (including packing)	8.8 g
Weight per piece (excluding packing)	10 g
Customs tariff number	39269097
Country of origin	DE

# TMC 7 B BUS CAP - Protective cover



1022224

<https://www.phoenixcontact.com/us/products/1022224>

## Technical data

### Product properties

Product type	Circuit breakers
Type	Cover
Number of positions	5

### Material specifications

Color	light gray (RAL 7035)
	silver-colored

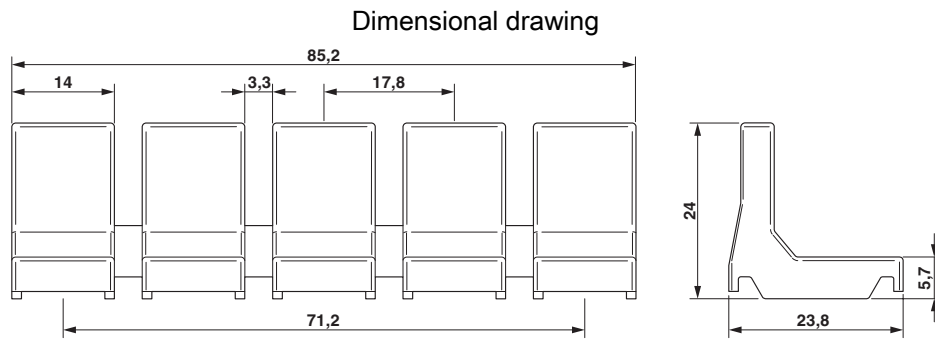
# TMC 7 B BUS CAP - Protective cover

1022224

<https://www.phoenixcontact.com/us/products/1022224>



## Drawings



# TMC 7 B BUS CAP - Protective cover



1022224

<https://www.phoenixcontact.com/us/products/1022224>

## Approvals

To download certificates, visit the product detail page: <https://www.phoenixcontact.com/us/products/1022224>



**UL Listed**

Approval ID: E123528



**cUL Listed**

Approval ID: E123528

# TMC 7 B BUS CAP - Protective cover



1022224

<https://www.phoenixcontact.com/us/products/1022224>

## Classifications

### ECLASS

ECLASS-13.0	27140492
ECLASS-15.0	27140492

### ETIM

ETIM 10.0	EC002936
-----------	----------

### UNSPSC

UNSPSC 21.0	39121400
-------------	----------

# TMC 7 B BUS CAP - Protective cover



1022224

<https://www.phoenixcontact.com/us/products/1022224>

## Environmental product compliance

### EU RoHS

Fulfills EU RoHS substance requirements	Yes, No exemptions
---	--------------------

### China RoHS

Environment friendly use period (EFUP)	EFUP-E
	No hazardous substances above the limits

### EU REACH SVHC

REACH candidate substance (CAS No.)	No substance above 0.1 wt%
-------------------------------------	----------------------------

### EF3.1 Climate Change

CO2e kg	0.16 kg CO2e
---------	--------------

Phoenix Contact 2026 © - all rights reserved  
<https://www.phoenixcontact.com>

Phoenix Contact USA  
586 Fulling Mill Road  
Middletown, PA 17057, United States  
(+717) 944-1300  
[info@phoenixcon.com](mailto:info@phoenixcon.com)