

SACC-P12FS-5CT-CM SH - Connector



1021817

<https://www.phoenixcontact.com/us/products/1021817>

Please be informed that the data shown in this PDF document is generated from our online catalog. Please find the complete data in the user documentation. Our general terms of use for downloads are valid.



Connector, Universal, 5-position, shielded, Socket straight M12 Push-Pull, coding: A, Crimp connection, knurl material: Zinc die-cast, nickel-plated, external cable diameter 4.5 mm ... 7.5 mm, without crimp contacts

Your advantages

- Plug and Produce: convenient and secure connection, thanks to the manufacturer-independent locking system
- Extremely compact, thanks to the small wiring space and high contact density
- Clear feedback: the connector springs back when not snapped into place correctly
- Safely shielded: reliable shield connection even under extreme mechanical strain
- Robust connection: suitable for railway applications with high shock and vibration loads

Commercial data

Item number	1021817
Packing unit	1 pc
Minimum order quantity	1 pc
Sales key	BF34
Product key	AF2CJA
GTIN	4055626514666
Weight per piece (including packing)	28.8 g
Weight per piece (excluding packing)	22.22 g
Customs tariff number	85366990
Country of origin	DE

SACC-P12FS-5CT-CM SH - Connector



1021817

<https://www.phoenixcontact.com/us/products/1021817>

Technical data

Notes

Assembly note	NOTE: Observe the permissible bending radii when routing cables, since the degree of protection may be at risk if the bending forces are too high. Reduce mechanical loads upstream of the connector, e.g., by using cable ties.
---------------	---

Mounting

Assembly note	Contacts can be clipped in place and unclipped without tools
---------------	--

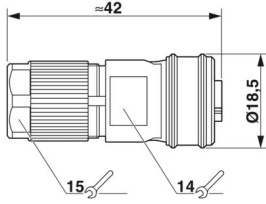
Product properties

Product type	Circular connector (cable-side)
Number of positions	5
No. of cable outlets	1
Shielded	yes
Coding	A
Cable outlet	straight

Insulation characteristics

Overvoltage category	III
Degree of pollution	3

Dimensions

Dimensional drawing	
Wrench size, union nut	15 mm
Wrench size, counter nut	14 mm

External dimensions

Outside diameter	4.5 mm ... 7.5 mm
------------------	-------------------

Housing

Diameter housing	22 mm
------------------	-------

Material specifications

Flammability rating according to UL 94	V0
Seal material	NBR
Material of grip body	Zinc die-cast, nickel-plated
Contact carrier material	PA 6.6
Material for screw connection	Zinc die-cast, nickel-plated

SACC-P12FS-5CT-CM SH - Connector



1021817

<https://www.phoenixcontact.com/us/products/1021817>

Standards/regulations	PA 6.6
-----------------------	--------

Connection data

Conductor connection

Connection method	Crimp connection
Connection cross section	0.14 mm ² ... 1 mm ² (flexible)
Connection cross section AWG	26 ... 18 (flexible)
Stripping length of the individual wire	4 mm +0,5 mm
Tightening torque	4 Nm (Pressure nut with coupling sleeve)

Electrical properties

Rated surge voltage	1.5 kV
Insulation resistance	≥ 100 MΩ
Nominal voltage U _N	60 V DC
	48 V AC
Nominal current I _N	4 A

Mechanical properties

Mechanical data

Insertion/withdrawal cycles	≥ 100
-----------------------------	-------

Connector

Connection 1

Head design	Socket
Head cable outlet	straight
Head thread type	M12
Head locking type	Push-Pull
Coding	A

Cable/line

Signal type/category	Universal
Stripping length of the individual wire	4 mm +0,5 mm

Environmental and real-life conditions

Ambient conditions

Degree of protection	IP65
Ambient temperature (operation) (male connector/female connector)	-40 °C ... 85 °C (Plug / socket)

Standards and regulations

Testing

SACC-P12FS-5CT-CM SH - Connector



1021817

<https://www.phoenixcontact.com/us/products/1021817>

Standards/regulations	PA 6.6: Fire protection in rail vehicles - requirement sets R22, R23, R24, and R26 acc. to DIN EN 45545-2 (Risk level HL1 - HL3)
Standard designation	M12 connector
Standards/specifications	IEC 61076-2-101
Note	according to
Standard designation	Shock, vibration
Standards/specifications	EN 50155:2001

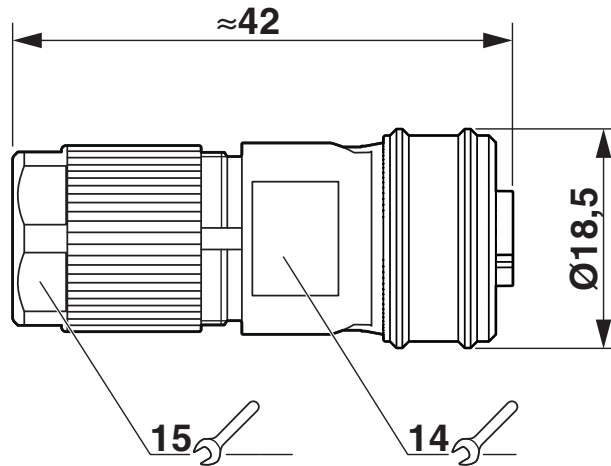
SACC-P12FS-5CT-CM SH - Connector

1021817

<https://www.phoenixcontact.com/us/products/1021817>

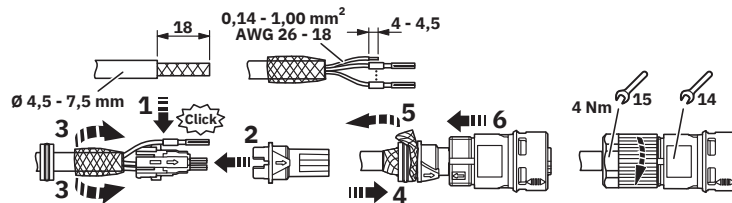
Drawings

Dimensional drawing



Dimensional drawing

Functional drawing



Functional drawing

SACC-P12FS-5CT-CM SH - Connector

1021817

<https://www.phoenixcontact.com/us/products/1021817>



Schematic diagram



M12 PUSH-PULL male pin assignment, 5-pos., socket-side view

SACC-P12FS-5CT-CM SH - Connector




1021817

<https://www.phoenixcontact.com/us/products/1021817>

Approvals

To download certificates, visit the product detail page: <https://www.phoenixcontact.com/us/products/1021817>

 cULus Recognized Approval ID: E221474		Nominal voltage U_N	Nominal current I_N	Cross section AWG	Cross section mm^2
keine					
	-	4 A	26 - 18	-	
for AC application only	-	4 A	26 - 18	-	

SACC-P12FS-5CT-CM SH - Connector



1021817

<https://www.phoenixcontact.com/us/products/1021817>

Classifications

ECLASS

ECLASS-13.0	27440116
ECLASS-15.0	27440116

ETIM

ETIM 10.0	EC002635
-----------	----------

UNSPSC

UNSPSC 21.0	39121400
-------------	----------

SACC-P12FS-5CT-CM SH - Connector



1021817

<https://www.phoenixcontact.com/us/products/1021817>

Environmental product compliance

EU RoHS

Fulfills EU RoHS substance requirements	Yes, No exemptions
---	--------------------

China RoHS

Environment friendly use period (EFUP)	EFUP-E
	No hazardous substances above the limits

EU REACH SVHC

REACH candidate substance (CAS No.)	No substance above 0.1 wt%
-------------------------------------	----------------------------

EF3.1 Climate Change

CO2e kg	2.181 kg CO2e
---------	---------------

Phoenix Contact 2026 © - all rights reserved
<https://www.phoenixcontact.com>

Phoenix Contact USA
586 Fulling Mill Road
Middletown, PA 17057, United States
(+717) 944-1300
info@phoenixcon.com