

QPD W 4PE1,5 9-14 M25 0,1 BK - Panel feed-through



1019764

<https://www.phoenixcontact.com/us/products/1019764>

Please be informed that the data shown in this PDF document is generated from our online catalog. Please find the complete data in the user documentation. Our general terms of use for downloads are valid.



Panel feed-through, 17.5 A, PA, coding: Coding profile, external cable diameter: 10 mm ... 14 mm

Commercial data

Item number	1019764
Packing unit	1 pc
Note	Made to order (non-returnable)
Sales key	BF50
Product key	AF6ACA
GTIN	4055626507842
Weight per piece (including packing)	52.3 g
Weight per piece (excluding packing)	52.3 g
Customs tariff number	85366990
Country of origin	PL

1019764

<https://www.phoenixcontact.com/us/products/1019764>

Technical data

Product properties

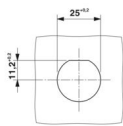
Product type	Panel feed-through
Product family	QPD
Coding	Coding profile

Connection data

Connection technology

Frequency of connections between conductors of the same cross section	max. 10
---	---------

Dimensions

Dimensional drawing	
Width	30 mm
Height	30 mm
Length	64.7 mm
Diameter	30 mm

Electrical properties

Nominal voltage U_N	690 V
Nominal current I_N	17.5 A

Mechanical properties

Mechanical data

Insertion/withdrawal cycles	max. 50
-----------------------------	---------

Material specifications

Color	black (RAL 9005)
Material Housing	PA
Material Contact	Cu
Material Contact surface	silver-plated

Cable/line

External cable diameter	10 mm ... 14 mm
-------------------------	-----------------

Environmental and real-life conditions

Ambient conditions

Ambient temperature (operation)	-40 °C ... 100 °C
---------------------------------	-------------------

QPD W 4PE1,5 9-14 M25 0,1 BK - Panel feed-through



1019764

<https://www.phoenixcontact.com/us/products/1019764>

Temperature when conductor connected	-5 °C ... 50 °C
Ambient temperature (storage/transport)	-40 °C ... 80 °C

QPD W 4PE1,5 9-14 M25 0,1 BK - Panel feed-through

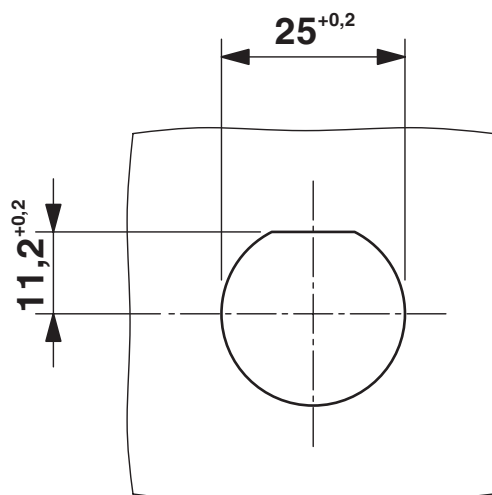


1019764

<https://www.phoenixcontact.com/us/products/1019764>

Drawings

Dimensional drawing



Panel cutout

QPD W 4PE1,5 9-14 M25 0,1 BK - Panel feed-through



1019764

<https://www.phoenixcontact.com/us/products/1019764>

Classifications

ECLASS

ECLASS-13.0	27440602
ECLASS-15.0	27440602

UNSPSC

UNSPSC 21.0	39121522
-------------	----------

1019764

<https://www.phoenixcontact.com/us/products/1019764>

Environmental product compliance

China RoHS

Environment friendly use period (EFUP)	EFUP-50
	An article-related China RoHS declaration table can be found in the download area for the respective article under "Manufacturer declaration". For all articles with EFUP-E, no China RoHS declaration table issued and required.

EU REACH SVHC

REACH candidate substance (CAS No.)	No substance above 0.1 wt%
-------------------------------------	----------------------------

Phoenix Contact 2026 © - all rights reserved
<https://www.phoenixcontact.com>

Phoenix Contact USA
586 Fulling Mill Road
Middletown, PA 17057, United States
(+717) 944-1300
info@phoenixcon.com