

SCC 20-F - Shield connection terminal block



1019428

<https://www.phoenixcontact.com/us/products/1019428>

Please be informed that the data shown in this PDF document is generated from our online catalog. Please find the complete data in the user documentation. Our general terms of use for downloads are valid.



Shield connection terminal block, number of positions: 1, connection method: Spring-cage connection, mounting type: Mounting panel, color: black

The figure shows a version of the article

Your advantages

- Convenient single-handed installation
- Shield connection clamps for cable diameters up to 20 mm
- Modern spring technology protects against vibrations
- Low transfer impedance due to large-surface shield connection
- High corrosion resistance
- Unique marking surface for cable designations
- As components, it is not possible to certify shield connections in accordance with the requirements of the directive and standards for electrical equipment in potentially explosive areas. As such, shield connection clamps can be used in the Ex area even without an appropriate approval or marking.

Commercial data

Item number	1019428
Packing unit	10 pc
Minimum order quantity	10 pc
Sales key	BE75
Product key	BE7521
GTIN	4055626506203
Weight per piece (including packing)	43.2 g
Weight per piece (excluding packing)	43.68 g
Customs tariff number	85369010
Country of origin	CN

SCC 20-F - Shield connection terminal block



1019428

<https://www.phoenixcontact.com/us/products/1019428>

Technical data

Notes

General

Note	The shield connection clamps must not be used for strain relief of cables/conductors.
	Do not use for protective conductor connection.

Product properties

Product type	Shield connection clamp
Number of positions	1

Electrical properties

Maximum power dissipation for nominal condition	0 W
---	-----

Connection data

Connection method	Spring-cage connection
Stripping length	50 mm

Dimensions

Width	24.7 mm
Height	47.6 mm
Depth	42.3 mm

Material specifications

Color	black (RAL 9005)
Flammability rating according to UL 94	V0
Insulating material group	CTI 600
Insulating material	PA 6.6
Static insulating material application in cold	-60 °C
Relative insulation material temperature index (Elec., UL 746 B)	130 °C
Fire protection for rail vehicles (DIN EN 45545-2) R22	HL 1 - HL 3
Fire protection for rail vehicles (DIN EN 45545-2) R23	HL 1 - HL 3
Fire protection for rail vehicles (DIN EN 45545-2) R24	HL 1 - HL 3
Fire protection for rail vehicles (DIN EN 45545-2) R26	HL 1 - HL 3
Surface flammability NFPA 130 (ASTM E 162)	passed
Specific optical density of smoke NFPA 130 (ASTM E 662)	passed
Smoke gas toxicity NFPA 130 (SMP 800C)	passed

Cable/line

External cable diameter	10 mm ... 20 mm
-------------------------	-----------------

Mechanical tests

SCC 20-F - Shield connection terminal block



1019428

<https://www.phoenixcontact.com/us/products/1019428>

Mechanical strength

Result	Test passed
--------	-------------

Environmental and real-life conditions

Needle-flame test

Time of exposure	30 s
Result	Test passed

Oscillation/broadband noise

Specification	DIN EN 50155 (VDE 0115-200):2018-05
Spectrum	Long life test category 2, bogie-mounted
Frequency	$f_1 = 5 \text{ Hz}$ to $f_2 = 250 \text{ Hz}$
ASD level	$6.12 \text{ (m/s}^2\text{)}^2\text{/Hz}$
Acceleration	3.12g
Test duration per axis	5 h
Test directions	X-, Y- and Z-axis
Result	Test passed

Shocks

Specification	DIN EN 50155 (VDE 0115-200):2018-05
Pulse shape	Half-sine
Acceleration	30g
Shock duration	18 ms
Number of shocks per direction	3
Test directions	X-, Y- and Z-axis (pos. and neg.)
Result	Test passed

Ambient conditions

Ambient temperature (operation)	-60 °C ... 110 °C (Operating temperature range incl. self-heating; for max. short-term operating temperature, see RTI Elec.)
Ambient temperature (storage/transport)	-25 °C ... 60 °C (for a short time, not exceeding 24 h, -60 °C to +70 °C)
Ambient temperature (assembly)	-5 °C ... 70 °C
Ambient temperature (actuation)	-5 °C ... 70 °C
Permissible humidity (operation)	20 % ... 90 %
Permissible humidity (storage/transport)	30 % ... 70 %

Mounting

Mounting type	Mounting panel
---------------	----------------

SCC 20-F - Shield connection terminal block

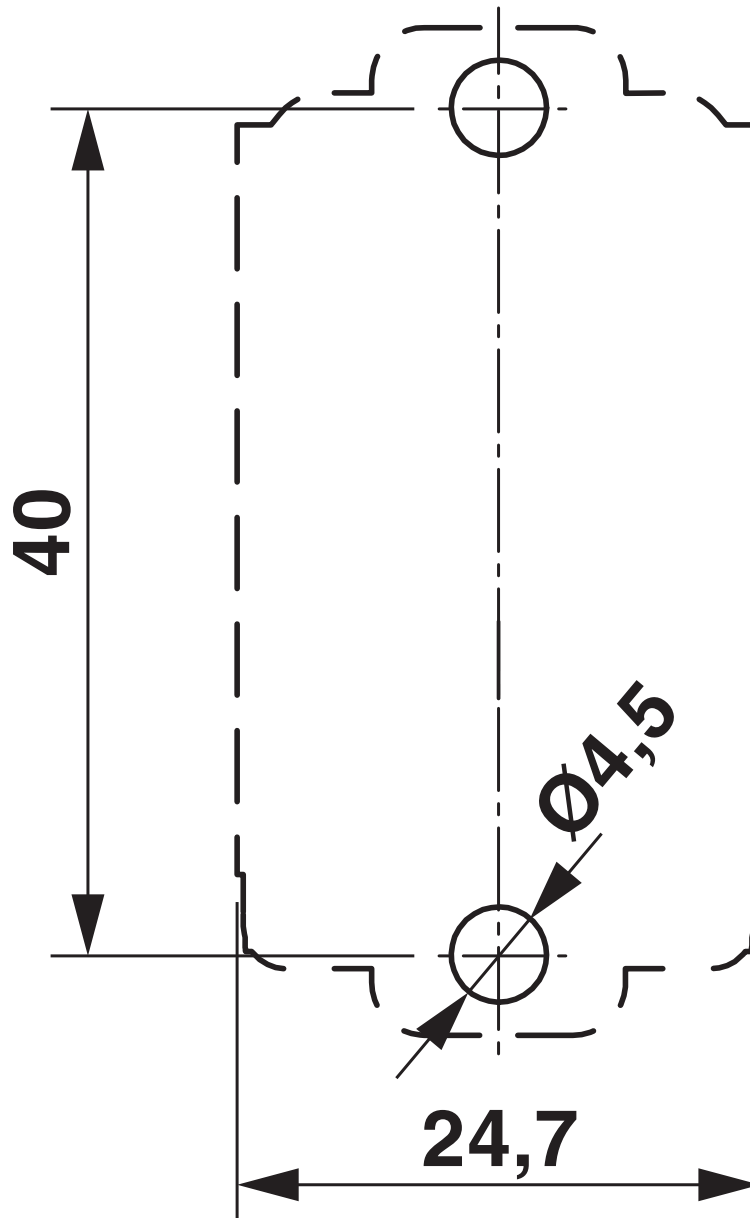


1019428

<https://www.phoenixcontact.com/us/products/1019428>

Drawings

Drilling plan/solder pad geometry



SCC 20-F - Shield connection terminal block



1019428

<https://www.phoenixcontact.com/us/products/1019428>

Classifications

ECLASS

ECLASS-13.0	27250309
ECLASS-15.0	27250309

ETIM

ETIM 10.0	EC002020
-----------	----------

UNSPSC

UNSPSC 21.0	39121400
-------------	----------

SCC 20-F - Shield connection terminal block



1019428

<https://www.phoenixcontact.com/us/products/1019428>

Environmental product compliance

EU RoHS

Fulfills EU RoHS substance requirements	Yes, No exemptions
---	--------------------

China RoHS

Environment friendly use period (EFUP)	EFUP-E
	No hazardous substances above the limits

EU REACH SVHC

REACH candidate substance (CAS No.)	No substance above 0.1 wt%
-------------------------------------	----------------------------

Phoenix Contact 2026 © - all rights reserved
<https://www.phoenixcontact.com>

Phoenix Contact USA
586 Fulling Mill Road
Middletown, PA 17057, United States
(+717) 944-1300
info@phoenixcon.com