

PSD-S 50 CE-M12-5P - Connection element



1018853

<https://www.phoenixcontact.com/us/products/1018853>

Please be informed that the data shown in this PDF document is generated from our online catalog. Please find the complete data in the user documentation. Our general terms of use for downloads are valid.

Base with integrated M12 male (5 pins)



Product description

This connection element is intended to be part of a modular signal tower and is used to electrically connect the tower. According to your requirements, a signal tower may comprise any combination of up to four signal elements. You may use up to four optical signal elements or up to three optical and one audible signal element. Only use an audible signal element as the top element. A bayonet locking system establishes the mechanical and electrical connection between the elements. Please note that PSD-S 50 signal towers (50 mm diameter) are not mechanically compatible with PSD-S signal towers (70 mm diameter).

Your advantages

- Connection element for mounting on an M22 mounting thread
- M12 connection technology (5-pos.)
- Degree of protection: IP65, when mounted

Commercial data

Item number	1018853
Packing unit	1 pc
Minimum order quantity	1 pc
Sales key	DR07
Product key	DRL116
GTIN	4055626504827
Weight per piece (including packing)	105.8 g
Weight per piece (excluding packing)	105.8 g
Customs tariff number	85319000
Country of origin	AT

PSD-S 50 CE-M12-5P - Connection element



1018853

<https://www.phoenixcontact.com/us/products/1018853>

Technical data

Notes

Note on application

Note on application	Only for industrial use
---------------------	-------------------------

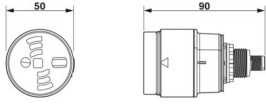
Product properties

Product type	Assembly element
Product family	PSD-S 50
Scope of supply	End cover and seal
Number of mountable signal elements	max. 4

Connection data

Connection method	M12
-------------------	-----

Dimensions

Dimensional drawing	
Height	90 mm
Diameter	50 mm

Material specifications

Color	black
Color (Housing)	black (RAL 9005)
Material	PA-GF

Environmental and real-life conditions

Ambient conditions

Degree of protection	IP65 (when installed)
Ambient temperature (operation)	-30 °C ... 60 °C

Mounting

Mounting type	Single-hole mounting (M22 mounting thread, seal included)
Mounting position	any

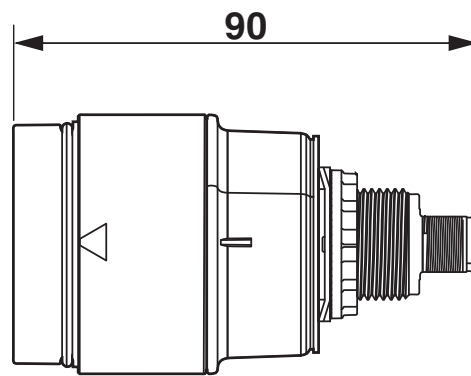
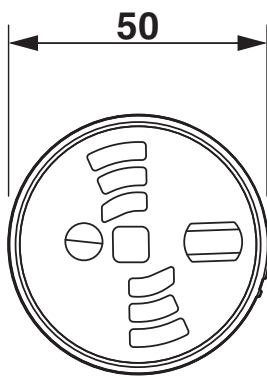
PSD-S 50 CE-M12-5P - Connection element

1018853

<https://www.phoenixcontact.com/us/products/1018853>

Drawings

Dimensional drawing



PSD-S 50 CE-M12-5P - Connection element



1018853

<https://www.phoenixcontact.com/us/products/1018853>

Approvals

To download certificates, visit the product detail page: <https://www.phoenixcontact.com/us/products/1018853>



cULus Listed

Approval ID: E140324

PSD-S 50 CE-M12-5P - Connection element



1018853

<https://www.phoenixcontact.com/us/products/1018853>

Classifications

ECLASS

ECLASS-13.0	27371232
ECLASS-15.0	27371232

ETIM

ETIM 10.0	EC001152
-----------	----------

UNSPSC

UNSPSC 21.0	46171600
-------------	----------

PSD-S 50 CE-M12-5P - Connection element



1018853

<https://www.phoenixcontact.com/us/products/1018853>

Environmental product compliance

EU RoHS

Fulfills EU RoHS substance requirements	Yes
Exemption	6(c)

China RoHS

Environment friendly use period (EFUP)	EFUP-25
	An article-related China RoHS declaration table can be found in the download area for the respective article under "Manufacturer declaration". For all articles with EFUP-E, no China RoHS declaration table issued and required.

EU REACH SVHC

REACH candidate substance (CAS No.)	Lead(CAS: 7439-92-1)
-------------------------------------	----------------------

EF3.1 Climate Change

CO2e kg	2.791 kg CO2e
---------	---------------

Phoenix Contact 2026 © - all rights reserved
<https://www.phoenixcontact.com>

Phoenix Contact USA
586 Fulling Mill Road
Middletown, PA 17057, United States
(+717) 944-1300
info@phoenixcon.com