

# PSD-S 50 CE BR-SM/HCR - Connection element



1018742

<https://www.phoenixcontact.com/us/products/1018742>

Please be informed that the data shown in this PDF document is generated from our online catalog. Please find the complete data in the user documentation. Our general terms of use for downloads are valid.

Base for vertical assembly



## Product description

This connection element is intended to be part of a modular signal tower and is used to electrically connect the tower. According to your requirements, a signal tower may comprise any combination of up to five signal elements. You may use up to five optical signal elements or up to four optical and one audible signal element. Only use an audible signal element as the top element. A bayonet locking system establishes the mechanical and electrical connection between the elements. Please note that PSD-S 50 signal towers (50 mm diameter) are not mechanically compatible with PSD-S signal towers (70 mm diameter).

## Your advantages

- Connection element for mounting on a mounting surface (floor), junction box, or bracket
- Push-in connection technology
- Degree of protection: IP65, when mounted



## Commercial data

Item number	1018742
Packing unit	1 pc
Minimum order quantity	1 pc
Sales key	DR07
Product key	DRL116
GTIN	4055626503783
Weight per piece (including packing)	113.5 g
Weight per piece (excluding packing)	113.5 g

# PSD-S 50 CE BR-SM/HCR - Connection element



1018742

<https://www.phoenixcontact.com/us/products/1018742>

Customs tariff number	85319000
Country of origin	AT

# PSD-S 50 CE BR-SM/HCR - Connection element



1018742

<https://www.phoenixcontact.com/us/products/1018742>

## Technical data

### Notes

#### Note on application

Note on application	Only for industrial use
---------------------	-------------------------

### Product properties

Product type	Assembly element
Product family	PSD-S 50
Scope of supply	End cover and seal
Number of mountable signal elements	max. 5

### Connection data

#### without ferrule

Connection method	Push-in connection
Conductor cross-section, flexible	0.5 mm <sup>2</sup> ... 1.5 mm <sup>2</sup>
Conductor cross-section, flexible [AWG]	... 16
Stripping length	7 mm

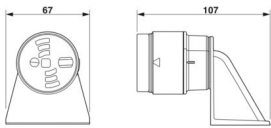
#### With ferrule

Connection method	Push-in connection
Conductor cross-section, flexible	0.25 mm <sup>2</sup> ... 1.5 mm <sup>2</sup>
Conductor cross-section, flexible [AWG]	... 16
Stripping length	7 mm

#### solid

Connection method	Push-in connection
Conductor cross-section, rigid	0.5 mm <sup>2</sup> ... 1.5 mm <sup>2</sup>
Stripping length	7 mm

### Dimensions

Dimensional drawing	
Width	67 mm
Height	107 mm

### Material specifications

Color	black
Color (Housing)	black (RAL 9005)
Material	PA-GF

# PSD-S 50 CE BR-SM/HCR - Connection element



1018742

<https://www.phoenixcontact.com/us/products/1018742>

## Environmental and real-life conditions

### Ambient conditions

Degree of protection	IP65 (when installed)
Ambient temperature (operation)	-30 °C ... 60 °C

## Mounting

Mounting type	Screw mounting (Seal enclosed)
Mounting position	any

# PSD-S 50 CE BR-SM/HCR - Connection element

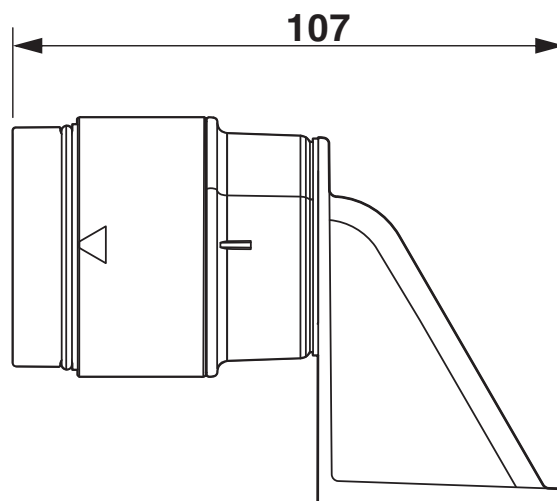
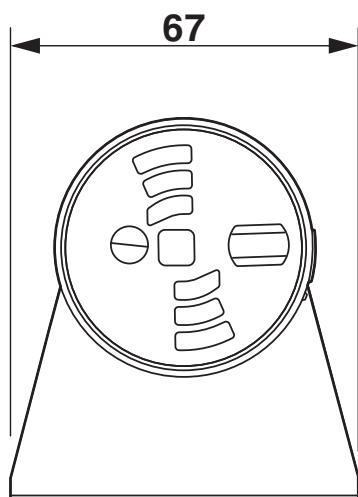


1018742

<https://www.phoenixcontact.com/us/products/1018742>

## Drawings

Dimensional drawing



# PSD-S 50 CE BR-SM/HCR - Connection element



1018742

<https://www.phoenixcontact.com/us/products/1018742>

## Approvals

To download certificates, visit the product detail page: <https://www.phoenixcontact.com/us/products/1018742>



**cULus Listed**

Approval ID: E140324

# PSD-S 50 CE BR-SM/HCR - Connection element



1018742

<https://www.phoenixcontact.com/us/products/1018742>

## Classifications

### ECLASS

ECLASS-13.0	27371232
ECLASS-15.0	27371232

### ETIM

ETIM 10.0	EC001152
-----------	----------

### UNSPSC

UNSPSC 21.0	46171600
-------------	----------

# PSD-S 50 CE BR-SM/HCR - Connection element



1018742

<https://www.phoenixcontact.com/us/products/1018742>

## Environmental product compliance

### EU RoHS

Fulfills EU RoHS substance requirements	Yes, No exemptions
---	--------------------

### China RoHS

Environment friendly use period (EFUP)	EFUP-E
	No hazardous substances above the limits

### EU REACH SVHC

REACH candidate substance (CAS No.)	No substance above 0.1 wt%
-------------------------------------	----------------------------

### EF3.1 Climate Change

CO2e kg	2.377 kg CO2e
---------	---------------

Phoenix Contact 2026 © - all rights reserved  
<https://www.phoenixcontact.com>

Phoenix Contact USA  
586 Fulling Mill Road  
Middletown, PA 17057, United States  
(+717) 944-1300  
[info@phoenixcon.com](mailto:info@phoenixcon.com)