

FOC-MODUL:3U-17S12-LCD6-OM1 - Module



1018571

<https://www.phoenixcontact.com/us/products/1018571>

Please be informed that the data shown in this PDF document is generated from our online catalog. Please find the complete data in the user documentation. Our general terms of use for downloads are valid.



Preassembled fiber-optic distribution module (3 RU) , for connecting M17 MPO plug assembly, can be installed in a 19" fiber-optic distributor box (3 RU)

Your advantages

- Compact design with MT ferrule
- Can be flexibly installed in module carrier
- Modular enclosure design, up to 12 insert modules can be placed into 3U enclosure as required, in order to achieve high packing density FO connection
- The number of insert modules can be freely configured. For module vacancies, there are optional covers to be used with
- Insert module configured with 12-position M17 series MPO coupler and LC standard adapter

Commercial data

Item number	1018571
Packing unit	1 pc
Minimum order quantity	1 pc
Sales key	AB15
Product key	ABNHBC
GTIN	4055626504001
Weight per piece (including packing)	361.7 g
Weight per piece (excluding packing)	330.886 g
Customs tariff number	85367000
Country of origin	CN

1018571

<https://www.phoenixcontact.com/us/products/1018571>

Technical data

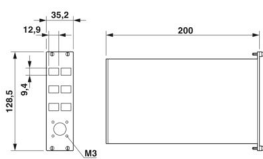
Product properties

Product type	Network distributor box
Housing type	Component housing
Type	3RU
Sensor type	Ethernet
Number of positions	12

Electrical properties

Attenuation	typ. 0.35 dB
-------------	--------------

Dimensions

Dimensional drawing	
Width	35.2 mm
Height	128.5 mm
Depth	25.5 mm

Material specifications

Color	gray
Flammability rating according to UL 94	V0
Ferrule material	PPS
Housing material	Aluminum alloy
Housing surface material	Powder-coated, gray
Outer sheath, material	LSFH

Cable/line

Cable type	Multimode fiberglass
Cable type	Fan out
Outer sheath, material	LSFH
Halogen-free	According to IEC 60754-2

FO cable

Fiber	62.5/125 µm OM1
Fiber type	Multimode fiberglass 62.5/125 µm
Attenuation	< 1.5 dB (1300 nm)
Transmission medium	Multi-mode fiberglass

Mechanical properties

1018571

<https://www.phoenixcontact.com/us/products/1018571>

Mechanical data

Insertion/withdrawal cycles	> 500
-----------------------------	-------

Characteristics

Attenuation	typ. 0.35 dB
-------------	--------------

Environmental and real-life conditions

Ambient conditions

Degree of protection	IP20
	IP65/IP67
Ambient temperature (operation)	-20 °C ... 70 °C

Standards and regulations

Standards/specifications	IEC 61300-3-4
--------------------------	---------------

Mounting

Mounting type	Screw mounting
---------------	----------------

FOC-MODUL:3U-17S12-LCD6-OM1 - Module

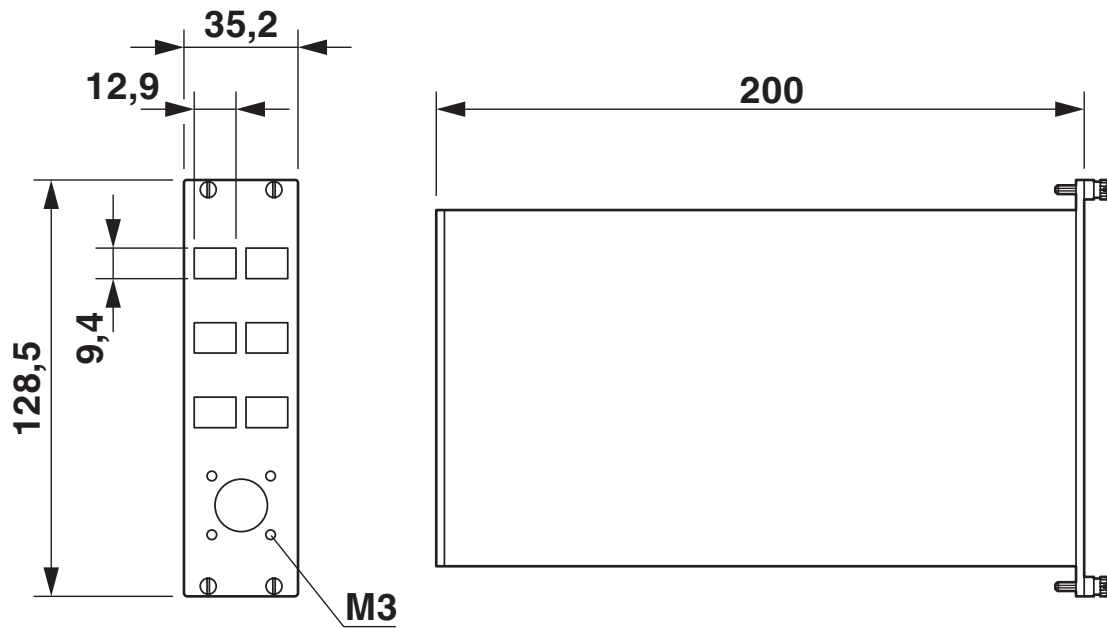


1018571

<https://www.phoenixcontact.com/us/products/1018571>

Drawings

Dimensional drawing



1018571

<https://www.phoenixcontact.com/us/products/1018571>

Classifications

ECLASS

ECLASS-13.0	19170113
ECLASS-15.0	19170113

ETIM

ETIM 10.0	EC002699
-----------	----------

UNSPSC

UNSPSC 21.0	39121400
-------------	----------

1018571

<https://www.phoenixcontact.com/us/products/1018571>

Environmental product compliance

EU RoHS

Fulfills EU RoHS substance requirements	Yes, No exemptions
---	--------------------

China RoHS

Environment friendly use period (EFUP)	EFUP-E
	No hazardous substances above the limits

EU REACH SVHC

REACH candidate substance (CAS No.)	No substance above 0.1 wt%
-------------------------------------	----------------------------

Phoenix Contact 2026 © - all rights reserved
<https://www.phoenixcontact.com>

Phoenix Contact USA
586 Fulling Mill Road
Middletown, PA 17057, United States
(+717) 944-1300
info@phoenixcon.com