

PSD-S 50 OE LED GN - Optical element



1018264

<https://www.phoenixcontact.com/us/products/1018264>

Please be informed that the data shown in this PDF document is generated from our online catalog. Please find the complete data in the user documentation. Our general terms of use for downloads are valid.

Permanent light element, 16 V DC ... 26 V DC, green, LED



Product description

This optical signal element is designed to be part of a modular signal tower. According to your requirements, a signal tower can be combined as desired, from a maximum of five signal elements. Set up to a maximum of five optical signal elements or up to four optical and one audible signal element. Only use an audible signal element as the top element. A bayonet locking system establishes the mechanical and electrical connection between the elements. Connection elements with spring-cage connection can be used for electrical connection of the signal tower. Various accessories are available to assemble the signal tower. Please note that PSD-S 50 signal towers (50 mm diameter) are not mechanically compatible with PSD-S signal towers (70 mm diameter).

Your advantages

- High light and color intensity
- LED service life 100000 h
- Low power consumption
- Smooth exterior design
- Degree of protection IP65

Commercial data

| | |
|--------------------------------------|---------------|
| Item number | 1018264 |
| Packing unit | 1 pc |
| Minimum order quantity | 1 pc |
| Sales key | DR07 |
| Product key | DRL112 |
| GTIN | 4055626502281 |
| Weight per piece (including packing) | 47.6 g |
| Weight per piece (excluding packing) | 47.6 g |
| Customs tariff number | 85318070 |
| Country of origin | AT |

PSD-S 50 OE LED GN - Optical element



1018264

<https://www.phoenixcontact.com/us/products/1018264>

Technical data

Notes

Note on application

| | |
|---------------------|-------------------------|
| Note on application | Only for industrial use |
|---------------------|-------------------------|

Product properties

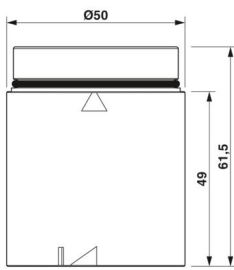
| | |
|---------------------|----------------|
| Product type | Signal element |
| Product family | PSD-S 50 |
| Area of application | Signal tower |
| Base | B15d (bayonet) |

Electrical properties

General

| | |
|-----------------------------|---------------------|
| Input voltage | 24 V DC |
| Nominal input voltage range | 16 V DC ... 26 V DC |
| Maximum inrush current | max. 500 mA |
| Current consumption | max. 35 mA |
| Source of light type | LED |
| Service life electrical | max. 100,000 h |
| Optical signal type | Permanent light |

Dimensions

| | |
|---------------------|--|
| Dimensional drawing |  |
| Height | 61.5 mm |
| Diameter | 50 mm |

Material specifications

| | |
|-----------------|-----------------------|
| Calotte color | green |
| Color (Housing) | gray beige (RAL 1019) |
| Material | Polycarbonate PC |

Environmental and real-life conditions

Ambient conditions

| | |
|----------------------|---|
| Degree of protection | IP65 (when installed or with end cover) |
|----------------------|---|

PSD-S 50 OE LED GN - Optical element



1018264

<https://www.phoenixcontact.com/us/products/1018264>

| | |
|---------------------------------|------------------|
| Ambient temperature (operation) | -30 °C ... 60 °C |
|---------------------------------|------------------|

Mounting

| | |
|-------------------|--|
| Mounting type | Plug-in mounting (Seal pre-installed for each element) |
| Mounting position | any |

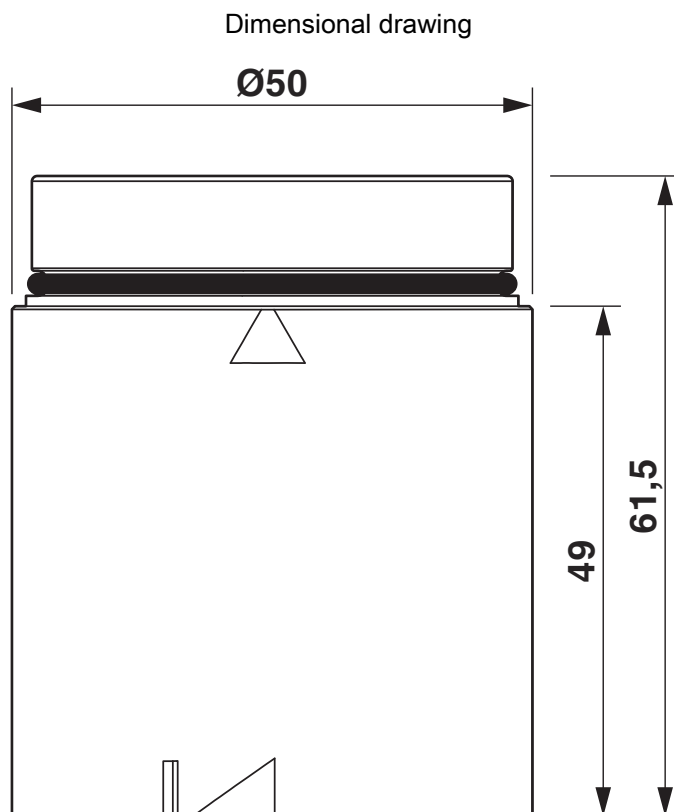
PSD-S 50 OE LED GN - Optical element

1018264

<https://www.phoenixcontact.com/us/products/1018264>



Drawings



PSD-S 50 OE LED GN - Optical element



1018264

<https://www.phoenixcontact.com/us/products/1018264>

Approvals

To download certificates, visit the product detail page: <https://www.phoenixcontact.com/us/products/1018264>



cULus Listed

Approval ID: E140324

PSD-S 50 OE LED GN - Optical element



1018264

<https://www.phoenixcontact.com/us/products/1018264>

Classifications

ECLASS

| | |
|-------------|----------|
| ECLASS-13.0 | 27371220 |
| ECLASS-15.0 | 27371220 |

ETIM

| | |
|-----------|----------|
| ETIM 10.0 | EC000232 |
|-----------|----------|

UNSPSC

| | |
|-------------|----------|
| UNSPSC 21.0 | 46171600 |
|-------------|----------|

PSD-S 50 OE LED GN - Optical element



1018264

<https://www.phoenixcontact.com/us/products/1018264>

Environmental product compliance

EU RoHS

| | |
|---|--------------------|
| Fulfills EU RoHS substance requirements | Yes, No exemptions |
|---|--------------------|

China RoHS

| | |
|--|--|
| Environment friendly use period (EFUP) | EFUP-E |
| | No hazardous substances above the limits |

EU REACH SVHC

| | |
|-------------------------------------|----------------------------|
| REACH candidate substance (CAS No.) | No substance above 0.1 wt% |
|-------------------------------------|----------------------------|

EF3.1 Climate Change

| | |
|---------|---------------|
| CO2e kg | 1.695 kg CO2e |
|---------|---------------|

Phoenix Contact 2026 © - all rights reserved
<https://www.phoenixcontact.com>

Phoenix Contact USA
586 Fulling Mill Road
Middletown, PA 17057, United States
(+717) 944-1300
info@phoenixcon.com