

PSD-S 50 OE LED AM - Optical element



1018262

<https://www.phoenixcontact.com/us/products/1018262>

Please be informed that the data shown in this PDF document is generated from our online catalog. Please find the complete data in the user documentation. Our general terms of use for downloads are valid.

Permanent light element, 16 V DC ... 26 V DC, orange, LED



Product description

This optical signal element is designed to be part of a modular signal tower. According to your requirements, a signal tower can be combined as desired, from a maximum of five signal elements. Set up to a maximum of five optical signal elements or up to four optical and one audible signal element. Only use an audible signal element as the top element. A bayonet locking system establishes the mechanical and electrical connection between the elements. Connection elements with spring-cage connection can be used for electrical connection of the signal tower. Various accessories are available to assemble the signal tower. Please note that PSD-S 50 signal towers (50 mm diameter) are not mechanically compatible with PSD-S signal towers (70 mm diameter).

Your advantages

- High light and color intensity
- LED service life 100000 h
- Low power consumption
- Smooth exterior design
- Degree of protection IP65

Commercial data

Item number	1018262
Packing unit	1 pc
Minimum order quantity	1 pc
Sales key	DR07
Product key	DRL112
GTIN	4055626503035
Weight per piece (including packing)	47.5 g
Weight per piece (excluding packing)	47.5 g
Customs tariff number	85318070
Country of origin	AT

PSD-S 50 OE LED AM - Optical element



1018262

<https://www.phoenixcontact.com/us/products/1018262>

Technical data

Notes

Note on application

Note on application	Only for industrial use
---------------------	-------------------------

Product properties

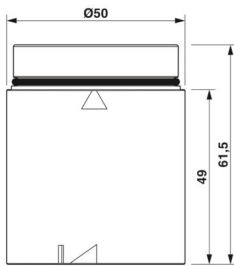
Product type	Signal element
Product family	PSD-S 50
Area of application	Signal tower
Base	B15d (bayonet)

Electrical properties

General

Input voltage	24 V DC
Nominal input voltage range	16 V DC ... 26 V DC
Maximum inrush current	max. 500 mA
Current consumption	max. 35 mA
Source of light type	LED
Service life electrical	max. 100,000 h
Optical signal type	Permanent light

Dimensions

Dimensional drawing	
Height	61.5 mm
Diameter	50 mm

Material specifications

Calotte color	orange
Color (Housing)	gray beige (RAL 1019)
Material	Polycarbonate PC

Environmental and real-life conditions

Ambient conditions

Degree of protection	IP65 (when installed or with end cover)
----------------------	---

PSD-S 50 OE LED AM - Optical element



1018262

<https://www.phoenixcontact.com/us/products/1018262>

Ambient temperature (operation)	-30 °C ... 60 °C
---------------------------------	------------------

Mounting

Mounting type	Plug-in mounting (Seal pre-installed for each element)
Mounting position	any

PSD-S 50 OE LED AM - Optical element

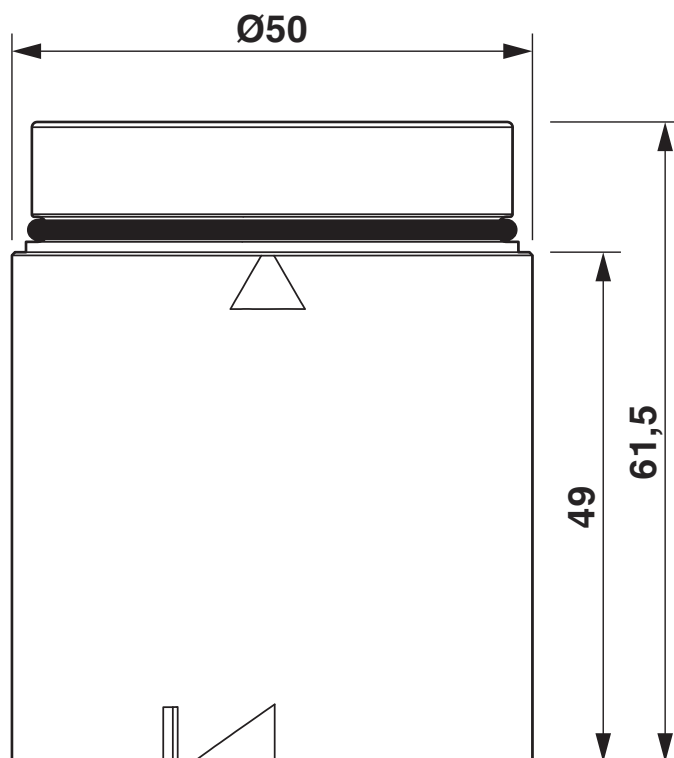
1018262

<https://www.phoenixcontact.com/us/products/1018262>



Drawings

Dimensional drawing



PSD-S 50 OE LED AM - Optical element



1018262

<https://www.phoenixcontact.com/us/products/1018262>

Approvals

To download certificates, visit the product detail page: <https://www.phoenixcontact.com/us/products/1018262>



cULus Listed

Approval ID: E140324

PSD-S 50 OE LED AM - Optical element



1018262

<https://www.phoenixcontact.com/us/products/1018262>

Classifications

ECLASS

ECLASS-13.0	27371220
ECLASS-15.0	27371220

ETIM

ETIM 10.0	EC000232
-----------	----------

UNSPSC

UNSPSC 21.0	46171600
-------------	----------

PSD-S 50 OE LED AM - Optical element



1018262

<https://www.phoenixcontact.com/us/products/1018262>

Environmental product compliance

EU RoHS

Fulfills EU RoHS substance requirements	Yes, No exemptions
---	--------------------

China RoHS

Environment friendly use period (EFUP)	EFUP-E
	No hazardous substances above the limits

EU REACH SVHC

REACH candidate substance (CAS No.)	No substance above 0.1 wt%
-------------------------------------	----------------------------

EF3.1 Climate Change

CO2e kg	1.695 kg CO2e
---------	---------------

Phoenix Contact 2026 © - all rights reserved
<https://www.phoenixcontact.com>

Phoenix Contact USA
586 Fulling Mill Road
Middletown, PA 17057, United States
(+717) 944-1300
info@phoenixcon.com