

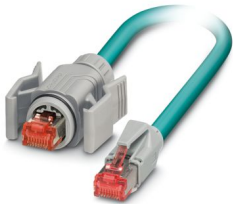
NBC-R4AC/5,0-94B/R4MCB-CO - Network cable



1017113

<https://www.phoenixcontact.com/us/products/1017113>

Please be informed that the data shown in this PDF document is generated from our online catalog. Please find the complete data in the user documentation. Our general terms of use for downloads are valid.



Assembled Ethernet cable, shielded, 4-pair, 26 AWG stranded (7-wire), RAL 5021 (water blue), M12 socket on RJ45 male connector/IP20, line, length: 3 m

Commercial data

Item number	1017113
Packing unit	1 pc
Minimum order quantity	100 pc
Note	Made to order (non-returnable)
Product key	ABNABE
GTIN	4055626507675
Weight per piece (including packing)	275.5 g
Country of origin	PL

1017113

<https://www.phoenixcontact.com/us/products/1017113>

Technical data

Product properties

Product type	Data cable preassembled
Product family	RJ45 INDUSTRIAL IE8 CAT5
Number of positions	8
No. of cable outlets	1
Shielded	yes
Coding	D
Cable outlet	straight

Insulation characteristics

Degree of pollution	2
---------------------	---

Interfaces

Signal type/category	Ethernet CAT5, 1 Gbps
----------------------	-----------------------

Signaling

Status display	no
----------------	----

Electrical properties

Rated voltage (III/3)	72 V (DC)
Transmission speed	1 Gbps

Mechanical properties

Mechanical data

Insertion/withdrawal cycles	≥ 750
-----------------------------	-------

Material specifications

Flammability rating according to UL 94	V2
Outer sheath, material	PUR
Conductor material	Bare Cu litz wires

Connector

Connection 1

Type	Plug straight RJ45
Locking type	SPEEDCON
Shielded	yes
Handle color	gray
Degree of protection	IP67

Connection 2

Type	Plug straight RJ45
Handle color	gray

NBC-R4AC/5,0-94B/R4MCB-CO - Network cable



1017113


<https://www.phoenixcontact.com/us/products/1017113>

Degree of protection	IP20
----------------------	------

Cable/line

Cable length	5.00 m
--------------	--------

Ethernet flexible CAT5, 4-pair [94B]

Dimensional drawing	
Shielded	yes
UL AWM Style	20963 (80°C/30 V)
Cable weight	47 kg/km
Cable type	Ethernet flexible CAT5, 4-pair
Cable type (abbreviation)	94B
Signal type/category	Ethernet CAT5 (IEC 11801), 1 Gbps
Cable structure	4x2xAWG26/7, SF/UTP
External cable diameter	6.40 mm ±0.2 mm
Outer sheath, material	PUR
External sheath, color	water blue RAL 5021
Thickness, outer sheath	1.05 mm
Conductor material	Bare Cu litz wires
Conductor structure signal line	7x 0.16 mm
AWG signal line	26
Conductor cross-section	4x 2x 0.14 mm ²
Material wire insulation	Foamed PE
Wire diameter incl. insulation	0.96 mm
Single wire, color	white/blue-blue, white/orange-orange, white/green-green, white/brown-brown
Twisted pairs	2 cores to the pair
Overall twist	4 pairs for core
Shielding	Aluminum-coated foil, tinned copper braided shield
Optical shield covering	70 %
Nominal voltage, cable	≤ 100 V
Test voltage Core/Core	700 V (50 Hz, 1 min.)
Test voltage Core/Shield	700.00 V (50 Hz, 1 min.)
Cable insulation resistance	≥ 5 GΩ*km
Coupling resistance	≤ 100.00 mΩ/m (at 10 MHz)
Wave impedance	100 Ω ±5 Ω (at 100 MHz)
Loop resistance	≤ 290.00 Ω/km

NBC-R4AC/5,0-94B/R4MCB-CO - Network cable



1017113

<https://www.phoenixcontact.com/us/products/1017113>

Cable capacity	48 nF/km (at 1 kHz)
Signal runtime	5.3 ns/m
Tensile strength	≤ 100 N
Minimum bending radius, fixed installation	4 x D
Minimum bending radius, flexible installation	8 x D
Near end crosstalk attenuation (NEXT)	71.3 dB (with 1 MHz)
	62.3 dB (at 4 MHz)
	56.3 dB (at 10 MHz)
	53.2 dB (at 16 MHz)
	51.8 dB (at 20 MHz)
	48.9 dB (at 31.25 MHz)
	44.4 dB (at 62.5 MHz)
	41.3 dB (at 100 MHz)
Power-summed near end crosstalk attenuation (PSNEXT)	62.3 dB (with 1 MHz)
	53.3 dB (at 4 MHz)
	47.3 dB (at 10 MHz)
	44.2 dB (at 16 MHz)
	42.8 dB (at 20 MHz)
	39.9 dB (at 31.25 MHz)
	35.4 dB (at 62.5 MHz)
	32.3 dB (at 100 MHz)
Return attenuation (RL)	23 dB (at 4 MHz)
	24.1 dB (at 8 MHz)
	25 dB (at 10 MHz)
	25 dB (at 16 MHz)
	25 dB (at 20 MHz)
	23.6 dB (at 31.25 MHz)
	21.5 dB (at 62.5 MHz)
	20.1 dB (at 100 MHz)
Halogen-free	according to IEC 60754-1
Resistance to oil	in accordance with EN 60811-2-1
Flame resistance	according to IEC 60332-1-2
Ambient temperature (operation)	-20 °C ... 80 °C (Cable, flexible installation)
	-40 °C ... 80 °C (cable, fixed installation)

Environmental and real-life conditions

Ambient conditions

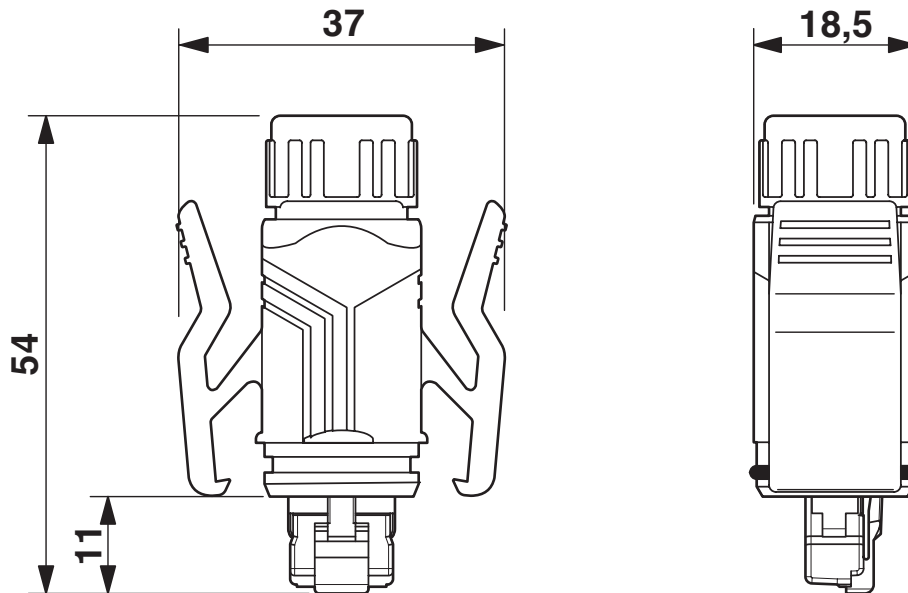
Degree of protection	IP20
	IP67/IP20

1017113

<https://www.phoenixcontact.com/us/products/1017113>

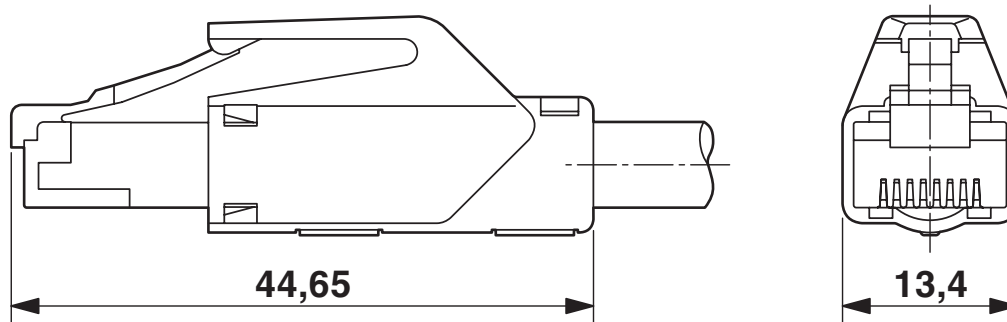
Drawings

Dimensional drawing



M12 flush-type connector

Dimensional drawing



Housing cutout for M16 fastening thread, mounting panel with feed-through hole (alternatively with surface as protection against rotation)

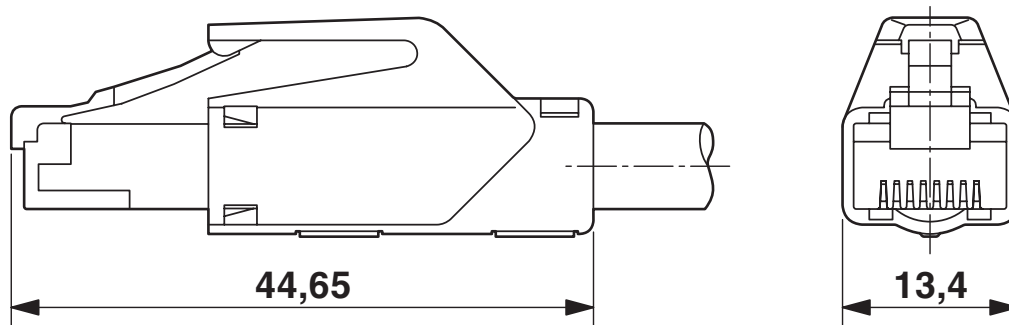
NBC-R4AC/5,0-94B/R4MCB-CO - Network cable



1017113

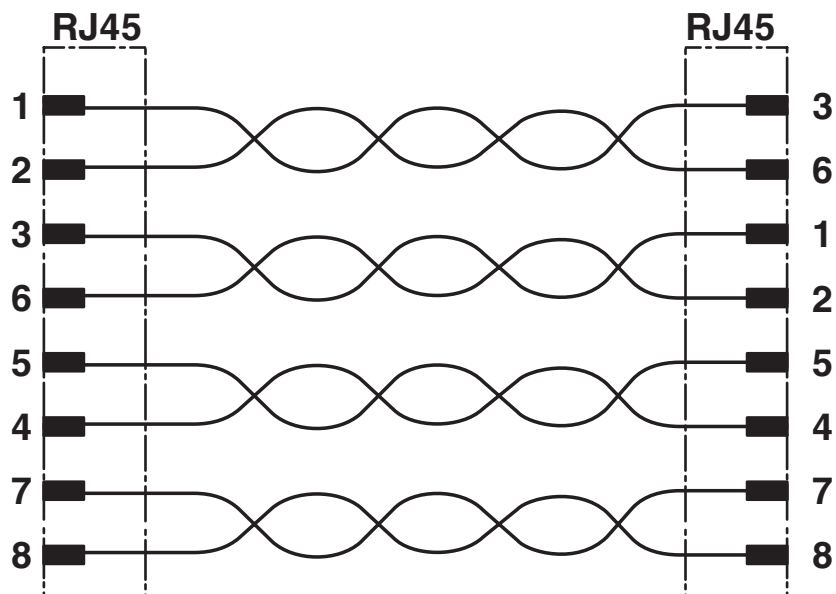
<https://www.phoenixcontact.com/us/products/1017113>

Dimensional drawing



RJ45 connector, IP20

Circuit diagram



NBC-R4AC/5,0-94B/R4MCB-CO - Network cable



1017113

<https://www.phoenixcontact.com/us/products/1017113>

Classifications

ECLASS

ECLASS-13.0	27060307
ECLASS-15.0	27060307

UNSPSC

UNSPSC 21.0	39121419
-------------	----------

NBC-R4AC/5,0-94B/R4MCB-CO - Network cable



1017113

<https://www.phoenixcontact.com/us/products/1017113>

Environmental product compliance

EU RoHS

Fulfills EU RoHS substance requirements	Yes, No exemptions
---	--------------------

China RoHS

Environment friendly use period (EFUP)	EFUP-E
	No hazardous substances above the limits

EU REACH SVHC

REACH candidate substance (CAS No.)	No substance above 0.1 wt%
-------------------------------------	----------------------------

Phoenix Contact 2026 © - all rights reserved
<https://www.phoenixcontact.com>

Phoenix Contact USA
586 Fulling Mill Road
Middletown, PA 17057, United States
(+717) 944-1300
info@phoenixcon.com