

ME MAX 22,5 GEH-R 3-3 YE - Housing half shell



1014533

<https://www.phoenixcontact.com/us/products/1014533>

Please be informed that the data shown in this PDF document is generated from our online catalog. Please find the complete data in the user documentation. Our general terms of use for downloads are valid.



DIN rail housing, Housing half shell (right), tall design, with vents, width: 16.3 mm, height: 99 mm, depth: 112.85 mm, color: yellow (similar RAL 1018), cross connection: DIN rail bus connector (optional)

Your advantages

- Easy installation
- Variety of connection technology

Commercial data

| | |
|--------------------------------------|--------------------------------|
| Item number | 1014533 |
| Packing unit | 50 pc |
| Minimum order quantity | 50 pc |
| Note | Made to order (non-returnable) |
| Product key | ACHABZ |
| GTIN | 4055626495217 |
| Weight per piece (including packing) | 27.67 g |
| Weight per piece (excluding packing) | 23.53 g |
| Country of origin | DE |

ME MAX 22,5 GEH-R 3-3 YE - Housing half shell



1014533

<https://www.phoenixcontact.com/us/products/1014533>

Technical data

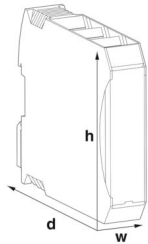
Notes

| | |
|----------------|---|
| Assembly note | Please observe the application note in the download area. |
| Recommendation | Material of contact pads for bus connector, galvanic gold (hard gold) |

Product properties

| | |
|------------------------------|---------------------|
| Product type | Housing half shells |
| Housing type | DIN rail housing |
| Housing type | Modular housings |
| Housing series | ME-MAX |
| Product family | ME MAX 22,5.. |
| Number of rows | 3 |
| Number (Connection openings) | 6 |
| Ventilation openings present | yes |

Dimensions

| | |
|---------------------------------|---|
| Dimensional drawing |  |
| Width | 16.3 mm |
| Height | 99 mm |
| Depth | 112.85 mm |
| Depth from top edge of DIN rail | 107 mm |

PCB design

| | |
|---------------|-------------------|
| PCB thickness | 1.4 mm ... 1.8 mm |
|---------------|-------------------|

Material specifications

| | |
|--|-------------------|
| Color (Housing half-shell) | yellow (RAL 1018) |
| Material Housing half-shell | PA |
| Flammability rating according to UL 94 | V0 |
| CTI according to IEC 60112 | 600 |

Environmental and real-life conditions

Ambient conditions

| | |
|---------------------------------|--|
| Max. IP code to attain | IP20 |
| Ambient temperature (operation) | -40 °C ... 105 °C (depending on power dissipation) |

ME MAX 22,5 GEH-R 3-3 YE - Housing half shell



1014533

<https://www.phoenixcontact.com/us/products/1014533>

| | |
|---|------------------|
| Ambient temperature (storage/transport) | -40 °C ... 55 °C |
| Ambient temperature (assembly) | -5 °C ... 100 °C |
| Relative humidity (storage/transport) | 80 % |

PCB data

| | |
|----------------------|-------------------|
| Type of PCB mount | Latching |
| Thickness of the PCB | 1.4 mm ... 1.8 mm |

Mounting

| | |
|---------------|--|
| Mounting type | Latching with housing half-shell or intermediate element |
|---------------|--|

ME MAX 22,5 GEH-R 3-3 YE - Housing half shell

1014533

<https://www.phoenixcontact.com/us/products/1014533>

Drawings

Dimensional drawing



Schematic figure for illustrating the item dimensions. The figure is not of the desired product. For further details, refer to the product drawings in the "Downloads" tab.

ME MAX 22,5 GEH-R 3-3 YE - Housing half shell



1014533

<https://www.phoenixcontact.com/us/products/1014533>

Approvals

To download certificates, visit the product detail page: <https://www.phoenixcontact.com/us/products/1014533>



UL Recognized

Approval ID: E240868

ME MAX 22,5 GEH-R 3-3 YE - Housing half shell



1014533

<https://www.phoenixcontact.com/us/products/1014533>

Classifications

ECLASS

| | |
|-------------|----------|
| ECLASS-13.0 | 27190602 |
| ECLASS-15.0 | 27190602 |

ETIM

| | |
|-----------|----------|
| ETIM 10.0 | EC002779 |
|-----------|----------|

UNSPSC

| | |
|-------------|----------|
| UNSPSC 21.0 | 31261500 |
|-------------|----------|

ME MAX 22,5 GEH-R 3-3 YE - Housing half shell



1014533

<https://www.phoenixcontact.com/us/products/1014533>

Environmental product compliance

EU RoHS

| | |
|---|--------------------|
| Fulfills EU RoHS substance requirements | Yes, No exemptions |
|---|--------------------|

China RoHS

| | |
|--|--|
| Environment friendly use period (EFUP) | EFUP-E |
| | No hazardous substances above the limits |

EU REACH SVHC

| | |
|-------------------------------------|----------------------------|
| REACH candidate substance (CAS No.) | No substance above 0.1 wt% |
|-------------------------------------|----------------------------|

EF3.1 Climate Change

| | |
|---------|---------------|
| CO2e kg | 0.159 kg CO2e |
|---------|---------------|

Phoenix Contact 2026 © - all rights reserved
<https://www.phoenixcontact.com>

Phoenix Contact USA
586 Fulling Mill Road
Middletown, PA 17057, United States
(+717) 944-1300
info@phoenixcon.com