

# ME MAX GEH-L 3-3 YE - Housing half shell



1014532

<https://www.phoenixcontact.com/us/products/1014532>

Please be informed that the data shown in this PDF document is generated from our online catalog. Please find the complete data in the user documentation. Our general terms of use for downloads are valid.



DIN rail housing, Housing half shell (left), tall design, with vents, width: 6.3 mm, height: 99 mm, depth: 112.85 mm, color: yellow (similar RAL 1018), cross connection: DIN rail bus connector (optional)

## Your advantages

- Easy installation
- Variety of connection technology

## Commercial data

Item number	1014532
Packing unit	50 pc
Minimum order quantity	50 pc
Note	Made to order (non-returnable)
Product key	ACHABZ
GTIN	4055626495200
Weight per piece (including packing)	19.329 g
Weight per piece (excluding packing)	19.329 g
Country of origin	DE

# ME MAX GEH-L 3-3 YE - Housing half shell

1014532

<https://www.phoenixcontact.com/us/products/1014532>

## Technical data

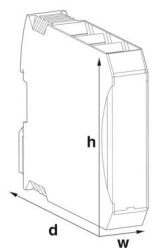
### Notes

Assembly note	Please observe the application note in the download area.
Recommendation	Material of contact pads for bus connector, galvanic gold (hard gold)

### Product properties

Product type	Housing half shells
Housing type	DIN rail housing
Housing type	Modular housings
Housing series	ME-MAX
Product family	ME MAX.. 3-3
Number (Connection openings)	6
Ventilation openings present	yes

### Dimensions

Dimensional drawing	
Width	6.3 mm
Height	99 mm
Depth	112.85 mm
Depth from top edge of DIN rail	107 mm

### PCB design

PCB thickness	1.4 mm ... 1.8 mm
---------------	-------------------

### Material specifications

Color (Housing half-shell)	yellow (RAL 1018)
Material Housing half-shell	PA
Flammability rating according to UL 94	V0
CTI according to IEC 60112	600

### Environmental and real-life conditions

#### Ambient conditions

Max. IP code to attain	IP20
Ambient temperature (operation)	-40 °C ... 105 °C (depending on power dissipation)
Ambient temperature (storage/transport)	-40 °C ... 55 °C

# ME MAX GEH-L 3-3 YE - Housing half shell



1014532

<https://www.phoenixcontact.com/us/products/1014532>

Ambient temperature (assembly)	-5 °C ... 100 °C
Relative humidity (storage/transport)	80 %

## PCB data

Type of PCB mount	Latching
Thickness of the PCB	1.4 mm ... 1.8 mm

## Mounting

Mounting type	Latching with housing half-shell or intermediate element
---------------	--

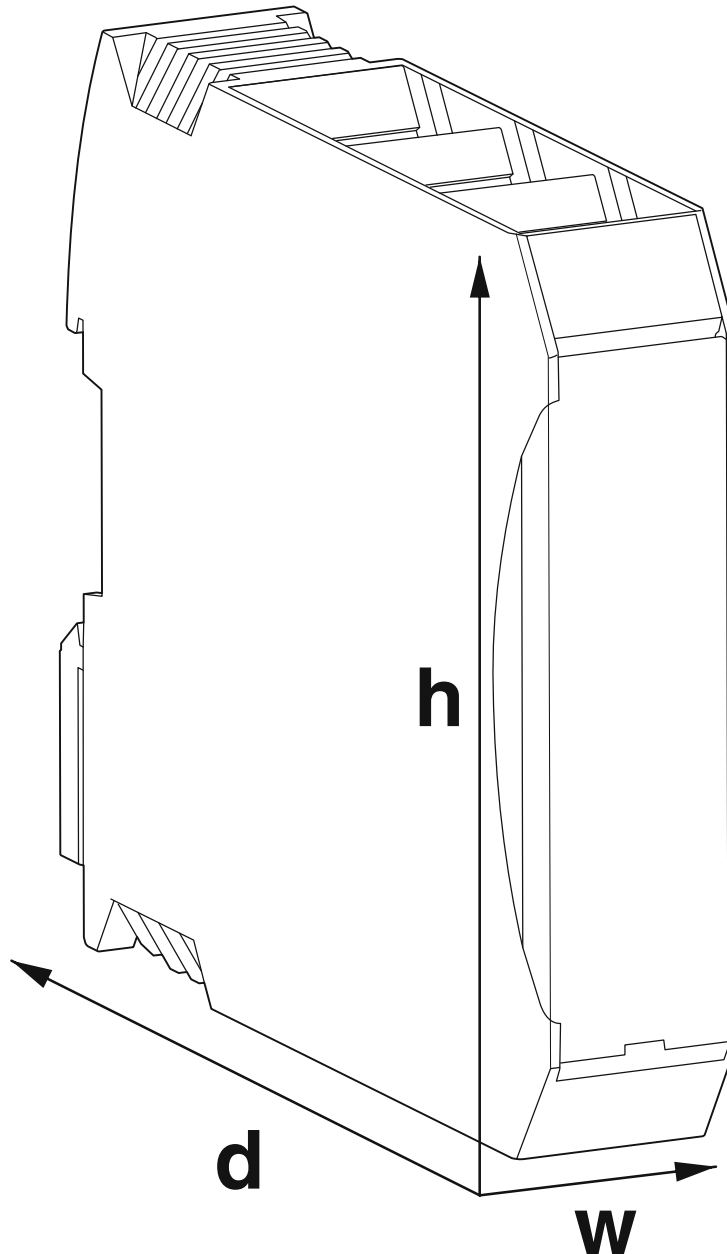
# ME MAX GEH-L 3-3 YE - Housing half shell

1014532

<https://www.phoenixcontact.com/us/products/1014532>

## Drawings

Dimensional drawing



Schematic figure for illustrating the item dimensions. The figure is not of the desired product. For further details, refer to the product drawings in the "Downloads" tab.

# ME MAX GEH-L 3-3 YE - Housing half shell



1014532

<https://www.phoenixcontact.com/us/products/1014532>

## Approvals

To download certificates, visit the product detail page: <https://www.phoenixcontact.com/us/products/1014532>



**UL Recognized**

Approval ID: E240868

# ME MAX GEH-L 3-3 YE - Housing half shell



1014532

<https://www.phoenixcontact.com/us/products/1014532>

## Classifications

### ECLASS

ECLASS-13.0	27190602
ECLASS-15.0	27190602

### ETIM

ETIM 10.0	EC002779
-----------	----------

### UNSPSC

UNSPSC 21.0	31261500
-------------	----------

# ME MAX GEH-L 3-3 YE - Housing half shell



1014532

<https://www.phoenixcontact.com/us/products/1014532>

## Environmental product compliance

### EU RoHS

Fulfills EU RoHS substance requirements	Yes, No exemptions
---	--------------------

### China RoHS

Environment friendly use period (EFUP)	EFUP-E
	No hazardous substances above the limits

### EU REACH SVHC

REACH candidate substance (CAS No.)	No substance above 0.1 wt%
-------------------------------------	----------------------------

### EF3.1 Climate Change

CO2e kg	0.123 kg CO2e
---------	---------------

Phoenix Contact 2026 © - all rights reserved  
<https://www.phoenixcontact.com>

Phoenix Contact USA  
586 Fulling Mill Road  
Middletown, PA 17057, United States  
(+717) 944-1300  
[info@phoenixcon.com](mailto:info@phoenixcon.com)