

EV-T2G3P-3AC32A-3,0M6,0ESBK01 - AC charging cable



1013994

<https://www.phoenixcontact.com/us/products/1013994>

Please be informed that the data shown in this PDF document is generated from our online catalog. Please find the complete data in the user documentation. Our general terms of use for downloads are valid.



CHARX connect comfort, Type 2, AC charging cable, with infrastructure charging plug and free cable end, cable: 3 m, black, straight, with protective cap, housing: black, gray, PHOENIX CONTACT logo, IEC 62196-2, for charging electric vehicles (EV) with alternating current (AC)

Product description

AC charging cable with Infrastructure Plug and open cable end for charging electric vehicles (EV) with alternating current (AC), compatible with type 2 Infrastructure Socket Outlets at charging stations for E-Mobility (EVSE)

Your advantages

- Complete product range
- Convenient handling due to the ergonomic, triple award-winning design
- Available with your logo on request - for consistent branding of your charging station
- Longitudinal water tightness reliably prevents water ingress
- Developed and produced in accordance with the IATF 16949 automotive standard and ISO 9001
- Tested in accordance with automotive standards LV124, LV214, and LV215-2
- Tested in accordance with EV Ready 37 requirements
- Laser-marked mating face in accordance with DIN EN 17186

Commercial data

Item number	1013994
Packing unit	1 pc
Minimum order quantity	1 pc
Sales key	EM01
Product key	XWBEBD
GTIN	4055626494289
Weight per piece (including packing)	1,893 g
Weight per piece (excluding packing)	1,634 g
Customs tariff number	85444290
Country of origin	PL

EV-T2G3P-3AC32A-3,0M6,0ESBK01 - AC charging cable



1013994

<https://www.phoenixcontact.com/us/products/1013994>

Technical data

Product properties

Product type	AC charging cable
Product family	CHARX connect comfort
Type	AC charging cable with infrastructure charging plug and free cable end
Design	with protective cap
Charging standard	Type 2
Charging mode	Mode 3
Affixed logo	PHOENIX CONTACT logo
Customer variations	On request

Electrical properties

Charging power and current (AC charging, 3-phase)

Type of charging current	AC 3-phase
Charging current	32 A AC (3-phase)
Charging power	26.6 kW (3-phase)
Operating voltage	typ. 400 V AC

Pin assignment

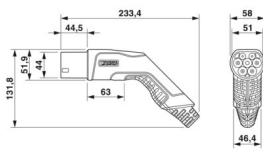
Note on the connection method	Crimp connection, cannot be disconnected
-------------------------------	--

Pin assignment

Note on the connection method	Crimp connection, cannot be disconnected
Type of signal transmission	Pulse width modulation

Dimensions

Vehicle charging connector

Dimensional drawing	 Infrastructure plug
Width	58 mm
Height	131.8 mm
Depth	233.4 mm

Material specifications

Color (Housing)	black (9005)
Color (Handle area)	gray (7042)

EV-T2G3P-3AC32A-3,0M6,0ESBK01 - AC charging cable



1013994

<https://www.phoenixcontact.com/us/products/1013994>

Color (Mating face)	black (9005)
Color (Protective cap)	black (9005)
Color (Cable)	black (9005)
Material (Cable outer sheath)	TPE-U
Material (Infrastructure charging plug)	Plastic
Material (Contact surface)	Silver
Note	The color appearance and gloss level of the charging cable may vary.

Cable/line

Cable length	3 m
Wiring standards/regulations	prEN 50620/DIN EN 50620
Wiring certifications	VDE
Cable weight	max. 505.00 kg/km
Cable type	Class 5
Cable type	straight
Cable structure	5 x 6.0 mm ² + 1 x 0.5 mm ²
External cable diameter	17.00 mm ±0.4 mm
Outer sheath, material	TPE-U
Stripping length of the sheath	70 mm ±2 mm
Stripping length	70 mm ±2 mm
Cable resistance	≤ 0.0033 Ω/m (based on a power core, at an ambient temperature of 20°C)
Bending radius	min. 127.5 mm (7.5x diameter)

Environmental and real-life conditions

Ambient conditions

Degree of protection (Infrastructure charging plug)	IP44 (plugged in; when plugged in and ready to operate, the degree of protection is only ensued if both plug-in components are original products from Phoenix Contact or suitable standard-compliant products)
Degree of protection (Protective cap)	IP54
Ambient temperature (operation)	-30 °C ... 50 °C
Ambient temperature (storage/transport)	-40 °C ... 80 °C
Altitude	5000 m (above sea level)

Standards and regulations

Standards/specifications	IEC 62196-2
Note	Compliant with AFIR - EU 2025/656

EV-T2G3P-3AC32A-3,0M6,0ESBK01 - AC charging cable

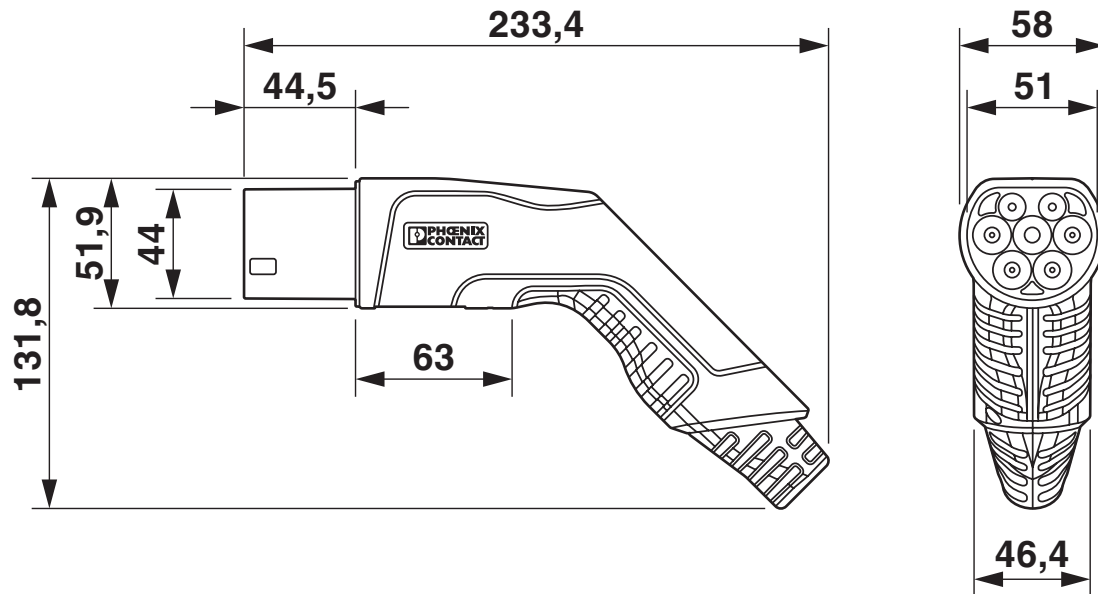


1013994

<https://www.phoenixcontact.com/us/products/1013994>

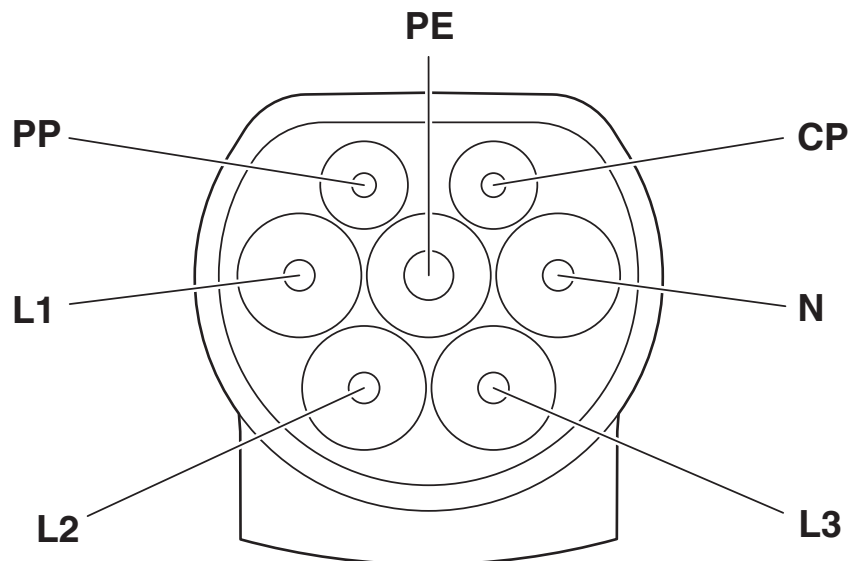
Drawings

Dimensional drawing



Infrastructure plug

Connection diagram



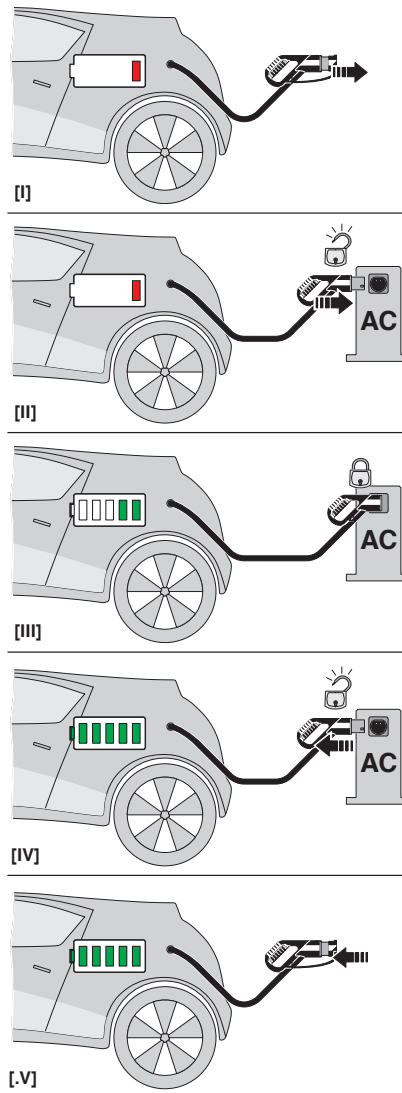
Pin assignment of Infrastructure Plug

EV-T2G3P-3AC32A-3,0M6,0ESBK01 - AC charging cable

1013994

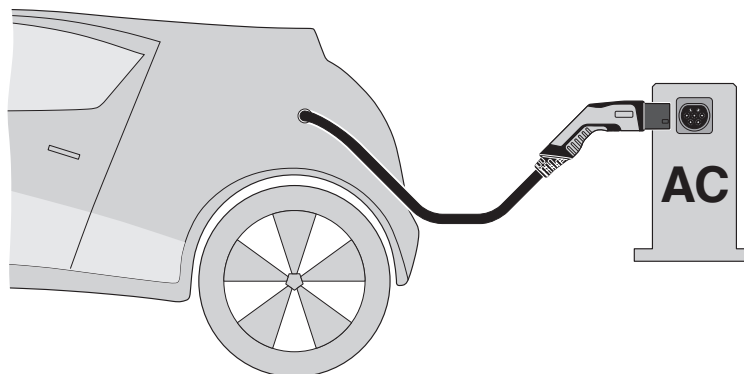
<https://www.phoenixcontact.com/us/products/1013994>

Schematic diagram



Operating instructions

Schematic diagram



Terminology definition

EV-T2G3P-3AC32A-3,0M6,0ESBK01 - AC charging cable




1013994

<https://www.phoenixcontact.com/us/products/1013994>

Approvals

To download certificates, visit the product detail page: <https://www.phoenixcontact.com/us/products/1013994>

 IECEE CB Scheme Approval ID: DE1-60744		Nominal voltage U_N	Nominal current I_N	Cross section AWG	Cross section mm^2
keine		480 V	32 A	-	-

EV-T2G3P-3AC32A-3,0M6,0ESBK01 - AC charging cable



1013994

<https://www.phoenixcontact.com/us/products/1013994>

Classifications

ECLASS

ECLASS-13.0	27144705
ECLASS-15.0	27144705

ETIM

ETIM 10.0	EC002897
-----------	----------

UNSPSC

UNSPSC 21.0	39121500
-------------	----------

EV-T2G3P-3AC32A-3,0M6,0ESBK01 - AC charging cable



1013994

<https://www.phoenixcontact.com/us/products/1013994>

Environmental product compliance

EU RoHS

Fulfills EU RoHS substance requirements	Yes
Exemption	6(c)

China RoHS

Environment friendly use period (EFUP)	EFUP-50
	An article-related China RoHS declaration table can be found in the download area for the respective article under "Manufacturer declaration". For all articles with EFUP-E, no China RoHS declaration table issued and required.

EU REACH SVHC

REACH candidate substance (CAS No.)	Lead(CAS: 7439-92-1)
SCIP	2b3c3ef1-eb35-42d0-8733-6a10e2494f8b

EF3.1 Climate Change

CO2e kg	38.53 kg CO2e
---------	---------------

Phoenix Contact 2026 © - all rights reserved
<https://www.phoenixcontact.com>

Phoenix Contact USA
586 Fulling Mill Road
Middletown, PA 17057, United States
(+717) 944-1300
info@phoenixcon.com