

SAC-4P-M12MRB/0,4-PVC SH VA - Sensor/actuator cable



1013623

<https://www.phoenixcontact.com/us/products/1013623>

Please be informed that the data shown in this PDF document is generated from our online catalog. Please find the complete data in the user documentation. Our general terms of use for downloads are valid.



Sensor/actuator cable, 4-position, PVC, black RAL 9005, shielded, Plug angled M12, coding: B, on free cable end, cable length: 0.4 m

Commercial data

Item number	1013623
Packing unit	1 pc
Minimum order quantity	100 pc
Note	Made to order (non-returnable)
Product key	AF1CJA
GTIN	4055626493022
Weight per piece (including packing)	38.6 g
Weight per piece (excluding packing)	35.5 g
Country of origin	PL

SAC-4P-M12MRB/0,4-PVC SH VA - Sensor/actuator cable



1013623

<https://www.phoenixcontact.com/us/products/1013623>

Technical data

Product properties

Product type	Sensor/actuator cable
Application	Standard
Number of positions	4
No. of cable outlets	1
Shielded	yes
Coding	B

Insulation characteristics

Overvoltage category	II
Degree of pollution	3

Material specifications

Flammability rating according to UL 94	HB
Material of grip body	TPU, hardly inflammable, self-extinguishing
Contact material	CuSn
Contact surface material	Ni/Au
Contact carrier material	TPU GF
Material for screw connection	V4A

Electrical properties

Insulation resistance	$\geq 100 \text{ M}\Omega$
Nominal voltage U_N	48 V AC
	60 V DC
Nominal current I_N	4 A

Mechanical properties

Mechanical data

Insertion/withdrawal cycles	≥ 100
-----------------------------	------------

Signaling

Status display	no
Status display present	no

Connector

Connection 1

Type	Plug angled M12
Coding type	B

Connection 2

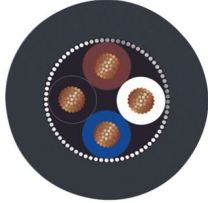
Type	free cable end
------	----------------

SAC-4P-M12MRB/0,4-PVC SH VA - Sensor/actuator cable

1013623

<https://www.phoenixcontact.com/us/products/1013623>

Cable/line

Cable length	0.4 m
PVC black [PVC]	
Dimensional drawing	
Cable weight	52 kg/km
Number of positions	4
Shielded	yes
Cable type	PVC black [PVC]
Conductor structure signal line	42x 0.10 mm
AWG signal line	22
Conductor cross-section	4x 0.34 mm ² (Signal line)
Wire diameter incl. insulation	1.4 mm ±0.02 mm
External cable diameter	5.90 mm ±0.2 mm
Outer sheath, material	PVC
External sheath, color	black RAL 9005
Conductor material	Bare Cu litz wires
Material wire insulation	PVC
Single wire, color	brown, white, blue, black
Thickness, insulation	≥ 0.23 mm (Core insulation) ≥ 0.76 mm (Outer cable sheath)
Overall twist	4 wires, twisted
Optical shield covering	85 %
Max. conductor resistance	max. 58 Ω/km (at 20 °C)
Insulation resistance	≥ 100 MΩ*km (at 20 °C)
Nominal voltage, cable	≤ 300 V
Test voltage	≥ 3000 V
Minimum bending radius, fixed installation	5 x D
Minimum bending radius, flexible installation	10 x D
Smallest bending radius, fixed installation	30 mm
Smallest bending radius, movable installation	59 mm
Flame resistance	As per UL-Style 2464
Resistance to oil	in accordance with DIN EN 60811-2-1
Special properties	Free of substances which would hinder coating with paint or varnish Silicone-free
Ambient temperature (operation)	-25 °C ... 80 °C (cable, fixed installation)

SAC-4P-M12MRB/0,4-PVC SH VA - Sensor/actuator cable



1013623

<https://www.phoenixcontact.com/us/products/1013623>

-5 °C ... 80 °C (Cable, flexible installation)
--

Environmental and real-life conditions

Ambient conditions

Degree of protection	IP65
	IP67

Standards and regulations

Standard designation	M12 connector
Standards/specifications	IEC 61076-2-101

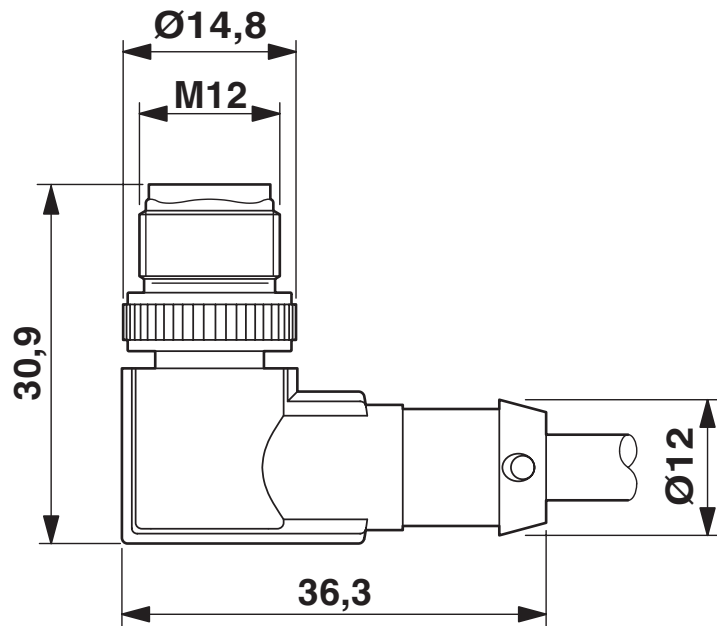
SAC-4P-M12MRB/0,4-PVC SH VA - Sensor/actuator cable

1013623

<https://www.phoenixcontact.com/us/products/1013623>

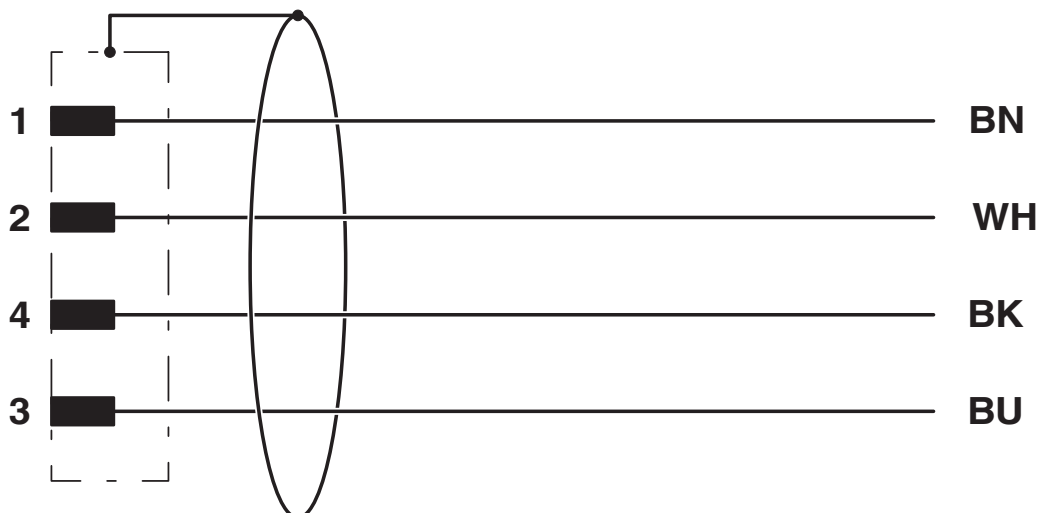
Drawings

Dimensional drawing



M12 x 1 male plug, angled, shielded

Circuit diagram



Contact assignment of the M12 plug

SAC-4P-M12MRB/0,4-PVC SH VA - Sensor/actuator cable



1013623

<https://www.phoenixcontact.com/us/products/1013623>

Classifications

ECLASS

ECLASS-13.0	27060311
ECLASS-15.0	27060311

UNSPSC

UNSPSC 21.0	26121600
-------------	----------

SAC-4P-M12MRB/0,4-PVC SH VA - Sensor/actuator cable



1013623

<https://www.phoenixcontact.com/us/products/1013623>

Environmental product compliance

EU RoHS

Fulfills EU RoHS substance requirements	Yes, No exemptions
---	--------------------

China RoHS

Environment friendly use period (EFUP)	EFUP-E
	No hazardous substances above the limits

EU REACH SVHC

REACH candidate substance (CAS No.)	No substance above 0.1 wt%
-------------------------------------	----------------------------

Phoenix Contact 2026 © - all rights reserved
<https://www.phoenixcontact.com>

Phoenix Contact USA
586 Fulling Mill Road
Middletown, PA 17057, United States
(+717) 944-1300
info@phoenixcon.com