

# HC-COM-CHWS-1TGM25-PL-BK - Housing



1012521

<https://www.phoenixcontact.com/us/products/1012521>

Please be informed that the data shown in this PDF document is generated from our online catalog. Please find the complete data in the user documentation. Our general terms of use for downloads are valid.



Coupling housings COM, with single locking latch, material: PA, cable outlets: 1, straight, 1x M25, height: 68 mm, cable gland: with, Standard

## Your advantages

- Lower costs than metal version
- Low weight
- Lower risk of condensation

## Commercial data

Item number	1012521
Packing unit	1 pc
Minimum order quantity	1 pc
Sales key	BF59
Product key	AF7APO
GTIN	4055626488943
Weight per piece (including packing)	56.7 g
Weight per piece (excluding packing)	56.6 g
Customs tariff number	85389099
Country of origin	CN

# HC-COM-CHWS-1TGM25-PL-BK - Housing



1012521

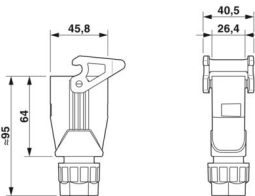
<https://www.phoenixcontact.com/us/products/1012521>

## Technical data

### Product properties

Product type	Housing with locking latch
Housing type	Coupling housings
Product family	HC-COM
Application	Standard
Type	COM
No. of cable outlets	1
Type of the screw connection	1x M25
Cable outlet	straight
Pg screw connection	with

### Dimensions

Dimensional drawing	
Height	68 mm

### Material specifications

Flammability rating according to UL 94	V0 (Housing) V0 (Interlock)
Seal material	NBR
Housing material	PA
Locking latch material	PA

### Mechanical properties

#### Mechanical data

Type of the screw connection	1x M25
Locking type	Latch

### Cable/line

External cable diameter	10 mm ... 16 mm
-------------------------	-----------------

### Connection data

External cable diameter	10 mm ... 16 mm
-------------------------	-----------------

### Environmental and real-life conditions

#### Ambient conditions

# HC-COM-CHWS-1TGM25-PL-BK - Housing



1012521

<https://www.phoenixcontact.com/us/products/1012521>

Degree of protection	IP66
Impact strength	IK06
Ambient temperature (operation)	-40 °C ... 125 °C

# HC-COM-CHWS-1TGM25-PL-BK - Housing

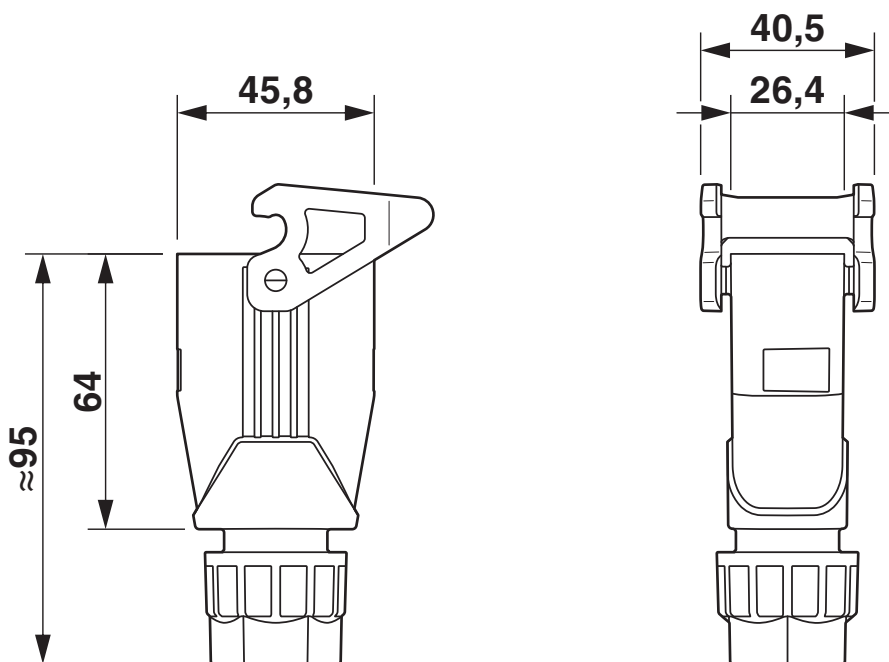
1012521

<https://www.phoenixcontact.com/us/products/1012521>



## Drawings

Dimensional drawing



# HC-COM-CHWS-1TGM25-PL-BK - Housing



1012521

<https://www.phoenixcontact.com/us/products/1012521>

## Approvals

To download certificates, visit the product detail page: <https://www.phoenixcontact.com/us/products/1012521>



**cUL Recognized**  
Approval ID: E255026



**UL Recognized**  
Approval ID: E255026

# HC-COM-CHWS-1TGM25-PL-BK - Housing



1012521

<https://www.phoenixcontact.com/us/products/1012521>

## Classifications

### ECLASS

ECLASS-13.0	27440202
ECLASS-15.0	27440202

### ETIM

ETIM 10.0	EC000437
-----------	----------

### UNSPSC

UNSPSC 21.0	31261500
-------------	----------

# HC-COM-CHWS-1TGM25-PL-BK - Housing



1012521

<https://www.phoenixcontact.com/us/products/1012521>

## Environmental product compliance

### EU RoHS

Fulfills EU RoHS substance requirements	Yes, No exemptions
---	--------------------

### China RoHS

Environment friendly use period (EFUP)	EFUP-E
	No hazardous substances above the limits

### EU REACH SVHC

REACH candidate substance (CAS No.)	No substance above 0.1 wt%
-------------------------------------	----------------------------

Phoenix Contact 2026 © - all rights reserved  
<https://www.phoenixcontact.com>

Phoenix Contact USA  
586 Fulling Mill Road  
Middletown, PA 17057, United States  
(+717) 944-1300  
[info@phoenixcon.com](mailto:info@phoenixcon.com)