

HC-COM-BAWS-PL-BK - Housing



1012433

<https://www.phoenixcontact.com/us/products/1012433>

Please be informed that the data shown in this PDF document is generated from our online catalog. Please find the complete data in the user documentation. Our general terms of use for downloads are valid.



Panel mounting base COM, with single locking latch, material: PA, height: 36 mm, cable gland: none, Standard

Your advantages

- Lower costs than metal version
- Low weight
- Lower risk of condensation

Commercial data

Item number	1012433
Packing unit	1 pc
Minimum order quantity	1 pc
Sales key	BF59
Product key	AF7APO
GTIN	4055626488592
Weight per piece (including packing)	43.7 g
Weight per piece (excluding packing)	43 g
Customs tariff number	85389099
Country of origin	CN

HC-COM-BAWS-PL-BK - Housing

1012433

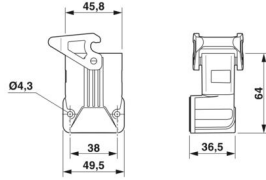
<https://www.phoenixcontact.com/us/products/1012433>

Technical data

Product properties

Product type	Housing with locking latch
Housing type	Panel mounting base
Product family	HC-COM
Application	Standard
Type	COM
Pg screw connection	none

Dimensions

Dimensional drawing	
Width	49.5 mm
Height	36 mm
Length	64 mm
Hole diameter	3.5 mm

Installation dimensions

Width of the assembly cutout	23.5 mm
Length of the assembly cutout	25.5 mm

Material specifications

Flammability rating according to UL 94	V0 (Housing) V0 (Interlock)
Seal material	NBR
Housing material	PA
Locking latch material	PA

Mechanical properties

Mechanical data

Locking type	Latch
--------------	-------

Connection data

Tightening torque	0.8 Nm ... 1.2 Nm (for M4 mounting screws on the surface-mount housing)
-------------------	---

Environmental and real-life conditions

Ambient conditions

HC-COM-BAWS-PL-BK - Housing



1012433

<https://www.phoenixcontact.com/us/products/1012433>

Degree of protection	IP66
Impact strength	IK06
Ambient temperature (operation)	-40 °C ... 125 °C

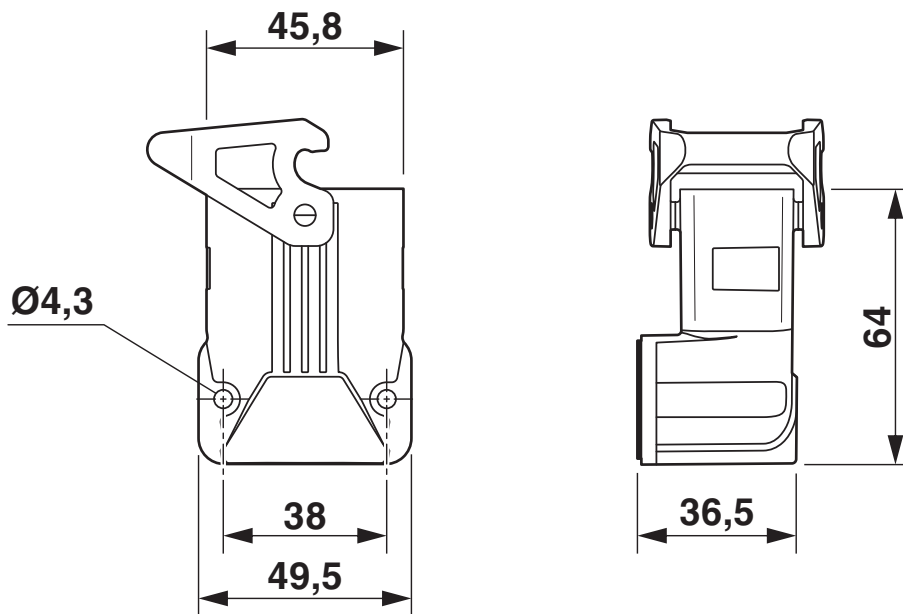
HC-COM-BAWS-PL-BK - Housing

1012433

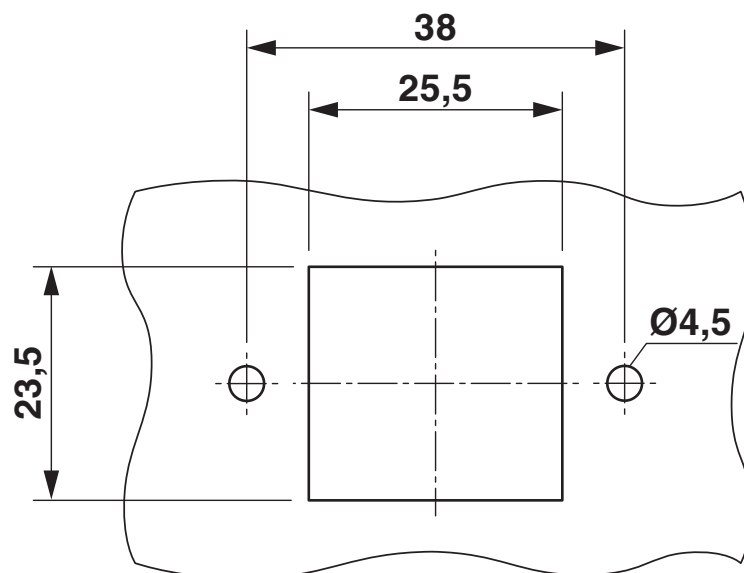
<https://www.phoenixcontact.com/us/products/1012433>

Drawings

Dimensional drawing



Dimensional drawing



Mounting cutout

HC-COM-BAWS-PL-BK - Housing



1012433

<https://www.phoenixcontact.com/us/products/1012433>

Classifications

ECLASS

ECLASS-13.0	27440202
ECLASS-15.0	27440202

ETIM

ETIM 10.0	EC000437
-----------	----------

UNSPSC

UNSPSC 21.0	31261500
-------------	----------

HC-COM-BAWS-PL-BK - Housing



1012433

<https://www.phoenixcontact.com/us/products/1012433>

Environmental product compliance

EU RoHS

Fulfills EU RoHS substance requirements	Yes, No exemptions
---	--------------------

China RoHS

Environment friendly use period (EFUP)	EFUP-E
	No hazardous substances above the limits

EU REACH SVHC

REACH candidate substance (CAS No.)	No substance above 0.1 wt%
-------------------------------------	----------------------------

Phoenix Contact 2026 © - all rights reserved
<https://www.phoenixcontact.com>

Phoenix Contact USA
586 Fulling Mill Road
Middletown, PA 17057, United States
(+717) 944-1300
info@phoenixcon.com