

SAC-3P-M8FY/2X10,0-PVC/M12MS - Sensor/actuator cable



1012238

<https://www.phoenixcontact.com/us/products/1012238>

Please be informed that the data shown in this PDF document is generated from our online catalog. Please find the complete data in the user documentation. Our general terms of use for downloads are valid.



Sensor/actuator cable, 3-position, PUR halogen-free, black-gray RAL 7021, Socket straight M8, coding: A, on Plug straight M12, coding: A and Plug straight M12, coding: A, cable length: 10 m

Commercial data

Item number	1012238
Packing unit	1 pc
Minimum order quantity	50 pc
Product key	AF1BOA
GTIN	4055626489421
Weight per piece (including packing)	594 g
Weight per piece (excluding packing)	594 g
Country of origin	PL

SAC-3P-M8FY/2X10,0-PVC/M12MS - Sensor/actuator cable



1012238

<https://www.phoenixcontact.com/us/products/1012238>

Technical data

Product properties

Product type	Distributor with cable
Application	Standard
Number of positions	3
No. of cable outlets	2
Shielded	no
Coding	A

Insulation characteristics

Overvoltage category	II
Degree of pollution	3

Material specifications

Flammability rating according to UL 94	HB
Seal material	NBR
Material of grip body	TPU, hardly inflammable, self-extinguishing
Contact material	CuSn
Contact surface material	Ni/Au
Contact carrier material	TPU GF
Material for screw connection	Zinc die-cast, nickel-plated

Electrical properties

Insulation resistance	$\geq 100 \text{ M}\Omega$
Nominal voltage U_N	48 V AC
	60 V DC
Nominal current I_N	4 A

Signaling

Status display	no
Status display present	no

Connector

Connection 1

Type	Socket straight M8
Coding type	A

Connection 2

Type	Plug straight M12
Coding type	A

Connection 3

Type	Plug straight M12
Coding type	A

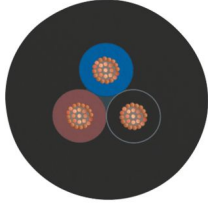
SAC-3P-M8FY/2X10,0-PVC/M12MS - Sensor/actuator cable



1012238

<https://www.phoenixcontact.com/us/products/1012238>

Cable/line

Cable length	10 m
PUR halogen-free black [PUR]	
Dimensional drawing	
Cable weight	18 kg/km
UL AWM Style	20549 / 10493 (80°C/300 V)
Number of positions	3
Shielded	no
Cable type	PUR halogen-free black [PUR]
Conductor structure signal line	32x 0.10 mm
AWG signal line	24
Conductor cross-section	3x 0.25 mm ² (Signal line)
Wire diameter incl. insulation	1.17 mm ±0.02 mm
External cable diameter	3.60 mm ±0.15 mm
Outer sheath, material	PUR
External sheath, color	black-gray RAL 7021
Conductor material	Bare Cu litz wires
Material wire insulation	PP
Single wire, color	brown, blue, black
Thickness, insulation	≥ 0.21 mm (Core insulation)
Thickness, outer sheath	approx. 0.50 mm
Overall twist	3 wires, twisted
Length of twist, overall twist	40 mm
Max. conductor resistance	≤ 78 Ω/km (at 20 °C)
Insulation resistance	≥ 100 GΩ*km (at 20 °C)
Nominal voltage, cable	≤ 300 V
Test voltage	≥ 3000 V
Smallest bending radius, fixed installation	18 mm
Smallest bending radius, movable installation	36 mm
Dynamic load capacity (bending)	Max. bending cycles: 10000000, Bending radius: 44 mm, Traversing path: 10 m, Traversing rate: 3 m/s, Acceleration: 10 m/s ²
Dynamic load capacity (torsion)	Torsion: ±180 °/m, Torsion cycles: ≥5000000, Torsional frequency: 35 cycles/min.
Halogen-free	in accordance with DIN VDE 0472 part 815
Flame resistance	in accordance with UL 758/1581 FT2

SAC-3P-M8FY/2X10,0-PVC/M12MS - Sensor/actuator cable



1012238

<https://www.phoenixcontact.com/us/products/1012238>

	DIN EN 60332-2-2 (20 s)
Resistance to oil	in accordance with DIN EN 60811-2-1
Other resistance	hydrolysis and microbe resistant
	Highly resistant to acids, alkaline solutions and solvents
	Resistant to salt water
	partly UV-resistant (in accordance with DIN EN ISO 4892-2-A)
Special properties	Flexible cable conduit capable
	Silicone-free
	Free of substances which would hinder coating with paint or varnish
Ambient temperature (operation)	-40 °C ... 80 °C (cable, fixed installation)
	-25 °C ... 80 °C (Cable, flexible installation)

Environmental and real-life conditions

Ambient conditions

Degree of protection	IP65
	IP67
Ambient temperature (operation) (male connector/female connector)	-25 °C ... 90 °C (Plug / socket)

Standards and regulations

M8

Standard designation	M8 connector
Standards/specifications	IEC 61076-2-104

SAC-3P-M8FY/2X10,0-PVC/M12MS - Sensor/actuator cable



1012238

<https://www.phoenixcontact.com/us/products/1012238>

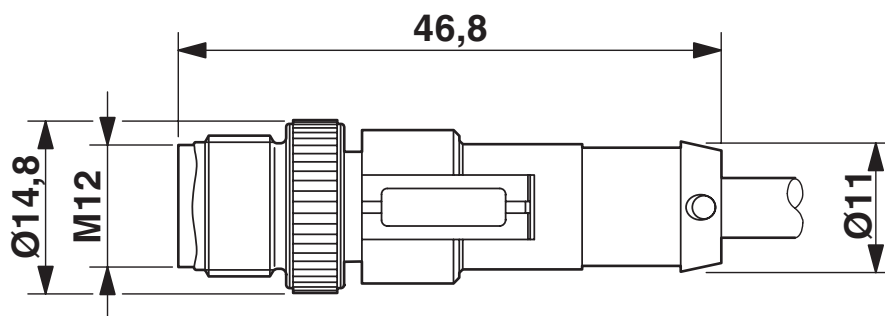
Drawings

Dimensional drawing



Plug, M12 x 1, straight

Dimensional drawing

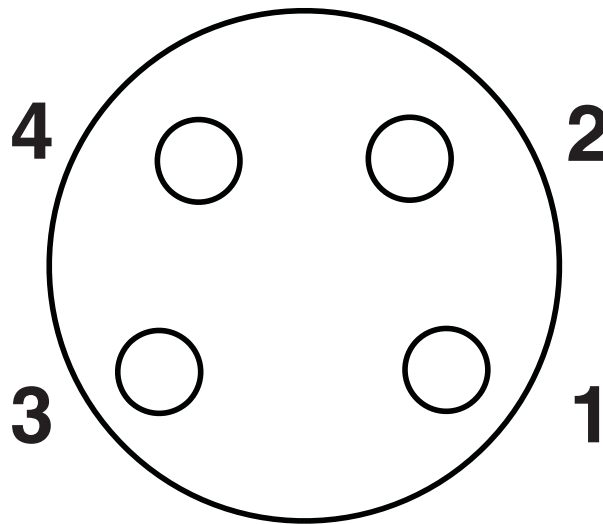


Plug, M12 x 1, straight

1012238

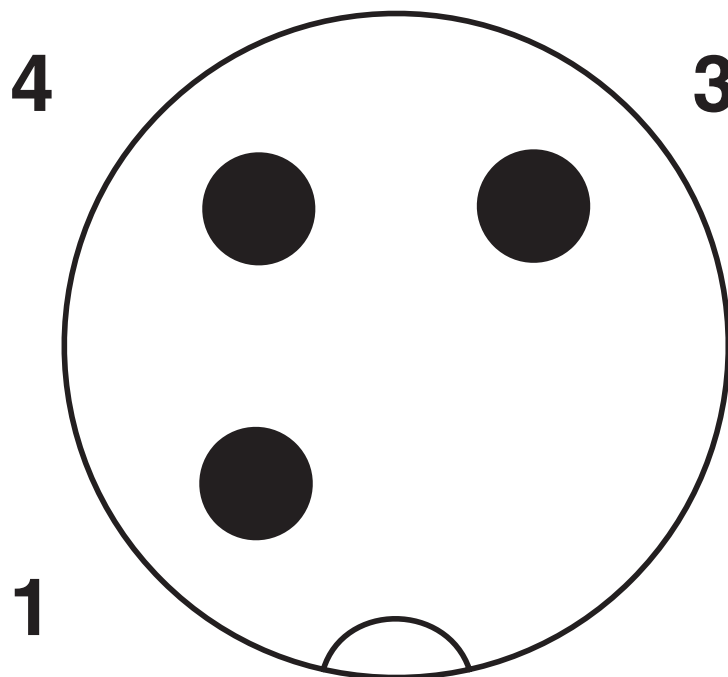
<https://www.phoenixcontact.com/us/products/1012238>

Schematic diagram



Pin assignment M8 socket, 4-pos., view female side

Schematic diagram



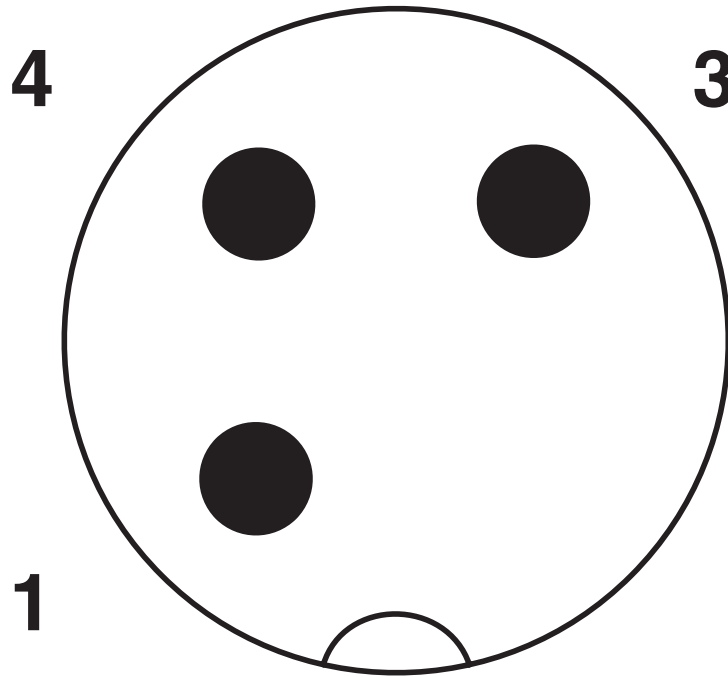
Pin assignment M12 plug, 3-pos., A-coded, view male side

SAC-3P-M8FY/2X10,0-PVC/M12MS - Sensor/actuator cable

1012238

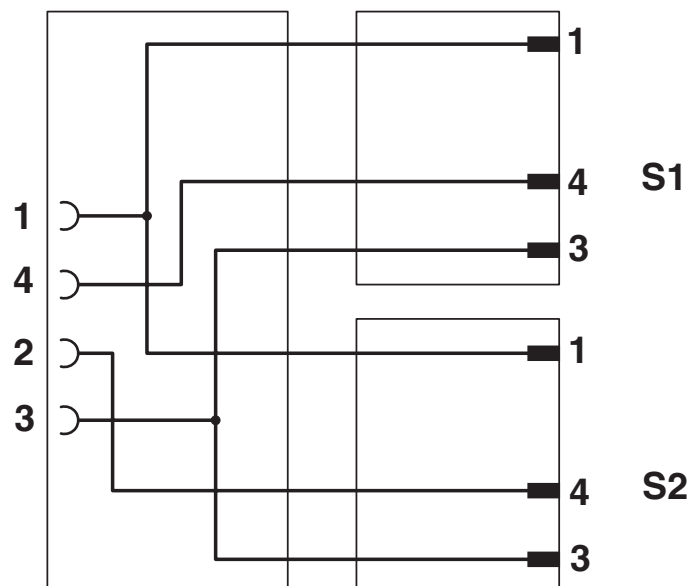
<https://www.phoenixcontact.com/us/products/1012238>

Schematic diagram



Pin assignment M12 plug, 3-pos., A-coded, view male side

Circuit diagram



Contact assignment of the M8 socket and the M12 connector

SAC-3P-M8FY/2X10,0-PVC/M12MS - Sensor/actuator cable



1012238

<https://www.phoenixcontact.com/us/products/1012238>

Classifications

ECLASS

ECLASS-13.0	27060313
ECLASS-15.0	27060313

UNSPSC

UNSPSC 21.0	26121600
-------------	----------

SAC-3P-M8FY/2X10,0-PVC/M12MS - Sensor/actuator cable



1012238

<https://www.phoenixcontact.com/us/products/1012238>

Environmental product compliance

EU RoHS

Fulfills EU RoHS substance requirements	Yes, No exemptions
---	--------------------

China RoHS

Environment friendly use period (EFUP)	EFUP-E
	No hazardous substances above the limits

EU REACH SVHC

REACH candidate substance (CAS No.)	No substance above 0.1 wt%
-------------------------------------	----------------------------

Phoenix Contact 2026 © - all rights reserved
<https://www.phoenixcontact.com>

Phoenix Contact USA
586 Fulling Mill Road
Middletown, PA 17057, United States
(+717) 944-1300
info@phoenixcon.com