

TC MGUARD RS4000 4G VZW VPN - Router



1010461

<https://www.phoenixcontact.com/us/products/1010461>

Please be informed that the data shown in this PDF document is generated from our online catalog. Please find the complete data in the user documentation. Our general terms of use for downloads are valid.



Security appliance, version for Verizon Wireless (US), WAN and 4G mobile network interface, SD card slot, 10 VPN tunnels, intelligent firewall with full scope of functions, router with NAT/1:1 NAT, optional CIFS Integrity Monitoring, 4 port Managed Switch

Product description

The TC MGUARD... security appliances are industrial mobile network routers with mGuard technology. As such, the routers offer a remote maintenance infrastructure for the secure connection of machines and systems via the Internet. A high-speed mobile network interface and a 4-port switch are integrated into a compact metal housing. Secure remote communication on a global scale takes place via 4G LTE as well as UMTS and CDMA networks. With the help of an SD card as a configuration memory, the devices can be quickly and easily started up or replaced. The devices have a buffered realtime clock and Trusted Platform Module (TPM) for secure key generation and management.

Your advantages

- Integrated 4-port switch
- Maximum security with IPsec protocol on Layer 3
- Web-based management
- Replaceable configuration memory
- RS-232 interface with COM server function for integrating serial devices
- Flexible routing
- Up to 10 parallel VPN tunnels (up to 250 possible with additional license as an option)
- Supports current certificates such as x509.v3
- Stateful inspection firewall for dynamic filtering
- Extended temperature rating

Commercial data

Item number	1010461
Packing unit	1 pc
Minimum order quantity	1 pc
Sales key	DN25
Product key	DNC424
GTIN	4055626484143
Weight per piece (including packing)	662.5 g
Weight per piece (excluding packing)	630.1 g
Customs tariff number	85176200
Country of origin	DE

1010461

<https://www.phoenixcontact.com/us/products/1010461>

Technical data

Dimensions

Width	45 mm
Height	130 mm
Depth	114 mm

Notes

Utilization restriction

CCCex note	Use in potentially explosive areas is not permitted in China.
------------	---

Material specifications

Material (Housing)	Metal
--------------------	-------

Interfaces

Signal	Ethernet
Web server	yes
Basic functions	Router with intelligent firewall and VPN for 10 tunnels (up to 250 supported with optional additional license), CIFS Integrity Monitoring (as an option), metal housing, slot for SD memory card

Data: Ethernet interface, 10/100Base-T(X) in accordance with IEEE 802.3

Transmission speed	10/100 Mbps (auto negotiation)
Connection method	RJ45
No. of channels	6
Transmission length	100 m (shielded twisted pair)
Protocols supported	TCP/IP, UDP/IP, FTP, HTTP
Auxiliary protocols	ARP, DHCP, PING (ICMP), SNMP V1, SMTP

Data: V.24 (RS-232) interface in acc. with ITU-T V.28, EIA/TIA-232, DIN 66259-1

Serial transmission speed	9.6; 19.2; 38.4; 57.6; 115.2 kbps
Connection method	D-SUB 9 plug
Transmission length	15 m
File format/coding	UART/NRZ: 8 Data, 1/2 Stop, None/Even/Odd Parity
Data flow control/protocols	Software handshake, Xon/Xoff or hardware handshake RTS/CTS

Wireless

Interface description	LTE (FDD)
Frequency range	700 MHz (LTE B13) 1700 MHz (LTE B4)
Data rate	≤ 150 Mbps (LTE, DL) ≤ 50 Mbps (LTE, UL)
Antenna	50 Ω impedance SMA antenna socket
Antenna connection method	SMA (female)

TC MGUARD RS4000 4G VZW VPN - Router



1010461

<https://www.phoenixcontact.com/us/products/1010461>

SIM Interface	1.8 volt, 3 volt
LTE	CAT4
Country support	USA

System properties

Functionality

Basic functions	Router with intelligent firewall and VPN for 10 tunnels (up to 250 supported with optional additional license), CIFS Integrity Monitoring (as an option), metal housing, slot for SD memory card
-----------------	--

System requirements

Supported browsers	HTTPS support required
--------------------	------------------------

Input data

Digital

Description of the input	Digital input
Number of inputs	3
Voltage input signal	10 V DC ... 30 V DC
Current input signal	5 mA

Output data

Signal

Output name	Digital output, resistive load
Number of outputs	3
Voltage output signal	10 V DC ... 30 V DC (depending on the operating voltage)
Current output signal	≤ 125 mA (Short-circuit-proof)

Product properties

Product type	Security router for the DIN rail
Application	Ethernet RS-232
MTTF	532 Years (SN 29500 standard, temperature 25°C, operating cycle 21%) 250 Years (SN 29500 standard, temperature 40°C, operating cycle 34.25%) 104 Years (SN 29500 standard, temperature 40°C, operating cycle 100%)

Insulation characteristics

Degree of pollution	2
---------------------	---

Security functions

1:1 Network Address Translation (NAT) in the VPN	supported
Number of VPN tunnels	10 (up to 250 tunnels with additional license as an option)
Authentication	X.509v3 certificates with RSA or PSK

TC MGUARD RS4000 4G VZW VPN - Router



1010461

<https://www.phoenixcontact.com/us/products/1010461>

Data integrity	MD5, SHA-1
Dynamic Host Configuration Protocol (DHCP) support	Server or Relay Agent
Filtering	MAC addresses
	IP addresses
	Ports
	Protocols
Firewall data throughput	max. 124 Mbps (Router mode, default firewall rules, bidirectional throughput)
	max. 58 Mbps (Stealth mode, default firewall rules, bidirectional throughput)
Firewall rules	Configurable stateful inspection firewall with full scope of functions
Basic functions	Router with intelligent firewall and VPN for 10 tunnels (up to 250 supported with optional additional license), CIFS Integrity Monitoring (as an option), metal housing, slot for SD memory card
Internet Protocol Security (IPsec) mode	ESP tunnel / ESP transport
Link Layer Discovery Protocol (LLDP)	As per protocol 802.2
Network Time Protocol (NTP) client	Client
Remote Syslog Logging	on external server
Routing	Standard routing
	NAT
	1:1-NAT
	Port forwarding
Protection against	IP spoofing, DoS and Syn Flood Protection
Encryption methods	DES, 3DES, AES-128, -192, -256
Virtual private network (VPN) throughput	max. 40 Mbps (Router)
	max. 26 Mbps (Stealth mode, VPN bidirectional throughput)

Functions

Basic functions	Router with intelligent firewall and VPN for 10 tunnels (up to 250 supported with optional additional license), CIFS Integrity Monitoring (as an option), metal housing, slot for SD memory card
Supported browsers	HTTPS support required

Security functions

1:1 Network Address Translation (NAT) in the VPN	supported
Number of VPN tunnels	10 (up to 250 tunnels with additional license as an option)
Authentication	X.509v3 certificates with RSA or PSK
Data integrity	MD5, SHA-1
Dynamic Host Configuration Protocol (DHCP) support	Server or Relay Agent
Filtering	MAC addresses
	IP addresses
	Ports
	Protocols
Firewall data throughput	max. 124 Mbps (Router mode, default firewall rules, bidirectional throughput)

TC MGUARD RS4000 4G VZW VPN - Router



1010461

<https://www.phoenixcontact.com/us/products/1010461>

	max. 58 Mbps (Stealth mode, default firewall rules, bidirectional throughput)
Firewall rules	Configurable stateful inspection firewall with full scope of functions
Basic functions	Router with intelligent firewall and VPN for 10 tunnels (up to 250 supported with optional additional license), CIFS Integrity Monitoring (as an option), metal housing, slot for SD memory card
Internet Protocol Security (IPsec) mode	ESP tunnel / ESP transport
Link Layer Discovery Protocol (LLDP)	As per protocol 802.2
Network Time Protocol (NTP) client	Client
Remote Syslog Logging	on external server
Routing	Standard routing
	NAT
	1:1-NAT
	Port forwarding
Protection against	IP spoofing, DoS and Syn Flood Protection
Encryption methods	DES, 3DES, AES-128, -192, -256
Virtual private network (VPN) throughput	max. 40 Mbps (Router)
	max. 26 Mbps (Stealth mode, VPN bidirectional throughput)

Electrical properties

Electrical isolation	VCC // PE
Mains type	Cellular communication
Test voltage data interface/data interface	1 kV (50 Hz, 1 min., manufacturer's declaration)
Test voltage data interface/power supply	1 kV (50 Hz, 1 min., manufacturer's declaration)

Supply

Supply voltage range	11 V DC ... 36 V DC (via pluggable COMBICON screw terminal block)
Typical current consumption	< 320 mA (24 V DC)
Max. current consumption	1.8 A (at 11 V DC (incl. 3 x 125 mA for the outputs))

Function

Management	Web-based management, SNMP
------------	----------------------------

Connection data

Supply

Conductor cross-section, flexible, with ferrule, without plastic sleeve	0.25 mm ² ... 2.5 mm ²
Conductor cross-section, flexible, with ferrule, with plastic sleeve	0.25 mm ² ... 2.5 mm ²
Conductor cross-section, flexible	0.20 mm ² ... 2.50 mm ²
Conductor cross-section, rigid	0.20 mm ² ... 2.50 mm ²
Conductor cross-section AWG	24 ... 14
Stripping length	7.00 mm
Tightening torque	0.56 Nm ... 0.79 Nm

1010461

<https://www.phoenixcontact.com/us/products/1010461>

Environmental and real-life conditions

Ambient conditions

Degree of protection	IP20 (Manufacturer's declaration)
Ambient temperature (operation)	-40 °C ... 60 °C
Ambient temperature (storage/transport)	-40 °C ... 70 °C
Altitude	≤ 5000 m (For restrictions, see the manufacturer's declaration for altitude operation)
Permissible humidity (operation)	5 % ... 95 % (non-condensing)

Standards and regulations

Free from substances that could impair the application of coating	in accordance with VW-AUDI-Seat central standard P-VW 3.10.7 57 65 0
---	--

Approvals

UL, USA/Canada

Identification	Class I, Zone 2, AEx nA IIC T4 / Ex nA IIC T4 Gc Class I, Div. 2, Groups A, B, C, D T4
----------------	---

Corrosive gas test

Identification	ISA-S71.04-1985 G3 Harsh Group A
----------------	----------------------------------

Wireless approval USA, FCC

Certificate	N7NHL7518
-------------	-----------

Mounting

Mounting type	DIN rail mounting
---------------	-------------------

EMC data

Electromagnetic compatibility	Conformance with RED Directive 2014/53/EU
-------------------------------	---

Electrostatic discharge

Standards/regulations	EN 61000-4-2
-----------------------	--------------

Electrostatic discharge

Contact discharge	± 6 kV (Test Level 3)
Discharge in air	± 8 kV (Test Level 3)
Comments	Criterion B

Electromagnetic HF field

Standards/regulations	EN 61000-4-3
-----------------------	--------------

Electromagnetic HF field

Frequency range	80 MHz ... 3 GHz (Test Level 3)
Field intensity	10 V/m
Comments	Criterion A

Fast transients (burst)

TC MGUARD RS4000 4G VZW VPN - Router



1010461

<https://www.phoenixcontact.com/us/products/1010461>

Standards/regulations	EN 61000-4-4
Fast transients (burst)	
Input	± 2.2 kV (Test Level 3)
Signal	± 2.2 kV (Test Level 3)
Comments	Criterion B
Surge current load (surge)	
Standards/regulations	EN 61000-4-5
Surge current load (surge)	
Input	± 0.5 kV (DC supply)
Signal	± 1 kV (Data line, asymmetrical)
Comments	Criterion B
Conducted interference	
Standards/regulations	EN 61000-4-6
Conducted interference	
Frequency range	0.15 MHz ... 80 MHz
Comments	Criterion A
Voltage	10 V
Emitted interference	
Standards/regulations	EN 61000-6-4
Radio interference voltage in acc. with EN 55011	EN 55011 class A industrial area of application
Emitted radio interference in acc. with EN 55011	EN 55011 class A industrial area of application
Criteria	
Criterion A	Normal operating behavior within the specified limits.
Criterion B	Temporary impairment to operational behavior that is corrected by the device itself.

TC MGUARD RS4000 4G VZW VPN - Router

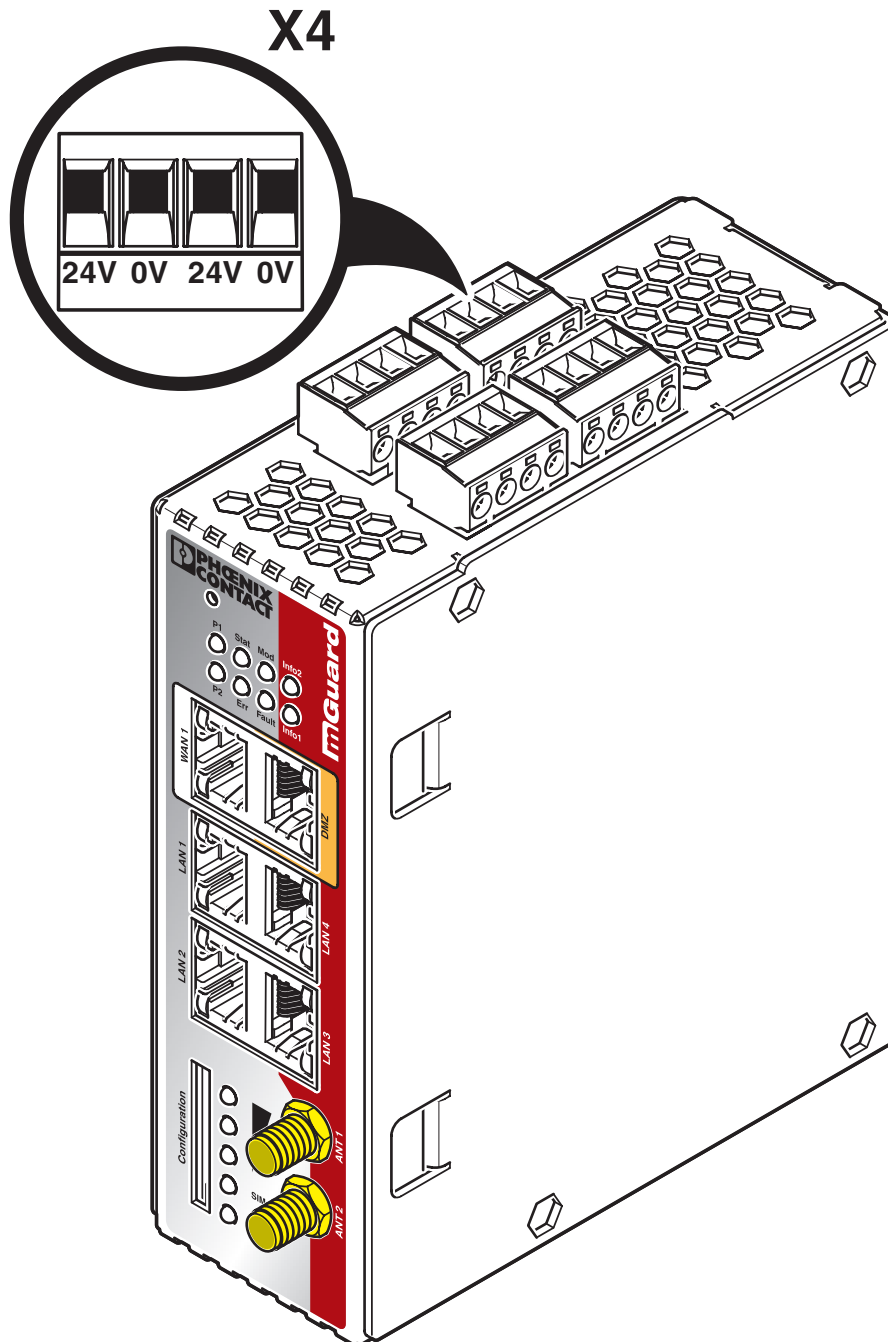


1010461

<https://www.phoenixcontact.com/us/products/1010461>

Drawings

Schematic diagram



Connecting the supply voltage

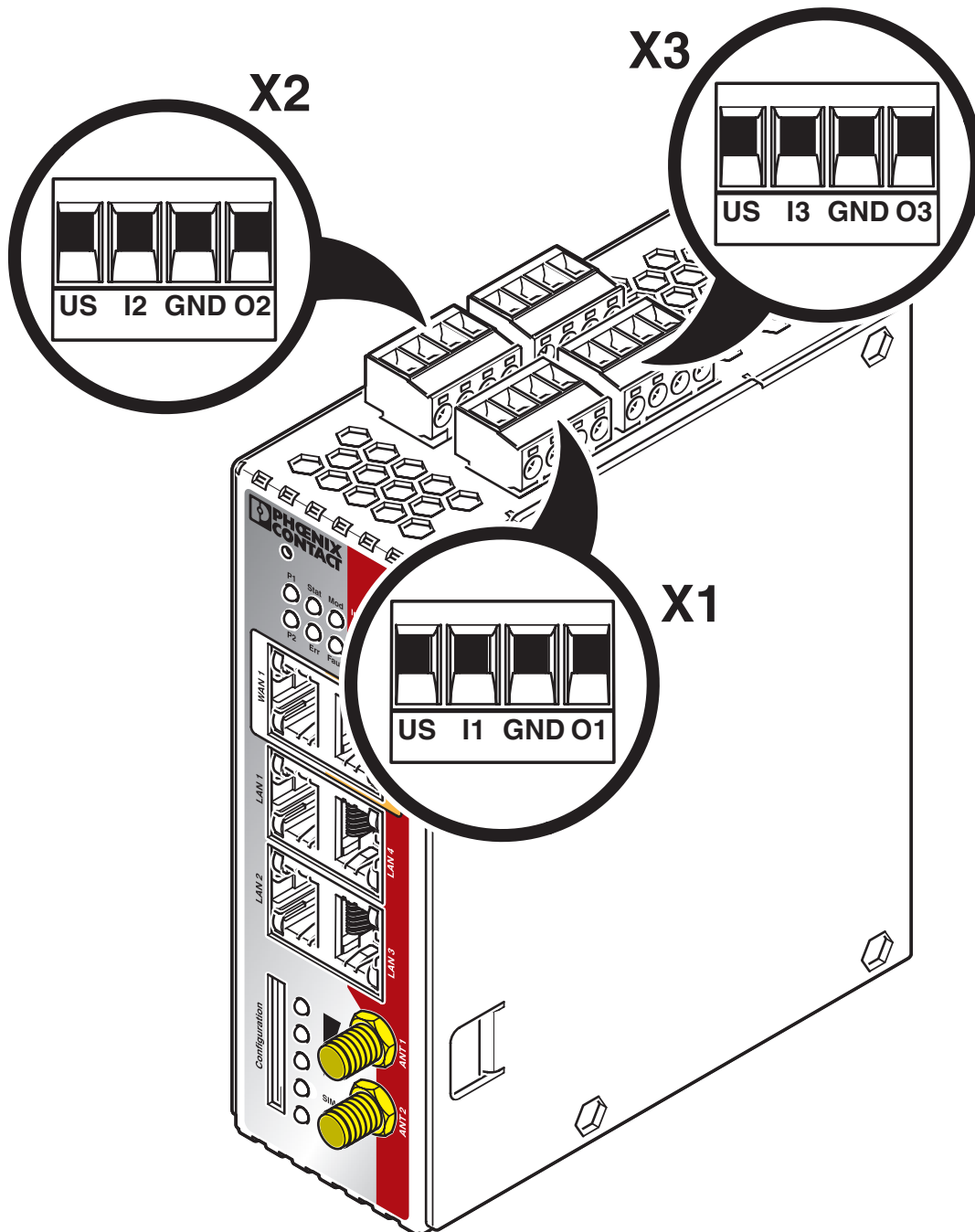
TC MGUARD RS4000 4G VZW VPN - Router



1010461

<https://www.phoenixcontact.com/us/products/1010461>

Schematic diagram

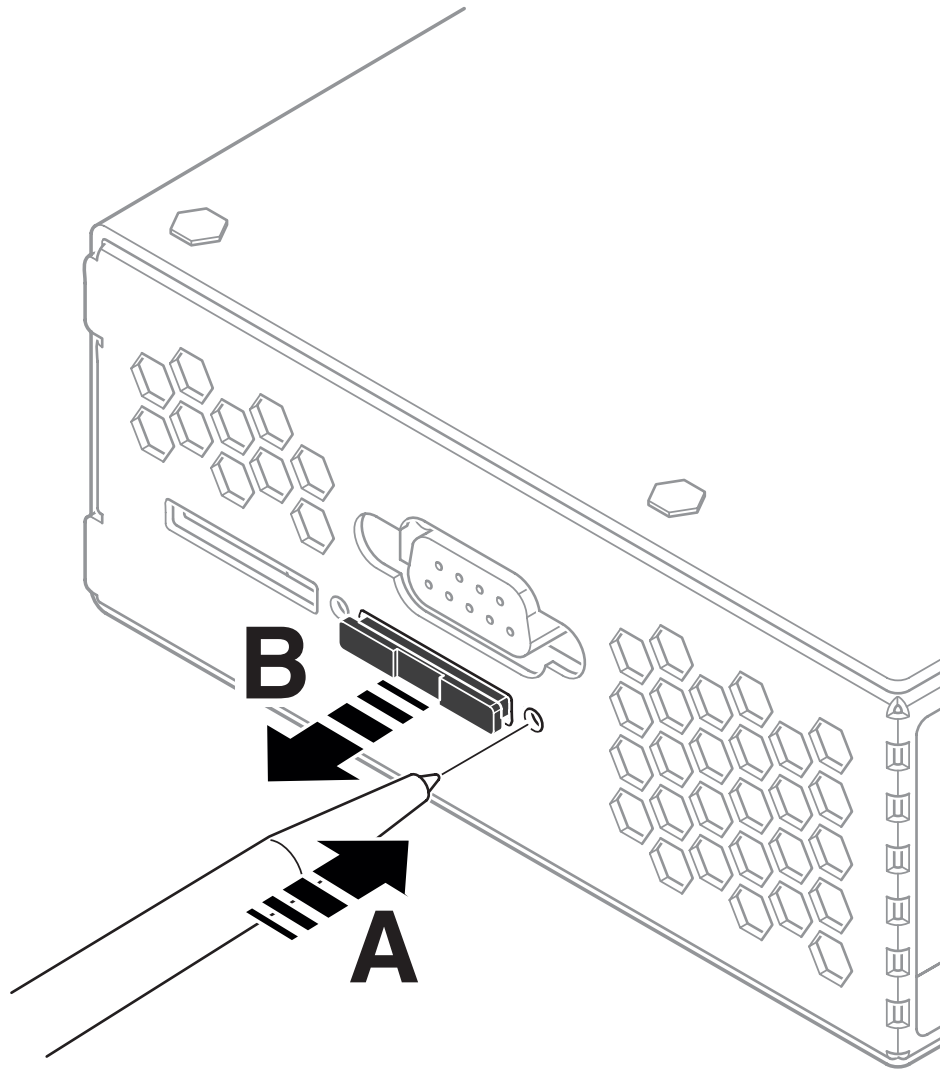


Service and signal contacts

1010461

<https://www.phoenixcontact.com/us/products/1010461>

Schematic diagram

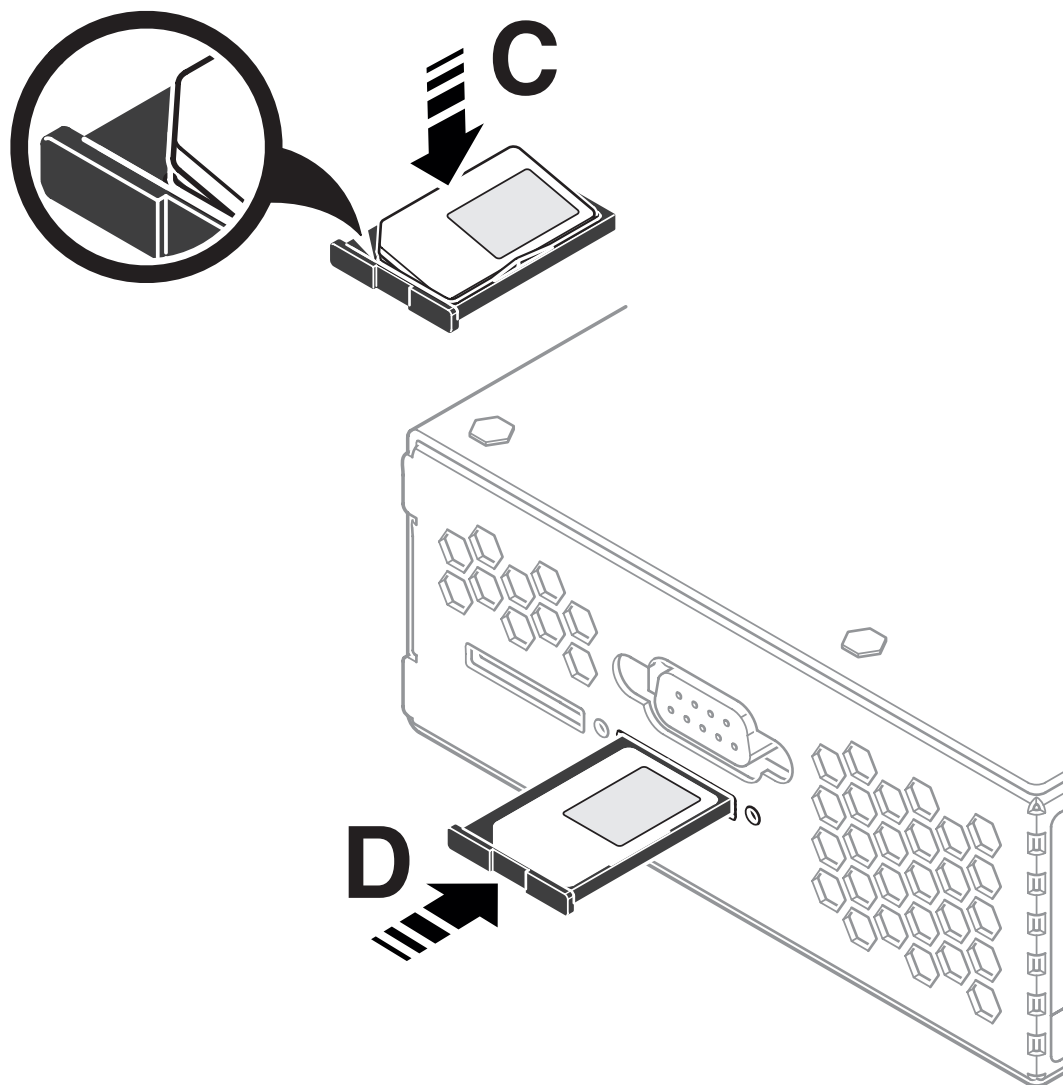


Remove SIM card holder

1010461

<https://www.phoenixcontact.com/us/products/1010461>

Schematic diagram



Insert the SIM card

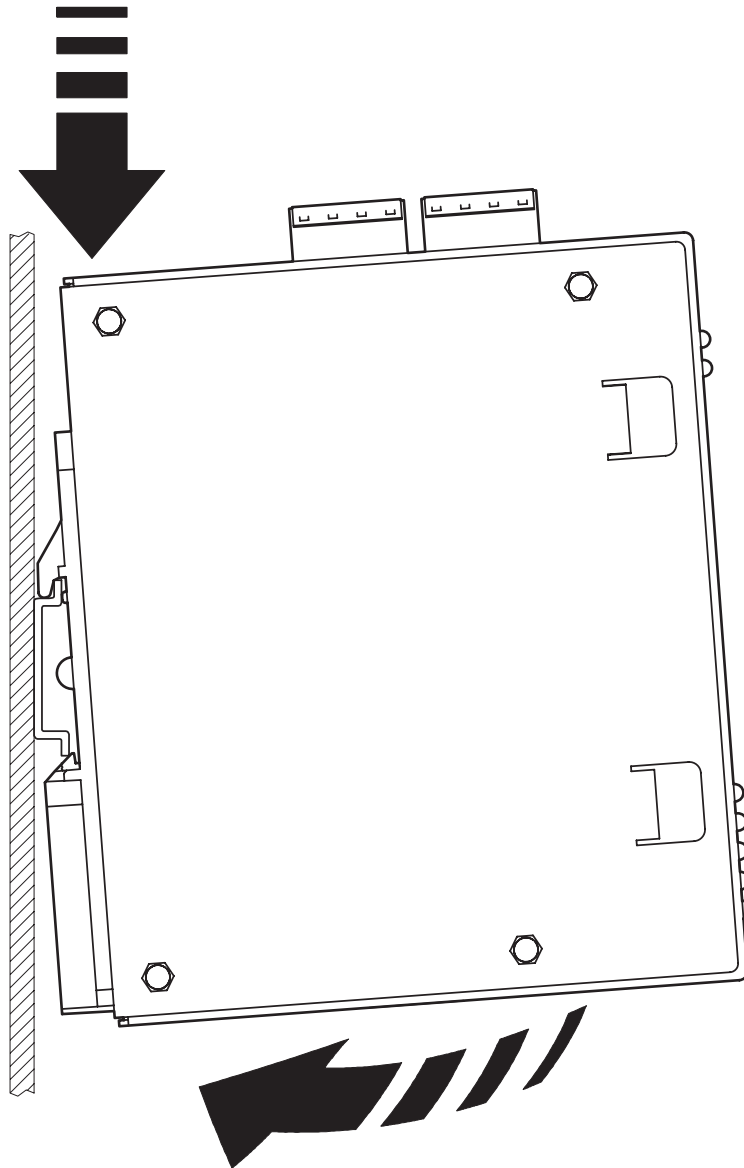
TC MGUARD RS4000 4G VZW VPN - Router

1010461

<https://www.phoenixcontact.com/us/products/1010461>



Schematic diagram



Mounting

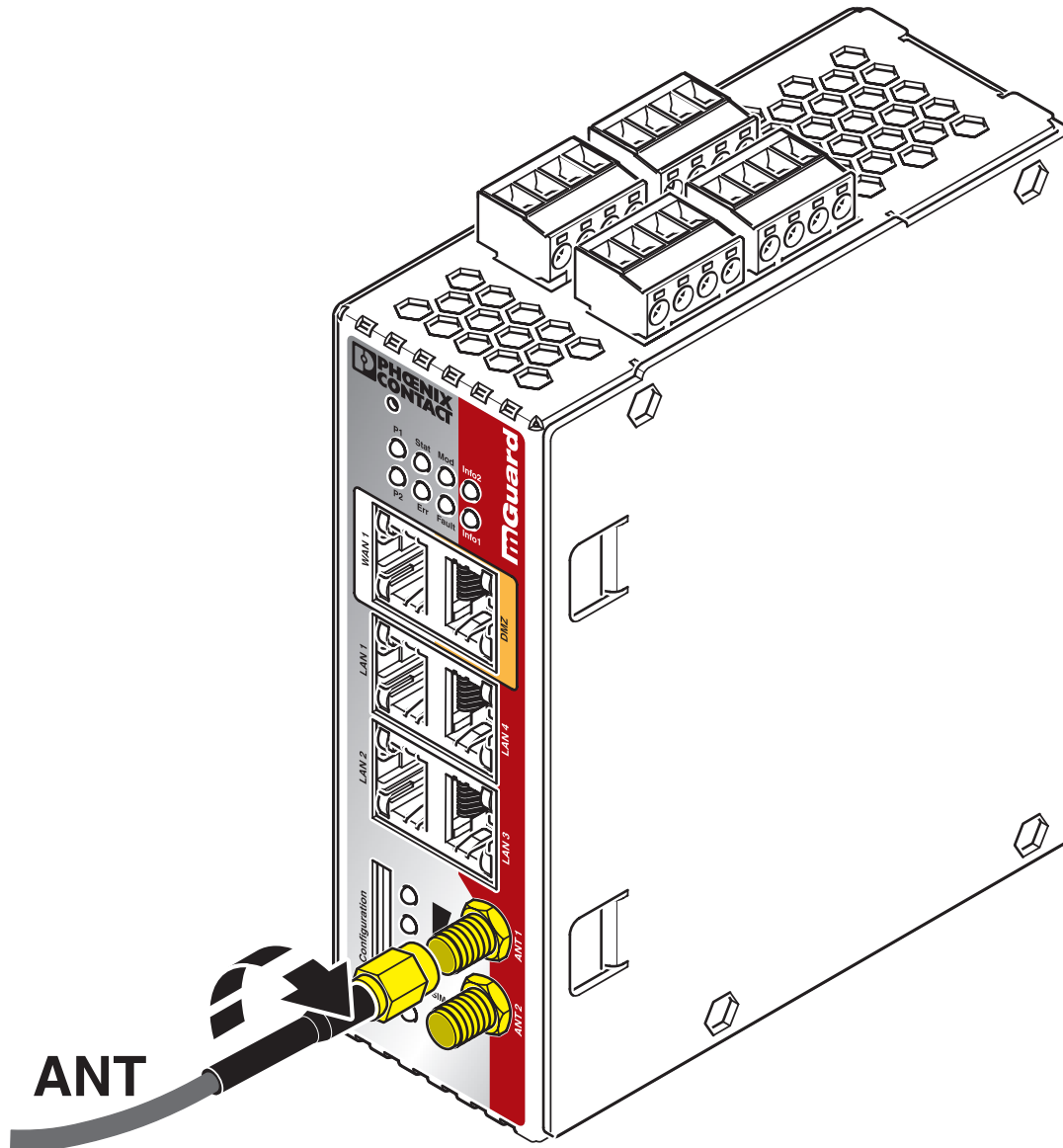
TC MGUARD RS4000 4G VZW VPN - Router



1010461

<https://www.phoenixcontact.com/us/products/1010461>

Schematic diagram



Connect the antenna

TC MGuard RS4000 4G VZW VPN - Router



1010461

<https://www.phoenixcontact.com/us/products/1010461>

Classifications

UNSPSC

UNSPSC 21.0	43222600
-------------	----------

1010461

<https://www.phoenixcontact.com/us/products/1010461>

Environmental product compliance

EU RoHS

Fulfills EU RoHS substance requirements	Yes
Exemption	6(c), 7(a), 7(c)-I

China RoHS

Environment friendly use period (EFUP)	EFUP-50
	An article-related China RoHS declaration table can be found in the download area for the respective article under "Manufacturer declaration". For all articles with EFUP-E, no China RoHS declaration table issued and required.

EU REACH SVHC

REACH candidate substance (CAS No.)	Lead(CAS: 7439-92-1)
-------------------------------------	----------------------

Phoenix Contact 2026 © - all rights reserved
<https://www.phoenixcontact.com>

Phoenix Contact USA
586 Fulling Mill Road
Middletown, PA 17057, United States
(+717) 944-1300
info@phoenixcon.com