

# PSR-MC38-2NO-1DO-24DC-SC - Safety relays



1009831

<https://www.phoenixcontact.com/us/products/1009831>

Please be informed that the data shown in this PDF document is generated from our online catalog. Please find the complete data in the user documentation. Our general terms of use for downloads are valid.



Safety relay for emergency stop, safety doors and light grids up to SIL 3, Cat. 4, PL e, 1- or 2-channel operation, automatic or manual, monitored start, 2 enabling current paths, 1 signal output, TBUS interface,  $U_S = 24 \text{ V DC}$ , pluggable screw terminal block

## Your advantages

- Up to Cat. 4/PL e in accordance with ISO 13849-1, SIL 3 in accordance with EN IEC 62061, SIL 3 in accordance with IEC 61508
- 1- and 2-channel control
- 2 enabling current paths, 1 digital signal output
- For emergency stop and safety door monitoring, plus evaluation of light grids
- TBUS interface for connecting CONTACTRON hybrid motor starters and MINI POWER power supplies

## Commercial data

Item number	1009831
Packing unit	1 pc
Minimum order quantity	1 pc
Sales key	DN01
Product key	DNA181
GTIN	4055626482705
Weight per piece (including packing)	212.33 g
Weight per piece (excluding packing)	169.38 g
Customs tariff number	85371098
Country of origin	DE

## Technical data

### Notes

#### Note on application

Note on application	Only for industrial use
---------------------	-------------------------

### Product properties

Product type	Safety relays
Product family	PSRmini
Application	Emergency stop
	Safety door
	Light grid
	Magnetic switch
	Transponder
Control	1 and 2 channel
Relay type	Electromechanical relay with force-guided contacts in accordance with IEC/EN 61810-3

### Insulation characteristics

Overvoltage category	II, III (See the section "Insulation coordination")
Degree of pollution	2

### Times

Typical response time	200 ms (automatic start)
	30 ms (manual, monitored start)
Typ. starting time with $U_S$	200 ms (when controlled via A1)
Typical release time	25 ms (when actuation is via the sensor circuit)
	60 ms (when controlled via A1)
Restart time	< 1 s (Boot time)
Recovery time	< 500 ms

### Electrical properties

Maximum power dissipation for nominal condition	16.6 W (at $U_S = 26.4$ V, $I_L^2 = 72$ A <sup>2</sup> )
Nominal operating mode	100% operating factor
Rated insulation voltage	250 V
Rated surge voltage/insulation	See data sheet, section "Insulation coordination".

### Supply

Designation	A1/A2
Rated control circuit supply voltage $U_S$	20.4 V DC ... 26.4 V DC
Rated control circuit supply voltage $U_S$	24 V DC -15 % / +10 % (provide external protection)
Rated control supply current $I_S$	typ. 75 mA
Power consumption at $U_S$	typ. 1.8 W
Inrush current	< 4 A ( $\Delta t = 3$ ms at $U_S$ )
Filter time	20 ms (at A1 in the event of voltage dips at $U_S$ )

# PSR-MC38-2NO-1DO-24DC-SC - Safety relays



1009831

<https://www.phoenixcontact.com/us/products/1009831>

Protective circuit	Serial protection against polarity reversal
	Suppressor diode

## Input data

Digital: Sensor circuit (S10, S12, S13, S22)

Description of the input	safety-related sensor inputs
Number of inputs	4
Input voltage range "1" signal	20.4 V DC ... 26.4 V DC
Inrush current	< 40 mA (typ. with $U_S$ at S10)
	< 300 mA (typ. with $U_S$ at S12, $\Delta t = 150$ ms)
	< 3 mA (typ. with $U_S$ at S13)
	> -300 mA (typ. with $U_S$ at S22, $\Delta t = 150$ ms)
Filter time	2 ms (At S10, S12, S13; test pulse width of low test pulses)
	1 s (At S10, S12, S13; test pulse rate of low test pulses)
	No brightness test pulses / high test pulses permitted.
Concurrence	$\infty$
Max. permissible overall conductor resistance	50 $\Omega$
Protective circuit	Suppressor diode
Current consumption	40 mA (typ. with $U_S$ at S10)
	45 mA (typ. with $U_S$ at S12)
	3 mA (typ. with $U_S$ at S13)
	-35 mA (typ. with $U_S$ at S22, $\Delta t = 150$ ms)

Digital: Start circuit (Y1, S34, S35)

Description of the input	non-safety-related
Number of inputs	3
Input voltage range "1" signal	20.4 V DC ... 26.4 V DC
Inrush current	< 60 mA (typ. with $U_S$ at Y1, $\Delta t = 150$ ms)
	< 270 mA (typ. with $U_S$ at S34, $\Delta t = 15$ ms)
	< 80 mA (typ. with $U_S$ at S35, $\Delta t = 25$ ms)
Filter time	No darkness test pulses / low test pulses permitted. No brightness test pulses / high test pulses permitted.
Max. permissible overall conductor resistance	50 $\Omega$
Protective circuit	Suppressor diode
Current consumption	typ. 10 mA (typ. with $U_S$ at Y1)
	typ. 34 $\mu$ A (typ. with $U_S$ at S35)

## Output data

Relay: Enabling current path (13/14, 23/24)

Output description	safety-related N/O contacts
	2 NO contacts each in series, without delay, floating
Number of outputs	2 (undelayed)
Contact switching type	2 enabling current paths
Contact material	AgSnO <sub>2</sub>

# PSR-MC38-2NO-1DO-24DC-SC - Safety relays



1009831

<https://www.phoenixcontact.com/us/products/1009831>

Switching voltage	min. 10 V AC/DC
	max. 250 V AC/DC (Observe the load curve)
Switching power	min. 100 mW
Inrush current	min. 10 mA
	max. 6 A
Switching capacity	5 A (24 V (DC13))
	5 A (250 V (AC15))
Limiting continuous current	6 A
Sq. Total current	72 A <sup>2</sup> (observe derating)
Switching frequency	max. 0.5 Hz
Mechanical service life	10x 10 <sup>6</sup> cycles
Output fuse	10 A gL/gG
	4 A gL/gG (for low-demand applications)

Signal: Y30

Output description	PNP
	non-safety-related
Number of outputs	1
Voltage	approx. 23.9 V DC (U <sub>s</sub> - 0.1 V)
Current	max. 100 mA
Maximum inrush current	500 mA (Δt = 1 ms at U <sub>s</sub> )
Protective circuit	Suppressor diode

## Connection data

Connection technology

pluggable	yes
-----------	-----

Conductor connection

Connection method	Screw connection
Conductor cross-section rigid	0.2 mm <sup>2</sup> ... 2.5 mm <sup>2</sup>
Conductor cross-section flexible	0.2 mm <sup>2</sup> ... 2.5 mm <sup>2</sup>
Conductor cross-section AWG	24 ... 12
Stripping length	7 mm
Screw thread	M3
Tightening torque	0.5 Nm ... 0.6 Nm

## Signaling

Status display	4 x LED (green)
Operating voltage display	1 x LED (green)

## Dimensions

Width	22.5 mm
Height	112.2 mm
Depth	114.5 mm

# PSR-MC38-2NO-1DO-24DC-SC - Safety relays



1009831

<https://www.phoenixcontact.com/us/products/1009831>

## Material specifications

Color (Housing)	yellow (RAL 1018)
Housing material	PA

## Characteristics

### Safety data

Stop category (EN 60204-1)	0
----------------------------	---

### Safety data: EN ISO 13849

Performance level (PL)	e
------------------------	---

### Safety data: IEC 61508 - High demand

Safety Integrity Level (SIL)	3
------------------------------	---

### Safety data: IEC 61508 - Low demand

Safety Integrity Level (SIL)	3
------------------------------	---

### Safety data: EN IEC 62061

Safety Integrity Level (SIL)	3
------------------------------	---

## Environmental and real-life conditions

### Ambient conditions

Degree of protection	IP20
Min. degree of protection of inst. location	IP54
Ambient temperature (operation)	-20 °C ... 55 °C (observe derating)
Ambient temperature (storage/transport)	-40 °C ... 70 °C
Maximum altitude	≤ 2000 m (Above sea level)
Max. permissible humidity (storage/transport)	75 % (on average, 85% infrequently, non-condensing)
Max. permissible relative humidity (operation)	75 % (on average, 85% infrequently, non-condensing)
Shock	15g
Vibration (operation)	10 Hz ... 150 Hz, 2g

## Approvals

### CE

Identification	CE-compliant
----------------	--------------

## Mounting

Mounting type	DIN rail mounting
Assembly note	See derating curve
Mounting position	vertical or horizontal

# PSR-MC38-2NO-1DO-24DC-SC - Safety relays

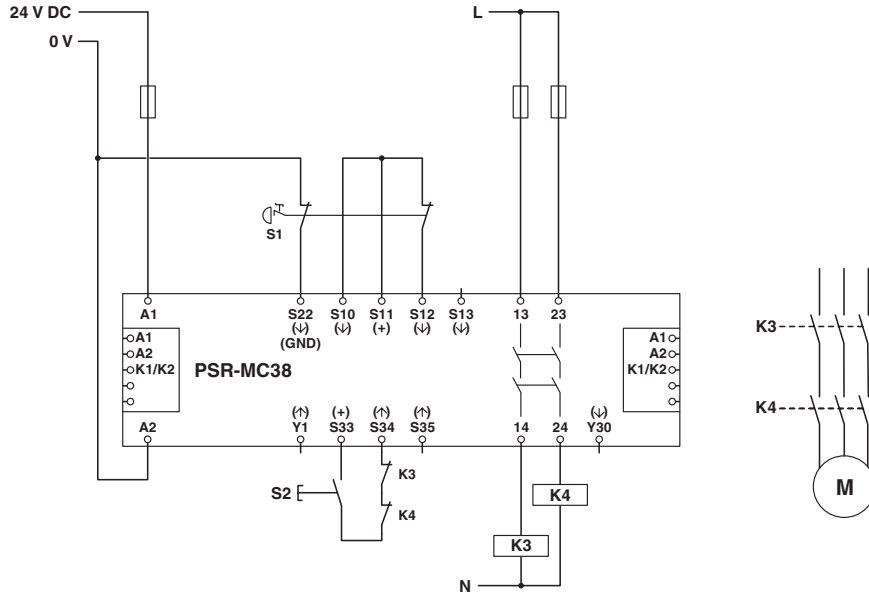


1009831

<https://www.phoenixcontact.com/us/products/1009831>

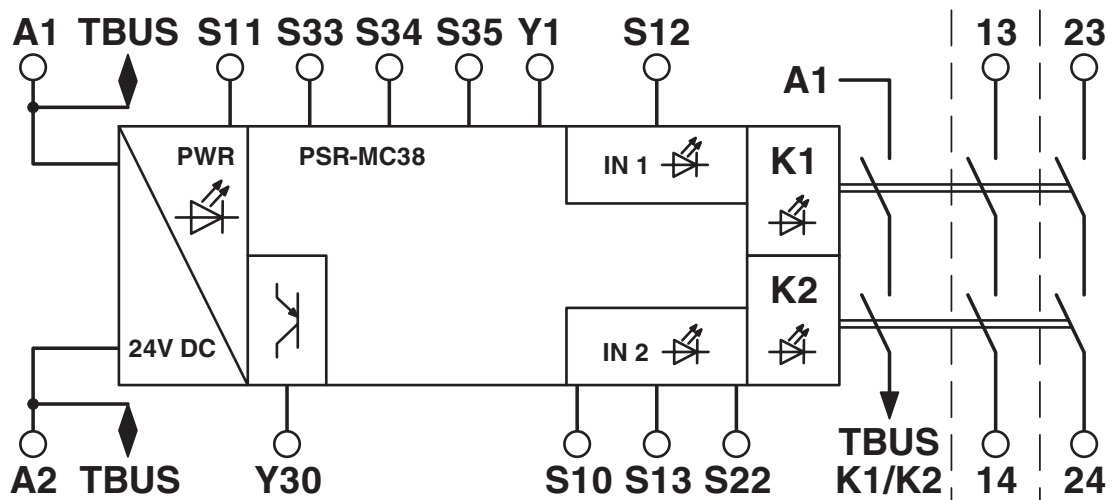
## Drawings

Circuit diagram



## Example application

Block diagram



## Block diagram

# PSR-MC38-2NO-1DO-24DC-SC - Safety relays



1009831

<https://www.phoenixcontact.com/us/products/1009831>

## Approvals

To download certificates, visit the product detail page: <https://www.phoenixcontact.com/us/products/1009831>



**cULus Listed**

Approval ID: E140324



**Functional Safety**

Approval ID: 01/205/5651.02/24

# PSR-MC38-2NO-1DO-24DC-SC - Safety relays



1009831

<https://www.phoenixcontact.com/us/products/1009831>

## Classifications

### ECLASS

ECLASS-13.0	27371819
ECLASS-15.0	27371819
ECLASS-15.0 ASSET	27250101

### ETIM

ETIM 10.0	EC001449
-----------	----------

### UNSPSC

UNSPSC 21.0	39122200
-------------	----------

1009831

<https://www.phoenixcontact.com/us/products/1009831>

## Environmental product compliance

### EU RoHS

Fulfills EU RoHS substance requirements	Yes
Exemption	7(a), 7(c)-I

### China RoHS

Environment friendly use period (EFUP)	EFUP-50
	An article-related China RoHS declaration table can be found in the download area for the respective article under "Manufacturer declaration". For all articles with EFUP-E, no China RoHS declaration table issued and required.

### EU REACH SVHC

REACH candidate substance (CAS No.)	Lead(CAS: 7439-92-1)
SCIP	4d970b5f-c2f8-453e-ae7-b21159620cd5

Phoenix Contact 2026 © - all rights reserved

<https://www.phoenixcontact.com>

Phoenix Contact USA  
586 Fulling Mill Road  
Middletown, PA 17057, United States  
(+717) 944-1300  
[info@phoenixcon.com](mailto:info@phoenixcon.com)