

# ME MAX 45 MT G 3-3 YE - Intermediate element



1008044

<https://www.phoenixcontact.com/us/products/1008044>

Please be informed that the data shown in this PDF document is generated from our online catalog. Please find the complete data in the user documentation. Our general terms of use for downloads are valid.



DIN rail housing, Intermediate element, tall design, without vents, width: 22.6 mm, height: 99 mm, depth: 112.85 mm, color: yellow (similar RAL 1018)

## Your advantages

- Easy installation
- Variety of connection technology
- Can be mounted on the DIN rail

## Commercial data

Item number	1008044
Packing unit	50 pc
Minimum order quantity	50 pc
Note	Made to order (non-returnable)
Product key	ACHABZ
GTIN	4055626479965
Weight per piece (including packing)	28 g
Weight per piece (excluding packing)	28 g
Country of origin	DE

# ME MAX 45 MT G 3-3 YE - Intermediate element



1008044

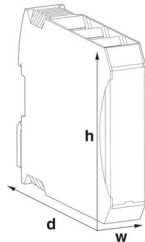
<https://www.phoenixcontact.com/us/products/1008044>

## Technical data

### Product properties

Product type	Complete housing center part
Housing type	DIN rail housing
Housing series	ME-MAX
Product family	ME MAX.. G 3-3
Number of rows	3
Number (Connection openings)	6
Ventilation openings present	no
Anzahl der Etagen Housing (Makro)	3 (Both sides)

### Dimensions

Dimensional drawing	
Width	22.6 mm
Height	99 mm
Depth	112.85 mm
Depth from top edge of DIN rail	107 mm

### Material specifications

Color (Housing)	yellow (RAL 1018)
Flammability rating according to UL 94	V0
CTI according to IEC 60112	600
Housing material	PA

### Environmental and real-life conditions

#### Ambient conditions

Max. IP code to attain	IP20
Ambient temperature (operation)	-40 °C ... 105 °C (depending on power dissipation)
Ambient temperature (storage/transport)	-40 °C ... 55 °C
Ambient temperature (assembly)	-5 °C ... 100 °C
Relative humidity (storage/transport)	80 %

### PCB data

Number of PCB holders	2
Type of PCB mount	Latching

# ME MAX 45 MT G 3-3 YE - Intermediate element



1008044

<https://www.phoenixcontact.com/us/products/1008044>

## Mounting

Mounting type	DIN rail mounting
---------------	-------------------

## Packaging specifications

Type of packaging	packed in cardboard
Outer packaging type	Carton

# ME MAX 45 MT G 3-3 YE - Intermediate element

1008044

<https://www.phoenixcontact.com/us/products/1008044>



## Drawings

Dimensional drawing



Schematic figure for illustrating the item dimensions. The figure is not of the desired product. For further details, refer to the product drawings in the "Downloads" tab.

# ME MAX 45 MT G 3-3 YE - Intermediate element



1008044

<https://www.phoenixcontact.com/us/products/1008044>

## Classifications

### ECLASS

ECLASS-13.0

27190604

### ETIM

ETIM 9.0

EC002779

### UNSPSC

UNSPSC 21.0

31261500

# ME MAX 45 MT G 3-3 YE - Intermediate element



1008044

<https://www.phoenixcontact.com/us/products/1008044>

## Environmental product compliance

### EU RoHS

Fulfills EU RoHS substance requirements	Yes, No exemptions
---	--------------------

### China RoHS

Environment friendly use period (EFUP)	EFUP-E
	No hazardous substances above the limits

### EU REACH SVHC

REACH candidate substance (CAS No.)	No substance above 0.1 wt%
-------------------------------------	----------------------------

### EF3.1 Climate Change

CO2e kg	0.162 kg CO2e
---------	---------------

Phoenix Contact 2026 © - all rights reserved  
<https://www.phoenixcontact.com>

Phoenix Contact USA  
586 Fulling Mill Road  
Middletown, PA 17057, United States  
(+717) 944-1300  
[info@phoenixcon.com](mailto:info@phoenixcon.com)