

FB-MUX/HS/DAIO/PA - Multiplexer



1005329

<https://www.phoenixcontact.com/us/products/1005329>

Please be informed that the data shown in this PDF document is generated from our online catalog. Please find the complete data in the user documentation. Our general terms of use for downloads are valid.



The FB-MUX/HS/DAIO/PA head station can be used with up to three, 6-channel Digital-Analog-Input-Output modules (RAD-DAIO6-IFS). This configuration can be used as a combination digital and analog I/O solution.

Product description

The fieldbus PA multiplexer headstation allows the integration of standard Radioline I/O modules to a Profibus PA network. The FB-MUX/HS/PA has five profile software versions for different IO configurations.

Your advantages

- Connection of all I/O field signals with standard PROFIBUS PA cable
- Easy integration into host system with an EDD-, GSD-, or DTM-data file
- Scalable according to application needs
- UL listed
- Five application-specific head stations allow simple implementation in the field
- Suitable for ATEX Zone 2
- No software needed thanks to a pre-configured head station
- IECEx CoC

Commercial data

| | |
|--------------------------------------|---------------|
| Item number | 1005329 |
| Packing unit | 5 pc |
| Minimum order quantity | 1 pc |
| Sales key | DN11 |
| Product key | DNC135 |
| GTIN | 4055626475028 |
| Weight per piece (including packing) | 182.4 g |
| Weight per piece (excluding packing) | 182.4 g |
| Customs tariff number | 85176200 |
| Country of origin | US |

Technical data

Notes

Utilization restriction

| | |
|------------|---|
| CCCex note | Use in potentially explosive areas is not permitted in China. |
|------------|---|

Product properties

| | |
|--------------|---------------------|
| Product type | Interface converter |
|--------------|---------------------|

Insulation characteristics

| | |
|----------------------|----|
| Overvoltage category | II |
| Degree of pollution | 2 |

Connection data

| | |
|----------------------------------|---|
| Connection method | Screw connection |
| Stripping length | 7 mm |
| Screw thread | M3 |
| Conductor cross-section rigid | 0.2 mm ² ... 2.5 mm ² |
| Conductor cross-section flexible | 0.2 mm ² ... 2.5 mm ² |
| Conductor cross-section AWG | 24 ... 14 |
| Tightening torque | 0.5 Nm ... 0.6 Nm |

Interfaces

Data: PROFIBUS PA

| | |
|-----------------------|----------------|
| Number of connections | 1 |
| Connection method | Terminal block |

Dimensions

| | |
|--------|----------|
| Width | 17.5 mm |
| Height | 114.5 mm |
| Depth | 99 mm |

Material specifications

| | |
|--|------------------|
| Color | green (RAL 6021) |
| Flammability rating according to UL 94 | V0 |
| Housing material | PA 6.6-FR |

Environmental and real-life conditions

Ambient conditions

| | |
|---|------------------|
| Degree of protection | IP20 |
| Ambient temperature (operation) | -40 °C ... 70 °C |
| Ambient temperature (storage/transport) | -40 °C ... 85 °C |
| Altitude | < 2000 m |

FB-MUX/HS/DAIO/PA - Multiplexer



1005329

<https://www.phoenixcontact.com/us/products/1005329>

| | |
|----------------------------------|--------------------------------|
| Permissible humidity (operation) | 20 % ... 95 % (non-condensing) |
|----------------------------------|--------------------------------|

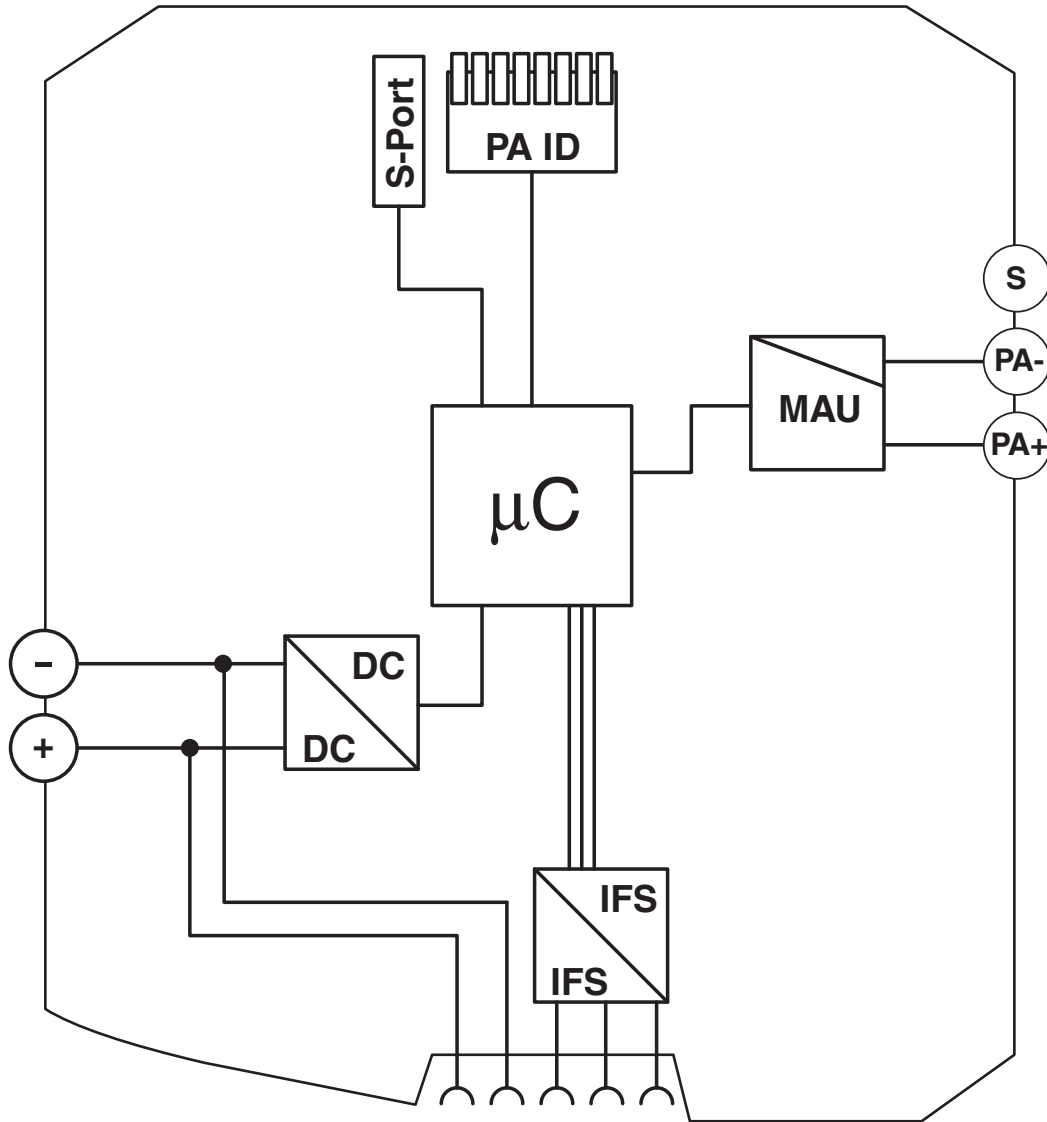
FB-MUX/HS/DAIO/PA - Multiplexer

1005329

<https://www.phoenixcontact.com/us/products/1005329>

Drawings

Block diagram



FB-MUX/HS/DAIO/PA - Multiplexer



1005329

<https://www.phoenixcontact.com/us/products/1005329>

Classifications

ECLASS

| | |
|-------------|----------|
| ECLASS-13.0 | 27242208 |
|-------------|----------|

UNSPSC

| | |
|-------------|----------|
| UNSPSC 21.0 | 43222600 |
|-------------|----------|

1005329

<https://www.phoenixcontact.com/us/products/1005329>

Environmental product compliance

EU RoHS

| | |
|---|--------------------|
| Fulfills EU RoHS substance requirements | Yes |
| Exemption | 6(c), 7(a), 7(c)-I |

China RoHS

| | |
|--|---|
| Environment friendly use period (EFUP) | EFUP-50 |
| | An article-related China RoHS declaration table can be found in the download area for the respective article under "Manufacturer declaration". For all articles with EFUP-E, no China RoHS declaration table issued and required. |

EU REACH SVHC

| | |
|-------------------------------------|--------------------------------------|
| REACH candidate substance (CAS No.) | Lead(CAS: 7439-92-1) |
| SCIP | 6f58960d-606b-425a-8107-73266d51f353 |

Phoenix Contact 2026 © - all rights reserved

<https://www.phoenixcontact.com>

Phoenix Contact USA
586 Fulling Mill Road
Middletown, PA 17057, United States
(+717) 944-1300
info@phoenixcon.com