

CK1,6-BR-1,00BU OIC AG - Crimp contact



1004381

<https://www.phoenixcontact.com/us/products/1004381>

Please be informed that the data shown in this PDF document is generated from our online catalog. Please find the complete data in the user documentation. Our general terms of use for downloads are valid.



Crimp contact, Socket, rolled, contact diameter: 1.6 mm, connection cross section: 0.34 mm² ... 1 mm², AWG 22...17 , contact material: Cu alloy

Commercial data

Item number	1004381
Packing unit	7,000 pc
Minimum order quantity	7,000 pc
Sales key	BF65
Product key	AF7AIB
GTIN	4055626472577
Weight per piece (including packing)	22.22 g
Weight per piece (excluding packing)	22.22 g
Customs tariff number	85366990
Country of origin	TR

1004381

<https://www.phoenixcontact.com/us/products/1004381>

Technical data

Notes

Assembly note	max. crimping speed for 1 mm ² corresponds to a cycle time of 1 second
Assembly note	<p>Note on crimp connection technology:</p> <p>For flexible wires only. The specified conductor cross-sections refer to the nominal cross-section of the cable used.</p> <p>The wiring space of the crimp connection technology is designed for fine-stranded cables in accordance with VDE 0295 Class 5. Deviating cable structures (e.g., Class 1.2 and 6 or AWG cables) should be checked before use.</p>

Product properties

Product type	Crimp contact
Contact material type	rolled

Connection data

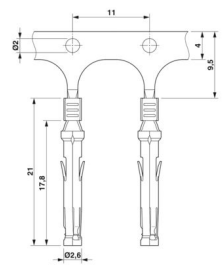
Connection technology	
Contact connection type	Socket
Connection method	Crimp connection

Conductor connection	
Stripping length	4 mm
Connection cross section	0.34 mm ² ... 1 mm ²
Connection cross section AWG	22 ... 17

Material specifications

Material Contact	Cu alloy (nickel-plated)
Material Contact surface	Ag

Dimensions

Dimensional drawing	
Length [l]	21 mm
Diameter (Contact diameter)	1.6 mm

Mechanical properties

CK1,6-BR-1,00BU OIC AG - Crimp contact



1004381

<https://www.phoenixcontact.com/us/products/1004381>

Mechanical data

Insertion/withdrawal cycles	≥ 500
-----------------------------	-------

Environmental and real-life conditions

Ambient conditions

Ambient temperature (operation)	-40 °C ... 125 °C
---------------------------------	-------------------

CK1,6-BR-1,00BU OIC AG - Crimp contact

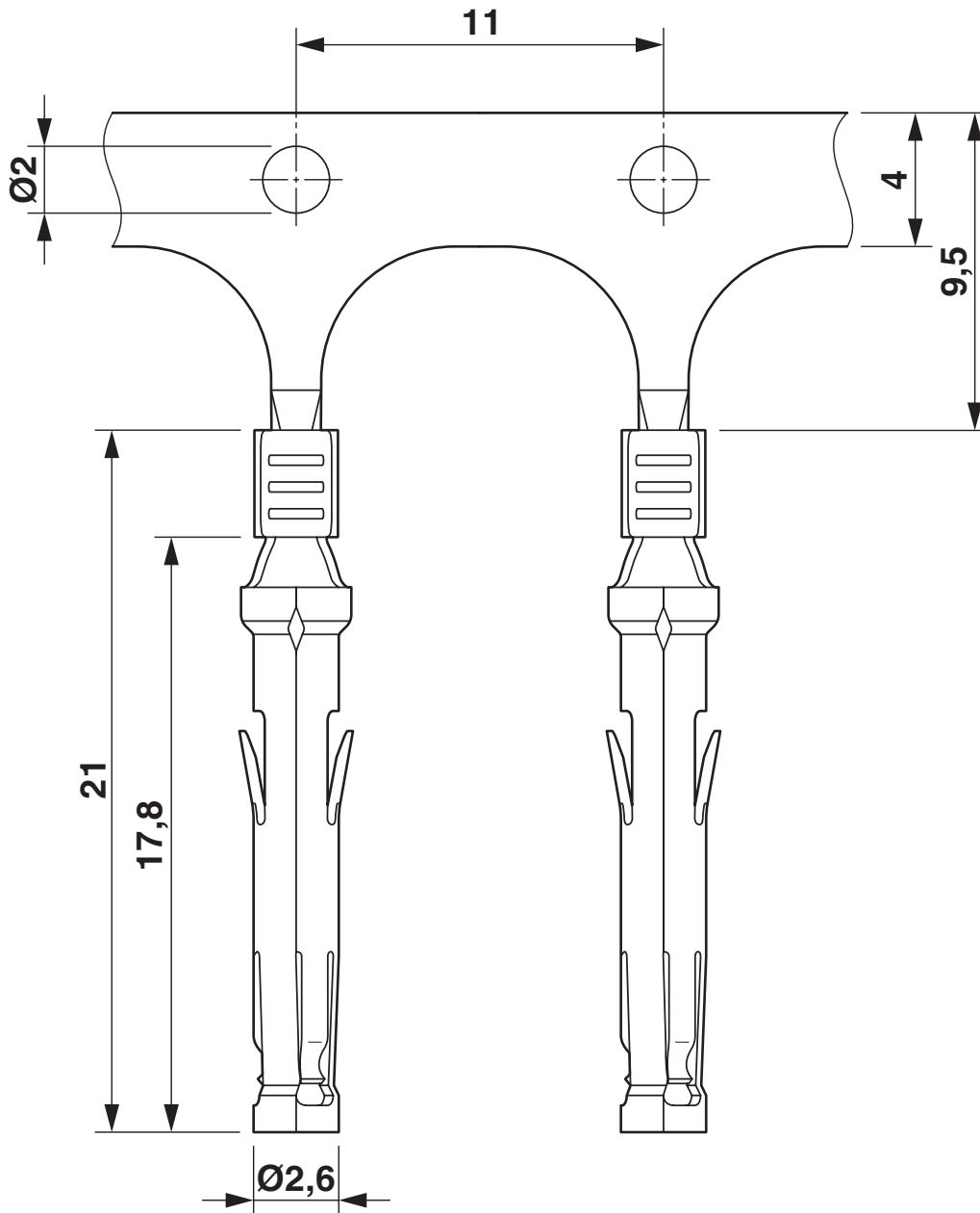


1004381

<https://www.phoenixcontact.com/us/products/1004381>

Drawings

Dimensional drawing



CK1,6-BR-1,00BU OIC AG - Crimp contact



1004381

<https://www.phoenixcontact.com/us/products/1004381>

Classifications

ECLASS

ECLASS-13.0	27440204
ECLASS-15.0	27440204

ETIM

ETIM 10.0	EC000796
-----------	----------

UNSPSC

UNSPSC 21.0	39121500
-------------	----------

CK1,6-BR-1,00BU OIC AG - Crimp contact



1004381

<https://www.phoenixcontact.com/us/products/1004381>

Environmental product compliance

EU RoHS

Fulfills EU RoHS substance requirements	Yes, No exemptions
---	--------------------

China RoHS

Environment friendly use period (EFUP)	EFUP-E
	No hazardous substances above the limits

EU REACH SVHC

REACH candidate substance (CAS No.)	No substance above 0.1 wt%
-------------------------------------	----------------------------

Phoenix Contact 2026 © - all rights reserved
<https://www.phoenixcontact.com>

Phoenix Contact USA
586 Fulling Mill Road
Middletown, PA 17057, United States
(+717) 944-1300
info@phoenixcon.com